



20

21

we  
are  
pool

 **Steinbach**



# THIS IS WHAT MAKES THE SUMMER REALLY FUN.

### **We are pool**

The name Steinbach stands for fantastic bathing pleasure in your own garden. Whether pools, filter systems, water care products, pool accessories, heaters, covers, solar showers or inflatable fun products: Only with Steinbach's broad product portfolio does summer become summer.

### **A traditional company in transition**

The production and wholesale company Steinbach, based in the Upper Austrian Schwertberg is one of Europe's leading suppliers of pools and accessories. By now Steinbach counts over 300 Employees at three locations. The pool chemicals are exclusively produced at the Schwertberg location, the production of the packaging is done by our own injection moulding machines. We gladly fulfill our business partners requirements such as private labeling.

### **Fast, efficient, sustainable**

Steinbach has fully automated robots with a specially programmed logistics software, pallet transport devices, storage and retrieval machines and fully automated transport routes. „Werk 2“ in Schwertberg has gained over 70,000 pallet bays due to a successful expansion. The always perfect coordination of internal processes guarantees partners and customers maximum flexibility and short delivery times.

Environmental protection and sustainability - e.g. through energy generation by means of photovoltaics and e-cars for our employees- are an integral part of our corporate philosophy. "Our products create a good atmosphere where people relax, enjoy life and pursue their passions", says Steinbach Managing Director Horst Lauß.

Sun, water, leisure- this is the world of Steinbach.



Steinbach "Werk 1"



Steinbach "Werk 2"

Price error, product improvements, printing and typographical errors are excepted. Illustrations are symbolic photos.



<b>06</b>	<b>Pools</b>
08	Steel wall pools
28	Steel wall pool accessories
34	Styrofoam pool complete sets
42	Styrofoam pool accessories
52	Above ground pools
62	Above ground pool accessories
<b>64</b>	<b>Whirlpools</b>
72	Whirlpool accessories
<b>74</b>	<b>Pool technique</b>
76	Filter systems & filter pumps
80	Sand & salt filter systems
82	Cartridge filters
83	Filter system accessories
<b>84</b>	<b>Solar showers</b>
<b>92</b>	<b>Pool cleaners</b>
<b>96</b>	<b>Pool heating</b>
<b>102</b>	<b>Pool accessories</b>
104	Pool cleaners
107	Thermometers
108	Dosing aids & testing kits
110	Hoses & single components
114	Pool covers
<b>118</b>	<b>Pool care</b>
120	Chemicals
124	Water care instruction
<b>126</b>	<b>Leisure &amp; sports</b>
128	Novelties
130	Mounts, floats, games
141	Inflatable furniture
<b>142</b>	<b>Airbeds</b>
147	Air pumps

# Pools



# Steel wall pool New Splasher Secure

The New Splasher Secure series is considered a perfect entry-level model in the area of steel wall pools. The coated steel wall pools are quick and easy to set up and are characterized by their outstanding value for money. The included hanging cartridge filter system provides everything for optimum cleaning. The included safety ladder not only offers a comfortable entry and exit option, but also prevents unauthorized accesses to the pool due to the removable steps. Please note that steel wall pools from the New Splasher Secure series are not suitable for ground installation and they must be removed during the winter season. Refreshment and fun for the whole family are guaranteed with these steel wall pools.

**Important notes:** Please note that this pool type requires the construction of a coving, this can be done with our polystyrene wedges or with sand. Please refer to the instructions for a detailed description of the fillet. This pool type is not suitable for underground installation. The easiest installation is with at least 3 persons. The approximate installation time is about 3 hours, depending on the equipment variant and size (without preparation work for substructure or filling). Watertightness/class: W0. EN 16582-1 / EN 16582-3. Effective water depth = depth - 10 cm. Prerequisite for pool installation is a suitably prepared installation site which must be absolutely flat and even. The base must be stable enough to withstand the weight of a filled pool regardless of the weather. In addition, the possibility must be created that leaking pool water can drain off without causing any damage. Due to the complexity of the product, please download the instruction manual. **ATTENTION!** Steel wall pools are not suitable for salt water (danger of rusting!). All important questions such as installation requirements or building law requirements will be answered by your local specialist. Symbolic photos - The pictures shown are for reference only, the actual product may vary.



## Included accessories



Hanging cartridge filter unit



Safety ladder

Item number	Size	Foil colour	Colour	Filter unit	Water capacity	Recommended water depth	Pool cover	Ground cloth	Safety ladder	Cleaning set	Skimmer
011002	Ø 350 x 90 cm	Blue	White	Hanging cartridge filter unit 1.700 l/h	7.800 l	80 cm	○	○	X	○	-

(X) Included in delivery. I (X\*) Supplied with standard ladder (unsecured access device). I (O) Optional: This item is adapted to the respective pool and is available separately.

Pool height: 90 cm  
Foil thickness approx. 0.25 mm  
Steel wall approx. 0.25 mm

## ⚠ Important notes for pools



Due to the complexity of the product, we highly recommend downloading the manual. Go to [steinbach-group.com](http://steinbach-group.com). On request the instructions can be provided by e-mail as well. All important questions, such as requirements for the installation or building law requirements will be answered by your local expert.

When using a swimming pool, compliance with the safety instructions as described in the operating and maintenance instructions is required. To avoid drowning and other serious injuries, pay particular attention to the possibility of unexpected access to the swimming pool by children under 5 years old. Secure the access to the pool and ensure that children are under constant supervision of a capable adult during bathing times.

# Steel wall pool set Nuovo

Steel wall pools of the „Nuovo“ series are easy and quick to assemble. Not only the strong steel wall (approx. 0.40 mm), but also the winter-proof inner liner (approx. 0.40 mm) allows year-round use. It is not necessary to dismantle the pool during the winter season. With the included inlet nozzle and skimmer set everything is already prepared for an optimal circulation. Both the swimming pool connection hoses and hose clamps are also included in the set. An included ladder offers you a comfortable way to get in and out. Optionally we recommend the powerful Steinbach filter unit Comfort 50\* (\* not included), which ensures crystal clear pool water.

**Important notes:** Please note that this pool type requires the construction of a coving, this can be done with polystyrene wedges or with sand. Please refer to the instructions for a detailed description of the fillet. This pool type is suitable for installation on a paved surface. It must be stable enough to withstand the weight of a filled pool regardless of the weather. In addition, the possibility must be created that leaking pool water can drain without causing damage. The installation in the ground (only with pressure protection) is partially or completely possible. Please note that for underground installation the pool wall must be statically protected against earth pressure. It is easiest to install the pool with at least three people. The approximate installation time is about 3 hours, depending on the equipment variant and size (without preparatory work for substructure or filling). The effective water depth is -10 cm from the steel casing height. Watertightness / class: W0. EN 16582-1 / EN 16582-3. Due to the complexity of the product, please download the operating instructions. **ATTENTION!** Steel wall pools are not suitable for salt water (danger of rusting!). All important questions such as installation requirements or building law requirements will be answered by your local specialist. Symbolic photos - The pictures shown are for reference only, the actual product may vary. Further information relevant to standards can be found on page 9



White



Anthracite

Pool height: 90 cm oder 120 cm  
Foil thickness approx. 0.40 mm  
Steel wall approx. 0.40 mm

## Included accessories



Skimmer + Inlet nozzle



Ladder

## Recommended filter system

Must be ordered separately!



040200 Steinbach filter unit Comfort 50

Item number	Size	Colour	Water capacity	Recommended water depth	Pool cover	Ground cloth	Ladder	Cleaning set	Skimmer
011091	Ø 400 x 90 cm	White	10,200 l	80 cm	○	○	X*	○	X
011091G	Ø 400 x 90 cm	Anthracite	10,200 l	80 cm	○	○	X*	○	X
011101	Ø 350 x 120 cm	White	10,400 l	110 cm	○	○	X*	○	X
011101G	Ø 350 x 120 cm	Anthracite	10,400 l	110 cm	○	○	X*	○	X
011111	Ø 450 x 120 cm	White	17,200 l	110 cm	○	○	X*	○	X
011111G	Ø 450 x 120 cm	Anthracite	17,200 l	110 cm	○	○	X*	○	X
011121	Ø 550 x 120 cm	White	25,600 l	110 cm	○	○	X*	○	X
011121G	Ø 550 x 120 cm	Anthracite	25,600 l	110 cm	○	○	X*	○	X



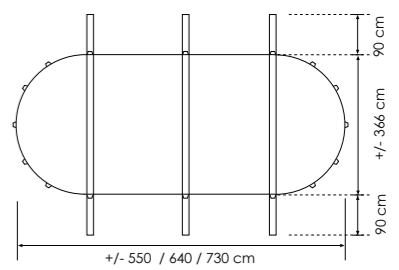

(X) Included in delivery. | (X\*) Supplied with standard ladder (unsecured access device). | (O) Optional: This item is adapted to the respective pool and is available separately.

# Steel wall pool set Nuovo de Luxe oval

The steel wall pool of the Nuovo de Luxe oval series is quick and easy to assemble. It can be used all year-round due to its strong steel wall, and its winter-proof inner liner. It does not need to be dismantled during the winter season. The extra wide hand rail and solid side supporting frame provide a high level of safety and years of pleasure with this pool. Everything is ready for perfect cleaning and circulation with the inlet nozzles and skimmer set included. Both the swimming pool connection hoses and hose clamps for a filter unit are included in the set. The ladder included makes it easy to get in and out. It can be completely or partially built into the ground.

**Important notes:** Please note that this pool type requires the construction of a coving, this can be done with polystyrene wedges or with sand. Please refer to the instructions for a detailed description of the fillet. This pool type is suitable for installation on a paved surface. It must be stable enough to withstand the weight of a filled pool regardless of the weather. In addition, the possibility must be created that leaking pool water can drain without causing damage. The installation in the ground (only with pressure protection) is possible partially or completely. Please note that for underground installation the pool wall must be statically protected against earth pressure. It is easiest to install the pool with at least three people. The approximate installation time is about 3 hours, depending on the equipment variant and size (without preparatory work for substructure or filling). The effective water depth is -10 cm from the steel casing height. Watertightness / class: W0. EN 16582-1 / EN 16582-3. Due to the complexity of the product, please download the operating instructions. **ATTENTION!** Steel wall pools are not suitable for salt water! All important questions, such as installation requirements or legal building requirements, will be answered by your local specialist. Symbolic photos - The pictures shown are for reference only, the actual product may vary. Further information relevant to standards can be found on page 9



Included accessories	Recommended filter system	Info
 Skimmer + Inlet nozzle	Must be ordered separately!  040100 Steinbach filter unit Comfort 75	Braces: 550 cm = 1 Pillar/Side 640 cm = 2 Pillar/Side 730 cm = 3 Pillar/Side 
 Ladder		

Pool height: 120 cm  
 Foil thickness approx. 0.40 mm  
 Steel wall approx. 0.40 mm

Item number	Size	Foil colour	Water capacity	Recommended water depth	Pool cover	Ground cloth	Ladder	Cleaning set	Skimmer
011251	550 x 366 x 120 cm	Blue	18,400 l	110 cm	○	○	X*	○	X
011271	640 x 366 x 120 cm	Blue	21,900 l	110 cm	○	○	X*	○	X
011261	730 x 366 x 120 cm	Blue	28,400 l	110 cm	○	○	X*	○	X

(X) Included in delivery. | (X\*) Supplied with standard ladder (unsecured access device). | (O) Optional: This item is adapted to the respective pool and is available separately.

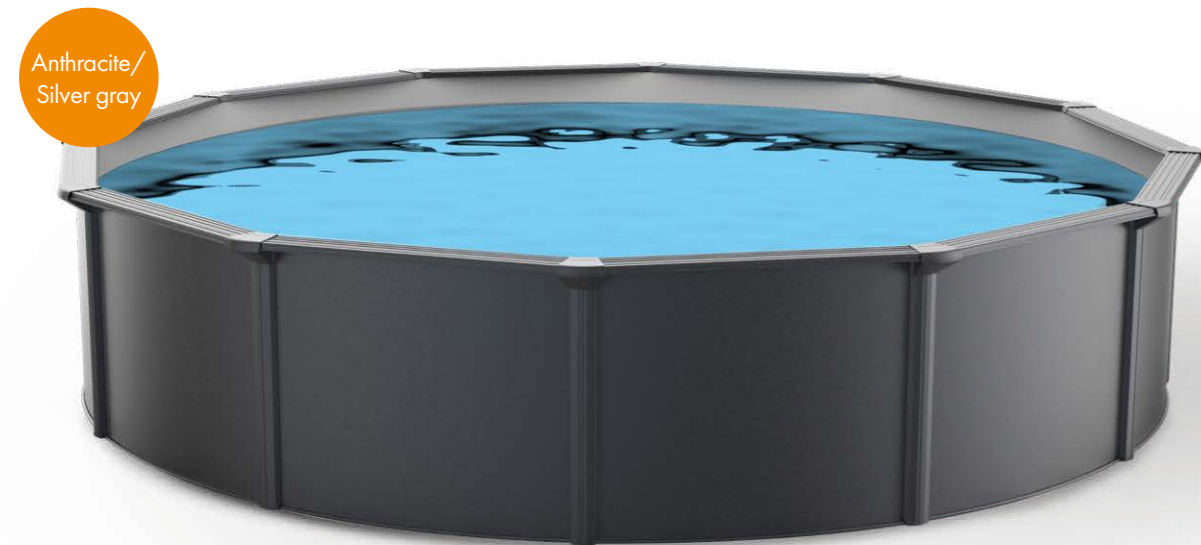
# Stahlwandpool Nuovo de Luxe II

Steel wall pools of the „Nuovo de Luxe II“ series are easy and quick to assemble. Not only the strong steel wall (approx. 0.40 mm), but also the winter-proof inner liner (approx. 0.40 mm) allow year-round use. Dismantling during the winter season is not necessary. The extra wide handrail and the solid support construction ensure more safety and years of pleasure with this pool. With the included inlet nozzle and skimmer set everything is already prepared for an optimal circulation. Both the swimming pool connection hoses and hose clamps are also included in the set. An included ladder offers you a comfortable way to get in and out. For the „Nuovo de Luxe II“ series up to Ø 460 x 120 cm we recommend the \*Steinbach filter unit Classic 250N or the \*Steinbach filter unit Active Balls+ (\* not included). For the steel wall pool Nuovo de Luxe II with Ø 550 x 120 cm we recommend the \*Steinbach filter unit Classic 400 (\* not included). The Steinbach filter units are optimally adapted to the respective steel wall pools and ensure crystal-clear pool water.

**Important notes:** Please note that this pool type requires the construction of a coving, this can be done with polystyrene wedges or with sand. Please refer to the instructions for a detailed description of the fillet. This pool type is suitable for installation on a paved surface. It must be stable enough to withstand the weight of a filled pool regardless of the weather. In addition, the possibility must be created that leaking pool water can drain without causing damage. The installation in the ground (only with pressure protection) is possible partially or completely. Please note that for underground installation the pool wall must be statically protected against earth pressure. It is easiest to install the pool with at least three people. The approximate installation time is about 3 hours, depending on the equipment variant and size (without preparatory work for substructure or filling). The effective water depth is -10 cm from the steel casing height. Watertightness / class: W0. EN 16582-1 / EN 16582-3. Due to the complexity of the product, please download the operating instructions. **ATTENTION!** Steel wall pools are not suitable for salt water! All important questions, such as installation requirements or legal building requirements, will be answered by your local specialist. Symbolic photos - The pictures shown are for reference only, the actual product may vary. Further information relevant to standards can be found on page 9



White/Blue



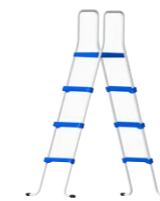
Anthracite/Silver gray

Pool height: 120 cm  
Foil thickness approx. 0.40 mm  
Steel wall approx. 0.40 mm

## Included accessories



Skimmer + Inlet nozzle



Ladder for White/Blue



Ladder for Anthracite/Silver gray

## Recommended filter system

Must be ordered separately!

1

**040386** Steinbach filter unit Active Balls\*  
**040385** Steinbach filter unit Classic 250N  
for pool sizes:  
Ø 360 x 120 cm  
Ø 460 x 120 cm



2

**040340** Steinbach filter unit Classic 400  
for pool size:  
Ø 550 x 120 cm

Recommended filter system	Item number	Size	Colour	Water capacity	Recommended water depth	Pool cover	Ground cloth	Ladder	Cleaning set	Skimmer
1	012141	Ø 360 x 120 cm	White/Blue	11,000 l	110 cm	○	○	X*	○	X
	012141G	Ø 360 x 120 cm	Anthracite/Silver gray	11,000 l	110 cm	○	○	X*	○	X
	040386	Ø 460 x 120 cm	White/Blue	17,900 l	110 cm	○	○	X*	○	X
	040385	Ø 460 x 120 cm	Anthracite/Silver gray	17,900 l	110 cm	○	○	X*	○	X
2	012161	Ø 550 x 120 cm	White/Blue	25,600 l	110 cm	○	○	X*	○	X

(X) Included in delivery. I (X\*) Supplied with standard ladder (unsecured access device). I (O) Optional: This item is adapted to the respective pool and is available separately.



# Steel wall pool set Highline

The Highline series is ideal for pool owners who love to dive down deep. The water depth of approx. 120 cm is almost unbeatable. Also a highlight is the solid construction of the Highline series with its extra wide handrail and strong retaining structure. A strong steel wall (approx. 0.40 mm) and the winter-proof inner liner (approx. 0.40 mm) allow the use all year-round. Dismantling the pool during the winter is not necessary. The set includes inlet nozzles, skimmer set, swimming pool connection hoses and hose clamps to ensure optimal circulation. It is also supplied with an access ladder. We advise using the \*Steinbach filter unit Comfort 50 (\* not included) to ensure optimal circulation and crystal clear water. The included ladder provides a comfortable entry and exit.

**Important notes:** Please note that this pool type requires the construction of a coving, this can be done with polystyrene wedges or with sand. Please refer to the instructions for a detailed description of the fillet. This pool type is suitable for installation on a paved surface. It must be stable enough to withstand the weight of a filled pool regardless of the weather. In addition, the possibility must be created that leaking pool water can drain without causing damage. The installation in the ground (only with pressure protection) is possible partially or completely. Please note that for underground installation the pool wall must be statically protected against earth pressure. It is easiest to install the pool with at least three people. The approximate installation time is about 3 hours, depending on the equipment variant and size (without preparatory work for substructure or filling). The effective water depth is -10 cm from the steel casing height. Watertightness / class: W0. EN 16582-1 / EN 16582-3. Due to the complexity of the product, please download the operating instructions. **ATTENTION!** Steel wall pools are not suitable for salt water! All important questions, such as installation requirements or legal building requirements, will be answered by your local specialist. Symbolic photos - The pictures shown are for reference only, the actual product may vary. **Further information relevant to standards can be found on page 9**



Pool height: 132 cm  
Foil thickness approx. 0.40 mm  
Steel wall approx. 0.40 mm

Included accessories	Recommended filter system <small>Must be ordered separately!</small>
 Skimmer + Inlet nozzle	<div style="display: flex; align-items: center;"> <div style="margin-right: 10px;"> <b>1</b>                          040200 Steinbach filter unit Comfort 50                          for pool size:                          Ø 350 x 132 cm                     </div>  </div>
 Ladder	<div style="display: flex; align-items: center;"> <div style="margin-right: 10px;"> <b>2</b>                          040100 Steinbach filter unit Comfort 75                          for pool sizes:                          Ø 460 x 132 cm                          Ø 550 x 132 cm                     </div>  </div>

Recommended filter system	Item number	Size	Colour	Water capacity	Recommended water depth	Pool cover	Ground cloth	Ladder	Cleaning set	Skimmer
<b>1</b> 040200	012610	Ø 350 x 132 cm	Blue	11,500 l	122 cm	○	○	X*	○	X
<b>2</b> 040100	012612	Ø 460 x 132 cm	Blue	19,900 l	122 cm	○	○	X*	○	X
	012614	Ø 550 x 132 cm	Blue	28,500 l	122 cm	○	○	X*	○	X

(X) Included in delivery. | (X\*) Supplied with standard ladder (unsecured access device). | (O) Optional: This item is adapted to the respective pool and is available separately.

# Steel wall pool set Highline oval

Even more solid and space-saving when assembled. The Highline series is for pool owners who not only like to dive down deep but also want loads of space. The water depth of approx. 120 cm is unbeatable. Also a highlight is the solid construction of the Highline series with its extra wide handrail and strong retaining structure. This lateral supporting construction is only 25 cm instead of the 90 cm of the Nuovo de Luxe series but still boasts better stability. This saves 130 cm in width. A strong steel wall (approx. 0.40 mm) and the winter-proof inner liner (approx. 0.40 mm) allow the use all year-round. Dismanteling the pool during the winter season is not necessary. The set includes inlet nozzles, skimmer set, swimming pool connection hoses and hose clamps to ensure optimal circulation. It is also supplied with an access ladder. We advise using the \*Steinbach filter unit Comfort 75 (\*not included) to ensure optimal circulation and crystal clear water.

**Important notes:** Please note that this pool type requires the construction of a coving, this can be done with polystyrene wedges or with sand. Please refer to the instructions for a detailed description of the fillet. This pool type is suitable for installation on a paved surface. It must be stable enough to withstand the weight of a filled pool regardless of the weather. In addition, the possibility must be created that leaking pool water can drain without causing damage. The installation in the ground (only with pressure protection) is possible partially or completely. Please note that for underground installation the pool wall must be statically protected against earth pressure. It is easiest to install the pool with at least three people. The approximate installation time is about 3 hours, depending on the equipment variant and size (without preparatory work for substructure or filling). The effective water depth is -10 cm from the steel casing height. Watertightness / class: W0. EN 16582-1 / EN 16582-3. Due to the complexity of the product, please download the operating instructions. **ATTENTION!** Steel wall pools are not suitable for salt water! All important questions, such as installation requirements or legal building requirements, will be answered by your local specialist. Symbolic photos - The pictures shown are for reference only, the actual product may vary. Further information relevant to standards can be found on page 9



## Included accessories



Skimmer + Inlet nozzle



Ladder

## Recommended filter system

Must be ordered separately!



040100 Steinbach filter unit Comfort 75

Item number	Size	Foil colour	Water capacity	Recommended water depth	Pool cover	Ground cloth	Ladder	Cleaning set	Skimmer
012620	550 x 366 x 132 cm	Blue	18,700 l	122 cm	○	○	X*	○	X
012622	640 x 366 x 132 cm	Blue	22,300 l	122 cm	○	○	X*	○	X
012624	730 x 366 x 132 cm	Blue	28,900 l	122 cm	○	○	X*	○	X

Pool height: 132 cm  
Foil thickness approx. 0.40 mm  
Steel wall approx. 0.40 mm

(X) Included in delivery. I (X\*) Supplied with standard ladder (unsecured access device). I (O) Optional: This item is adapted to the respective pool and is available separately.

# Steel wall pool set Grande round

With the steel wall pool set Grande you have the luxury version of the steel wall pools. This series impresses not only by the strong steel wall (about 0.60 mm) and a height of 135 cm, but also with a winter-proof, strong inner foil (about 0.60 mm). Dismanteling during the winter season is not necessary. An extra wide handrail and a solid lateral support structure provide plenty of security and years of enjoyment with this pool. With the inlet nozzle and skimmer set included, everything is already prepared for optimal circulation. Both the swimming pool connection hoses and hose clamps are already included in the set. The powerful filter unit (depending on the equipment) ensures crystal clear pool water.

**Important notes:** Please note that this pool type requires the construction of a coving, this can be done with polystyrene wedges or with sand. Please refer to the instructions for a detailed description of the fillet. This pool type is suitable for installation on a paved surface. It must be stable enough to withstand the weight of a filled pool regardless of the weather. In addition, the possibility must be created that leaking pool water can drain without causing damage. The installation in the ground (only with pressure protection) is possible partially or completely. Please note that for underground installation the pool wall must be statically protected against earth pressure. It is easiest to install the pool with at least three people. The approximate installation time is about 3 hours, depending on the equipment variant and size (without preparatory work for substructure or filling). The effective water depth is -10 cm from the steel casing height. Watertightness / class: W0. EN 16582-1 / EN 16582-3. Due to the complexity of the product, please download the operating instructions. **ATTENTION!** Steel wall pools are not suitable for salt water! All important questions, such as installation requirements or legal building requirements, will be answered by your local specialist. Symbolic photos - The pictures shown are for reference only, the actual product may vary. Further information relevant to standards can be found on page 9



Included accessories		Recommended filter system <small>Must be ordered separately!</small>	
 <p>Skimmer + Inlet nozzle</p>		<p><b>1</b> 040340 Steinbach filter units Classic 400 for pool sizes: Ø 366 x 135 cm Ø 457 x 135 cm</p> 	
 <p>Wide opening extension kit</p>		<p><b>2</b> 041010 Steinbach filter units Compact 8 for pool sizes: Ø 549 x 135 cm Ø 640 x 135 cm</p> 	
		<p><b>3</b> 041015 Steinbach filter units Eco Top 10 for pool size: Ø 732 x 135 cm</p> 	

Recommended filter system	Item number	Size	Colour	Water capacity	Recommended water depth	Pool cover	Ground cloth	Ladder	Cleaning set	Skimmer
<b>1</b> 040340	011400	Ø 366 x 135 cm	Blue	12,800 l	125 cm	○	○	○	○	X
	011420	Ø 457 x 135 cm	Blue	20,000 l	125 cm	○	○	○	○	X
<b>2</b> 041010	011440	Ø 549 x 135 cm	Blue	29,000 l	125 cm	○	○	○	○	X
	011460	Ø 640 x 135 cm	Blue	39,000 l	125 cm	○	○	○	○	X
<b>3</b> 041015	011480	Ø 732 x 135 cm	Blue	5,000 l	125 cm	○	○	○	○	X

Pool height: 135 cm  
Foil thickness approx. 0.60 mm  
Steel wall approx. 0.60 mm



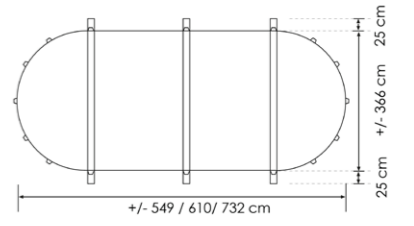


(X) Included in delivery. I (X\*) Supplied with standard ladder (unsecured access device). I (O) Optional: This item is adapted to the respective pool and is available separately.

Pool height: 135 cm  
 Foil thickness approx. 0.60 mm  
 Steel wall approx. 0.60 mm

## Steel wall pool set Grande oval

The steel wall pool Set Grande is certainly the luxury version of the steel wall pools. This series impresses not only with the strong steel wall (about 0.60 mm) and a height of 135 cm, but also with a winter-proof, strong inner foil (about 0.60 mm). Dismantling during the winter season is not necessary. An extra wide handrail and a solid lateral support structure provide security and years of enjoyment with this pool. With the inlet nozzle and skimmer set included, everything is already prepared for optimal circulation. Swimming pool connection hoses and hose clamps are already included in the set. Delivery is without a filter unit.

**Important notes:** Please note that this pool type requires the construction of a coving, this can be done with polystyrene wedges (Art. No. 016041 page 23) or with sand. Please refer to the instructions for a detailed description of the fillet. This pool type is suitable for installation on a paved surface. It must be stable enough to withstand the weight of a filled pool regardless of the weather. In addition, the possibility must be created that leaking pool water can drain without causing damage. The installation in the ground (only with pressure protection) is possible partially or completely. Please note that for underground installation the pool wall must be statically protected against earth pressure. It is easiest to install the pool with at least three people. The approximate installation time is about 3 hours, depending on the equipment variant and size (without preparatory work for substructure or filling). The effective water depth is -10 cm from the steel casing height. Watertightness / class: VVO. EN 16582-1 / EN 16582-3. Due to the complexity of the product, please download the operating instructions. **ATTENTION!** Steel wall pools are not suitable for salt water! All important questions, such as installation requirements or legal building requirements, will be answered by your local specialist. Symbolic photos - The pictures shown are for reference only, the actual product may vary. Further information relevant to standards can be found on page 9

Included accessories	Recommended filter system <small>(Must be ordered separately!)</small>	Info
 <p>Skimmer + Inlet nozzle</p>	<p><b>1</b> 040340 Steinbach filter unit Classic 400 for pool size: 549 x 366 x 135 cm</p> 	<p>Braces:            549 cm = 1 Pillar/Side            610 cm = 2 Pillars/Side            732 cm = 3 Pillars/Side</p> 
 <p>Wide opening extension kit</p>	<p><b>2</b> 041010 Steinbach filter unit Comfort 8 for pool sizes: 610 x 366 x 135 cm / 732 x 366 x 135 cm</p> 	

Recommended filter system	Item number	Size	Colour	Water capacity	Recommended water depth	Pool cover	Ground cloth	Ladder	Cleaning set	Skimmer
<b>1</b> 040340	011520	549 x 366 x 135 cm	Blue	20,900 l	125 cm	○	○	○	○	X
<b>2</b> 041010	011540	610 x 366 x 135 cm	Blue	23,600 l	125 cm	○	○	○	○	X
	011560	732 x 366 x 135 cm	Blue	29,000 l	125 cm	○	○	○	○	X

(X) Included in delivery. | (X\*) Supplied with standard ladder (unsecured access device). | (O) Optional: This item is adapted to the respective pool and is available separately.

# Steel wall pool Styria round - pool only

The steel wall pools of the „Styria“ series are the most robust and strongest pools in this class. Not only the strong steel wall (approx. 0.80 mm at a depth of 150 cm), but also the winter-proof inner liner (liner colour adria blue: approx. 0.60 mm and liner colour sand: approx. 0.80 mm) allow year-round use. Disassembly in winter is not necessary. Punched holes for skimmer and inlet nozzle are already available. The „Styria“ series round is suitable for partial or complete underground installation (only with pressure protection). The Skimmer set S1 (\*not included) is the optimal preparation for circulating your pool water. For the „Styria“ series round up to Ø 450 x 120 cm we recommend the \*Steinbach filter unit Classic 250N or the \*Steinbach filter unit Active Balls+ (\*not included). For the steel wall pool of the „Styria“ series in round with Ø 500 x 120 cm and Ø 500 x 150 cm we recommend the \*Steinbach filter unit Classic 400 (\*not included). These Steinbach filter units are optimally adjusted to the respective steel wall pools of the „Styria“ series round and they ensure crystal clear pool water.

**Important notes:** Please note that this pool type requires the construction of a coping, this can be done with polystyrene wedges or with sand. Please refer to the instructions for a detailed description of the fillet. This pool type is suitable for installation on a paved surface. It must be stable enough to withstand the weight of a filled pool regardless of the weather. In addition, the possibility must be created that leaking pool water can drain without causing damage. The installation in the ground (only with pressure protection) is possible partially or completely. Please note that for underground installation the pool wall must be statically protected against earth pressure. It is easiest to install the pool with at least three people. The approximate installation time is about 3 hours, depending on the equipment variant and size (without preparatory work for substructure or filling). The effective water depth is -10 cm from the steel casing height. Water-tightness / class: VVO, EN 16582-1 / EN 16582-3. Due to the complexity of the product, please download the operating instructions. **ATTENTION!** Steel wall pools are not suitable for salt water! All important questions, such as installation requirements or legal building requirements, will be answered by your local specialist. Symbolic photos - The pictures shown are for reference only, the actual product may vary. Further information relevant to standards can be found on page 9



Pool height: 120 or 150 cm  
Foil thickness Adria blue approx. 0.60 mm  
Foil thickness Sand approx. 0.80 mm  
Steel wall up to 120 cm depth, 0.60 mm  
Steel wall at a depth of 150 cm, 0.80 mm

## Included accessories



Skimmer + Inlet nozzle

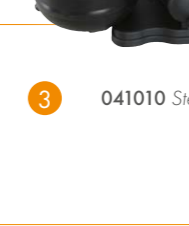
## Recommended filter system

Must be ordered separately!

- 1** 040386 Steinbach filter unit Active Balls\*  
040385 Steinbach filter unit Classic 250N  
for pool sizes:  
Ø 350 x 120 cm  
Ø 400 x 120 cm  
Ø 460 x 120 cm



- 2** 040340 Steinbach filter unit Classic 400  
for pool sizes:  
Ø 500 x 120 cm  
Ø 500 x 150 cm



- 3** 041010 Steinbach filter unit Compact 8  
for these pool size:  
Ø 600 x 150 cm



Recommended filter system	Item number	Size	Colour	Water capacity	Recommended water depth	Pool cover	Ground cloth	Ladder	Cleaning set	Skimmer
<b>1</b> 040386 040385	012305	Ø 350 x 120 cm	Blue	10,400 l	110 cm	○	○	○	○	○
	012305SA	Ø 350 x 120 cm	Sand	10,400 l	110 cm	○	○	○	○	○
	012310	Ø 400 x 120 cm	Blue	13,600 l	110 cm	○	○	○	○	○
	012310SA	Ø 400 x 120 cm	Sand	13,600 l	110 cm	○	○	○	○	○
	012309	Ø 450 x 120 cm	Blue	16,000 l	110 cm	○	○	○	○	○
	012309SA	Ø 450 x 120 cm	Sand	16,000 l	110 cm	○	○	○	○	○
<b>2</b> 040340	012320	Ø 500 x 120 cm	Blue	21,200 l	110 cm	○	○	○	○	○
	012320SA	Ø 500 x 120 cm	Sand	21,200 l	110 cm	○	○	○	○	○
	012330	Ø 500 x 150 cm	Blue	26,500 l	140 cm	○	○	○	○	○
	012330SA	Ø 500 x 150 cm	Sand	26,500 l	140 cm	○	○	○	○	○
<b>3</b> 041010	012335	Ø 600 x 150 cm	Blue	38,100 l	140 cm	○	○	○	○	○
	012335SA	Ø 600 x 150 cm	Sand	38,100 l	140 cm	○	○	○	○	○

(X) Included in delivery. I (X\*) Supplied with standard ladder (unsecured access device). I (O) Optional: This item is adapted to the respective pool and is available separately.

## Steel wall pool Styria oval - pool only

The steel wall pools of the „Styria“ series are the most robust and strongest pools in this class. Not only the strong steel wall (approx. 0.80 mm at a depth of 150 cm), but also the winter-proof inner liner (liner colour adria blue: approx. 0.60 mm and liner colour sand: approx. 0.80 mm) allow year-round use. Disassembly in winter is not necessary. Punched holes for skimmer and inlet nozzle are already available. The „Styria“ series in oval is only suitable for underground installation. A foundation plate and retaining walls on the long sides are required. The \*Skimmer set S1 is the optimal preparation for the circulation of your pool water. For the Styria series in oval with the pool size of 490 x 300 x 120 cm we recommend the \*Steinbach filter unit Classic 250N or the \*Steinbach filter unit Active Balls+. For all steel wall pools of the Styria Series in oval with a pool height of 150 cm we recommend the \*Steinbach filter unit Compact 8. These Steinbach filter units are optimally matched to the „Styria“ series in oval and ensure crystal-clear pool water. \* (not included in delivery)

**Important information:** This pool type is suitable for mounting on a paved surface. It must be stable enough to support the weight of the filled pool irrespective of the weather. It must also be ensured that excess pool water can drain easily to avoid causing damage. It can be completely or partially built into the ground (only with pressure protection). Note that the pool wall must be protected against static earth pressure if installed underground. It is easiest to assemble with at least three people. The approximate assembly time totals 3 or more hours, depending on the model type and size (without preparation work on substructure or filling). The effective water depth is -10 cm from the steel wall height. Watertightness/Class: W0, EN 16582-1 / EN 16582-3. Due to the complexity of the product, please download the instruction manual. Your local specialist can answer all your questions such as installation requirements or building code regulations. Symbolic photos - The pictures shown are for reference only, the actual product may vary. **Further information relevant to standards can be found on page 9**



Pool height: 120 or 150 cm  
Foil thickness Adria blue approx. 0.60 mm  
Foil thickness Sand approx. 0.80 mm  
Steel wall up to 120 cm depth, 0.60 mm  
Steel wall at a depth of 150 cm, 0.80 mm

### Included accessories



Skimmer + Inlet nozzle

### Recommended filter system

Must be ordered separately!

- 1** 040386 Steinbach Filteranlage Active Balls+  
040385 Steinbach Classic 250N  
for pool size:  
Ø 490 x 300 x 120 cm



- 2** 041010 Steinbach Filteranlage Compact 8  
for pool sizes:  
Ø 623 x 360 x 150 cm  
Ø 737 x 360 x 150 cm  
Ø 800 x 400 x 150 cm

Recommended filter system	Item number	Size	Colour	Water capacity	Recommended water depth	Pool cover	Ground cloth	Ladder	Cleaning set	Skimmer
<b>1</b>	012345	490 x 300 x 120 cm	Blue	13,800 l	110 cm	○	○	○	○	○
	040386 040385	012345SA 490 x 300 x 120 cm	Sand	13,800 l	110 cm	○	○	○	○	○
<b>2</b>	012370	623 x 360 x 150 cm	Blue	26,600 l	140 cm	○	○	○	○	○
	012370SA	623 x 360 x 150 cm	Sand	26,000 l	140 cm	○	○	○	○	○
	012375	737 x 360 x 150 cm	Blue	32,000 l	140 cm	○	○	○	○	○
	012375SA	737 x 360 x 150 cm	Sand	32,000 l	140 cm	○	○	○	○	○
	012380	800 x 400 x 150 cm	Blue	38,500 l	140 cm	○	○	○	○	○
041010	012380SA 800 x 400 x 150 cm	Sand	38,500 l	140 cm	○	○	○	○	○	

(X) Included in delivery. I (X\*) Supplied with standard ladder (unsecured access device). I (O) Optional: This item is adapted to the respective pool and is available separately.

# Accessory sets for steel wall pools



## Styropor@wedge approx. 100 x 13.5 x 5 cm

- Approx. 100 x 13.5 x 5 cm (L x W x H)
- Used as coving when laying an overlapping liner.
- The Styropor@wedges are glued directly onto the steel wall on the inner side using a special adhesive.

016041



## Floor insulation

016060

Felt clip tile P 40, 60 x 40 x 3 cm (L x W x H)

016064

Felt clip tile P 40, 100 x 50 x 5 cm (L x W x H)

016068

Felt clip tile P 80, 100 x 50 x 5 cm (L x W x H)



## UHU® Por, Can 570g

- Special glue for sticking Styropor@ wedges (coving) onto the inner side of steel wall pools.

060931

# Accessory sets for steel wall pools



## Swimming pool fleece

The optimal protection for pool and pool liner! The use of swimming pool fleece extends the life of the pool liner. It can be used below any commercially available film to protect against mechanical loads. The basis weight is approx. 270 g/m<sup>2</sup>.

- 036016 Swimming pool fleece, 16 m<sup>2</sup>
- Approx. 800 x 200 cm (L x W)
  - Approx. 270 g/m<sup>2</sup>

- 036030 Swimming pool fleece, 30 m<sup>2</sup>
- Approx. 1500 x 200 cm (L x W)
  - Approx. 270 g/m<sup>2</sup>

## Required individual components for different pool sizes

### Floor insulation set with 3 cm insulating panels\*

For round pools up to Ø 366 cm

Item no.	Needed amount	Item description
016060	51 pcs.	Felt clip tile P 40, 60 x 40 x 3 cm (L x B x H) / Felt clip
060931	1 pcs.	Uhu Por, Can 570g
016041	12 pcs.	Styropor@wedge

For round pools up to Ø 549 cm or oval pools up to 732 x 366 cm

Item no.	Needed amount	Item description
016060	114 pcs.	Felt clip tile P 40, 60 x 40 x 3 cm (L x B x H) / Felt clip
060931	1 pcs.	Uhu Por, Can 570g
016041	18 pcs.	Styropor@wedge

For round pools up to Ø 732 cm

Item no.	Needed amount	Item description
016060	202 pcs.	Felt clip tile P 40, 60 x 40 x 3 cm (L x B x H) / Felt clip
060931	1 pcs.	Uhu Por, Can 570g
016041	23 pcs.	Styropor@wedge

For oval pools up to 549 x 366 cm

Item no.	Needed amount	Item description
016060	67 pcs.	Felt clip tile P 40, 60 x 40 x 3 cm (L x B x H) / Felt clip
060931	1 pcs.	Uhu Por, Can 570g
016041	16 pcs.	Styropor@wedge

For round pools up to Ø 457 cm or oval pools up to 640 x 366 cm

Item no.	Needed amount	Item description
016060	67 pcs.	Felt clip tile P 40, 60 x 40 x 3 cm (L x B x H) / Felt clip
060931	1 pcs.	Uhu Por, Can 570g
016041	16 pcs.	Styropor@wedge

### Floor insulation set with 5 cm insulating panels\*\*

For round pools up to Ø 366 cm and oval pools

Item no.	Needed amount	Item description
016064	29 pcs.	Felt clip tile P 40, 100 x 50 x 5 cm (L x B x H) / Felt clip
060931	1 pcs.	Uhu Por, Can 570g
016041	12 pcs.	Styropor@wedge

For round pools up to Ø 549 cm or oval pools up to 732 x 366 cm

Item no.	Needed amount	Item description
016064	55 pcs.	Felt clip tile P 40, 100 x 50 x 5 cm (L x B x H) / Felt clip
060931	1 pcs.	Uhu Por, Can 570g
016041	18 pcs.	Styropor@wedge

For round pools up to Ø 732 cm or oval pools

Item no.	Needed amount	Item description
016064	97 pcs.	Felt clip tile P 40, 100 x 50 x 5 cm (L x B x H) / Felt clip
060931	1 pcs.	Uhu Por, Can 570g
016041	23 pcs.	Styropor@wedge

For oval pools up to 549 x 366 cm

Item no.	Needed amount	Item description
016064	41 pcs.	Felt clip tile P 40, 100 x 50 x 5 cm (L x B x H) / Felt clip
060931	1 pcs.	Uhu Por, Can 570g
016041	16 pcs.	Styropor@wedge

For round pools up to Ø 457 cm or oval pools up to 640 x 366 cm

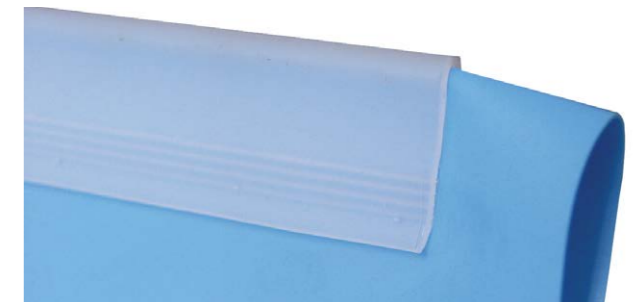
Item no.	Needed amount	Item description
016064	48 pcs.	Felt clip tile P 40, 100 x 50 x 5 cm (L x B x H) / Felt clip
060931	1 pcs.	Uhu Por, Can 570g
016041	17 pcs.	Styropor@wedge



## Special fleece for pools

- Self standing, roll approx. 50 x 1.50 m, approx. 500 g/m<sup>2</sup>

016005



## Pool coping plastic edge

- For fixating overlapping liners on steel wall pools, length 100 cm.

011990



## Vinyl repair kit self adhesive

- 6 pcs of 7½ sq. in. (49cm<sup>2</sup>)
- Stick-on patches
- Specially for inflatables

159631NP

\*Items can be ordered individually

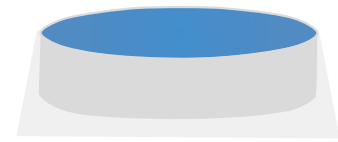


## Underwater repair kit for vinyl liners

- Content:
- 2 pieces approx. 12 x 10 cm transparent vinyl foil
  - Vinyl, material thickness 0.22 mm
  - 30 g of glue

061356

# Round foils & oval foils for steel wall pools



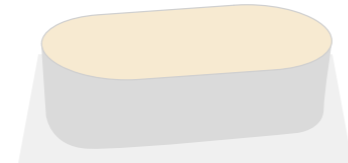
Adria blue



Sand



Adria blue



Sand

## Round foils - all common action pools

Adria blue, overlapping design

011900	Adriablau	Rundfolie Ø 3.60 x 0,90 m - Stärke 0.22 mm
011913	Adriablau	Rundfolie Ø 3.60 x 0,90 m - Stärke 0.4 mm
011905	Adriablau	Rundfolie Ø 4.60 x 1.10 m - Stärke 0.22 mm
011909	Adriablau	Rundfolie Ø 3.50 x 0.90 m - Stärke 0.3 mm
011914	Adriablau	Rundfolie Ø 3.60 x 0.90 m - Stärke 0.6 mm

## Round foils - pools with a depth of 120 cm

Colour Adria blue or Sand, with suspended profile

012307	Adriablau	Rundfolie Ø 3.50 x 1.20 m - Stärke 0.6 mm
012303SA	Sand	Rundfolie Ø 3.50 x 1.20 m - Stärke 0.8 mm
012308	Adriablau	Rundfolie Ø 3.60 x 1.20 m - Stärke 0.6 mm
012312	Adriablau	Rundfolie Ø 4.00 x 1.20 m - Stärke 0.6 mm
012314SA	Sand	Rundfolie Ø 4.00 x 1.20 m - Stärke 0.8 mm
012313	Adriablau	Rundfolie Ø 4.20 x 1.20 m - Stärke 0.6 mm
012317	Adriablau	Rundfolie Ø 4.50 x 1.20 m - Stärke 0.6 mm
012319SA	Sand	Rundfolie Ø 4.50 x 1.20 m - Stärke 0.8 mm
012318	Adriablau	Rundfolie Ø 4.60 x 1.20 m - Stärke 0.6 mm
012322	Adriablau	Rundfolie Ø 5.00 x 1.20 m - Stärke 0.6 mm
012324SA	Sand	Rundfolie Ø 5.00 x 1.20 m - Stärke 0.8 mm
012323	Adriablau	Rundfolie Ø 5.50 x 1.20 m - Stärke 0.6 mm
012327	Adriablau	Rundfolie Ø 6.00 x 1.20 m - Stärke 0.6 mm

## Round foil - pools up to 135 cm deep

Adria blue, overlapping design

011930	Adriablau	Rundfolie Ø 3.66 x 1.50 m - Stärke 0.6 mm
011931	Adriablau	Rundfolie Ø 4.57 x 1.50 m - Stärke 0.6 mm
011932	Adriablau	Rundfolie Ø 5.49 x 1.50 m - Stärke 0.6 mm
011933	Adriablau	Rundfolie Ø 6.40 x 1.50 m - Stärke 0.6 mm
011934	Adriablau	Rundfolie Ø 7.32 x 1.50 m - Stärke 0.6 mm

## Round foil - pools up to 150 cm deep

Colour Adria blue or Sand, with suspended profile

012332	Adriablau	Rundfolie Ø 5.00 x 1.50 m - Stärke 0.6 mm
012333SA	Sand	Rundfolie Ø 5.00 x 1.50 m - Stärke 0.8 mm
012337	Adriablau	Rundfolie Ø 6.00 x 1.50 m - Stärke 0.6 mm
012338SA	Sand	Rundfolie Ø 6.00 x 1.50 m - Stärke 0.8 mm

## Oval foil - pools with a depth of 120 cm

Colour Adria blue or Sand, with suspended profile

012347	Ovalfolie 4.90 x 3.00 x 1.20 m - Stärke 0.6 mm
012348SA	Ovalfolie 4.90 x 3.00 x 1.20 m - Stärke 0.8 mm
012352	Ovalfolie 6.25 x 3.60 x 1.20 m - Stärke 0.6 mm
012357	Ovalfolie 7.37 x 3.60 x 1.20 m - Stärke 0.6 mm
012362	Ovalfolie 8.00 x 4.00 x 1.20 m - Stärke 0.6 mm

## Oval foil pools with a depth of 135 cm

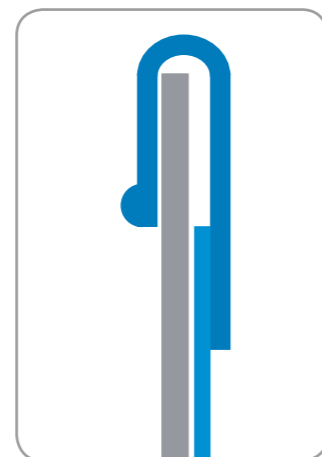
Adria blue, overlapping design

011941	Ovalfolie 5.49 x 3.66 x 1.50 m - Stärke 0.6 mm
011942	Ovalfolie 6.10 x 3.66 x 1.50 m - Stärke 0.6 mm
011943	Ovalfolie 7.32 x 3.66 x 1.50 m - Stärke 0.6 mm

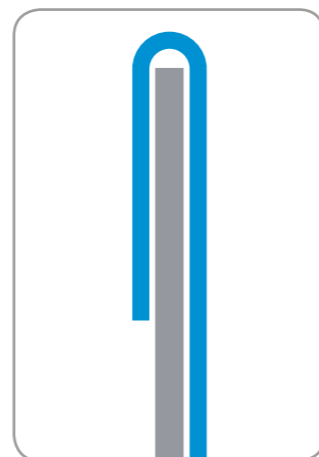
## Oval foil - pools with a depth of 150 cm

Colour Adria blue or Sand, with suspended profile

012372	Adriablau	Ovalfolie 6.25 x 3.60 x 1.50 m - Stärke 0.6 mm
012373SA	Sand	Ovalfolie 6.25 x 3.60 x 1.50 m - Stärke 0.8 mm
012377	Adriablau	Ovalfolie 7.37 x 3.60 x 1.50 m - Stärke 0.6 mm
012374SA	Sand	Ovalfolie 7.37 x 3.60 x 1.50 m - Stärke 0.8 mm
012382	Adriablau	Ovalfolie 8.00 x 4.00 x 1.50 m - Stärke 0.6 mm
012383SA	Sand	Ovalfolie 8.00 x 4,00 x 1.50 m - Stärke 0.8 mm



Foil with hanging piping

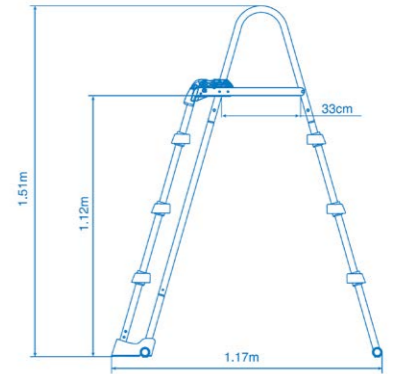


Foil overlapping

# Ladders for Above Ground Pools

## Safety ladders for pools from 91 to 107 cm

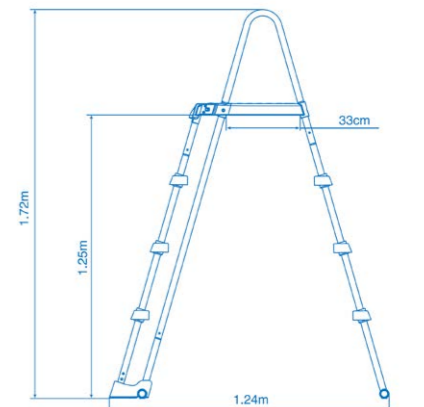
- Safety ladders for pools from 91 to 107 cm
- Safety ladder made of coated steel frame
- Safety ladder with removable outer steps
- Steps with anti-slip surface and improved support base
- Protective caps to prevent damage to the pool liner
- Easy to set up, dismantle and store Maximum load 136 kg



128075

## Safety ladders for pools 122 cm

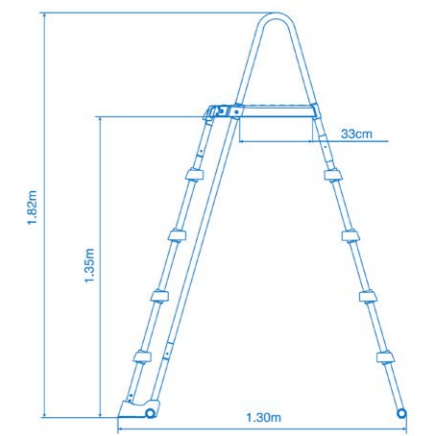
- Safety ladders for pools 122 cm
- Safety ladder made of coated steel frame
- Safety ladder with removable outer steps
- Steps with anti-slip surface
- Protective caps to prevent damage to the pool liner
- Easy to set up, dismantle and store
- Maximum load 136 kg



128076

## Safety ladders for pools from 132 cm

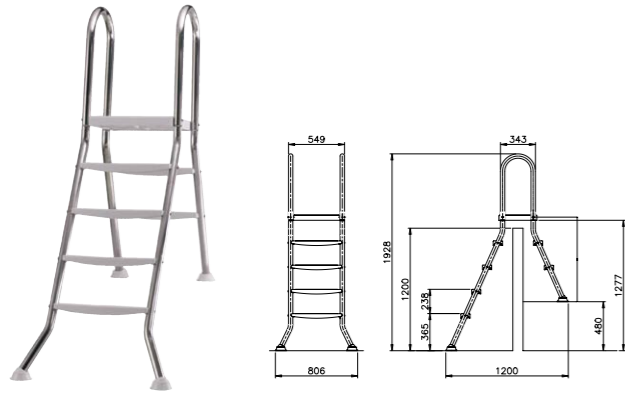
- Safety ladders for pools from 132 cm
- Safety ladder made of coated steel frame
- Safety ladder with removable outer steps
- Steps with anti-slip surface
- Protective caps to prevent damage to the pool liner
- Easy to set up, dismantle and store
- Maximum load 136 kg



128077

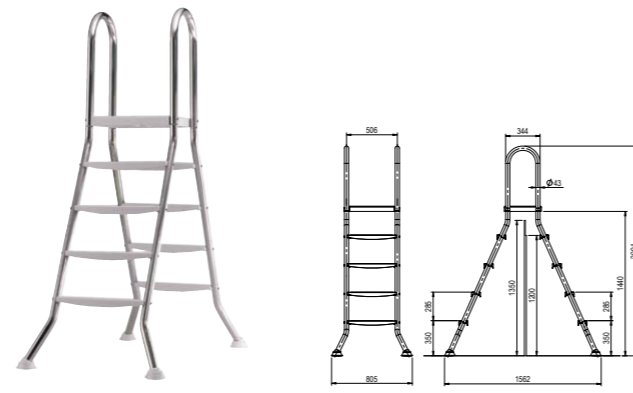


# Ladders for steel wall pools



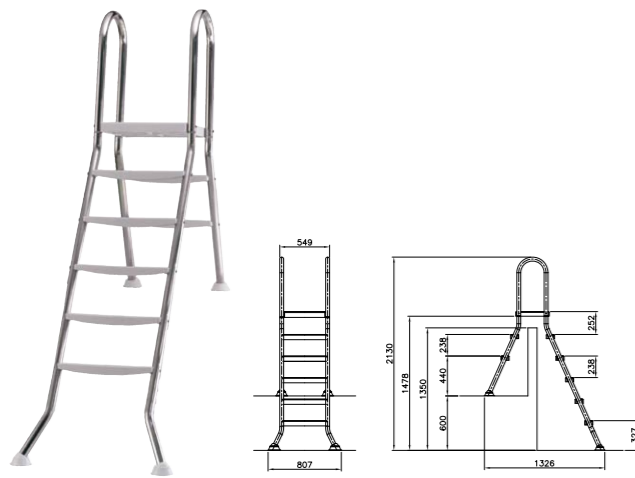
**Above ground pool ladder stainless steel, 4 + 2 steps \***

018001 For pool height 120 cm, bar Ø 43 mm



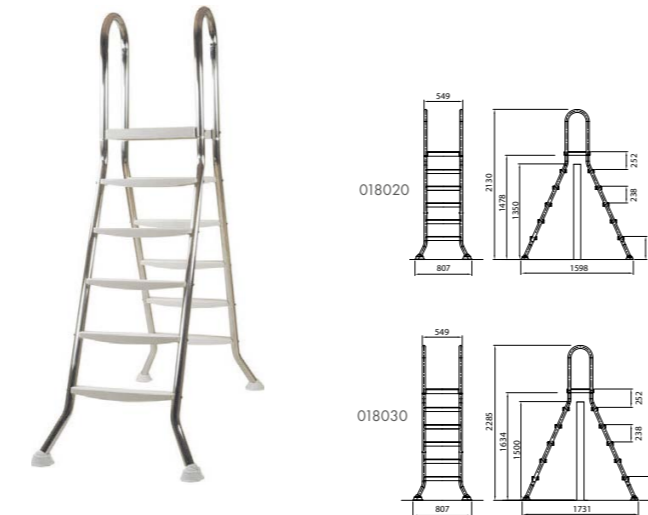
**Above ground pool ladder stainless steel, 4 + 4 steps \***

018025 For pool height 120 cm and 135 cm, bar Ø 43 mm



**Above ground pool ladder stainless steel, 5 + 2 steps \***

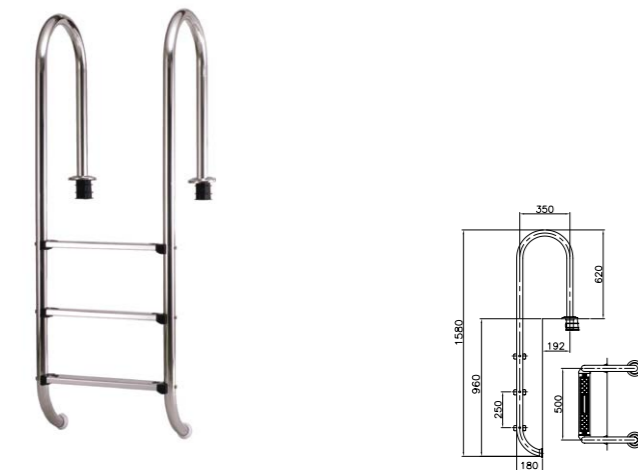
018021 For pool height 135 cm, bar Ø 43 mm



**Above ground pool ladder stainless steel, 5 + 5 steps \***

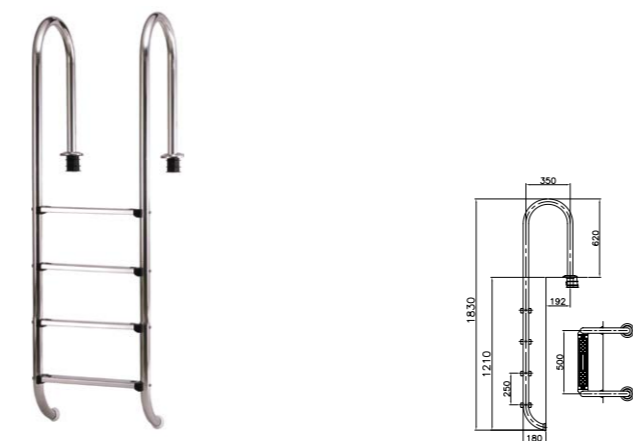
018020 For pool height 135 cm, bar Ø 43 mm

018030 For pool height 150 cm, bar Ø 43 mm, special height



**Above ground pool ladder, stainless steel, 3 steps \***

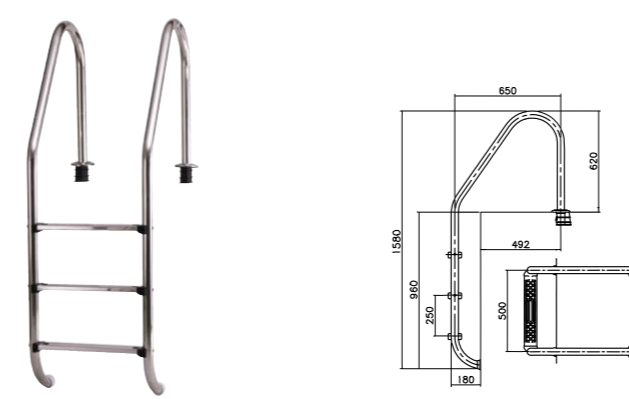
018010 For pool depth 120 cm, slim design, end bar Ø 43 mm



**Above ground pool ladder, stainless steel, 4 steps \***

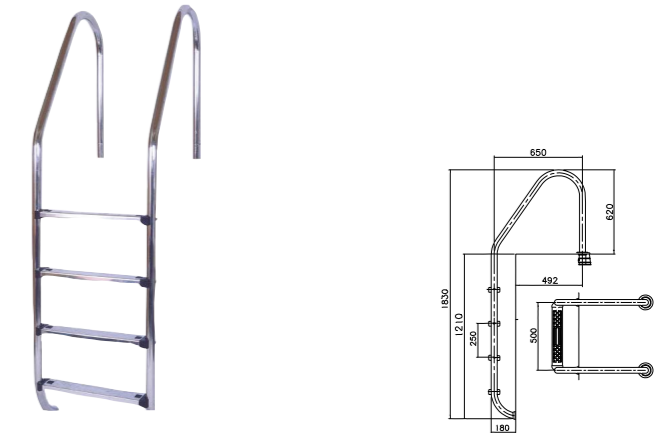
018011 For pool depth 150 cm, slim design, end bar Ø 43 mm

# Accessories for steel wall pools



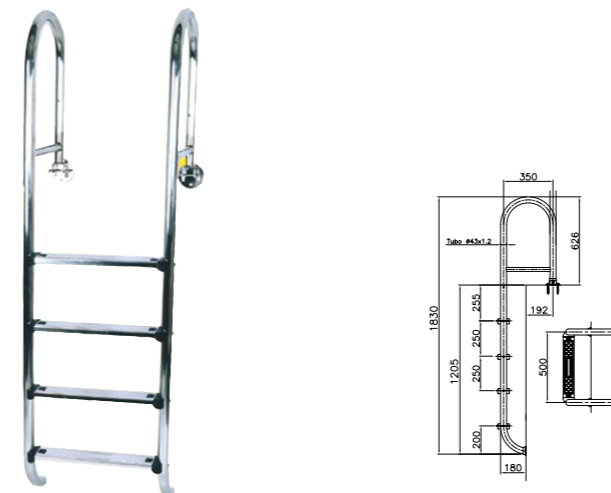
**Above ground pool ladder, stainless steel, 3 steps \***

018015 For pool depth 120 cm, wide design, end bar Ø 43 mm



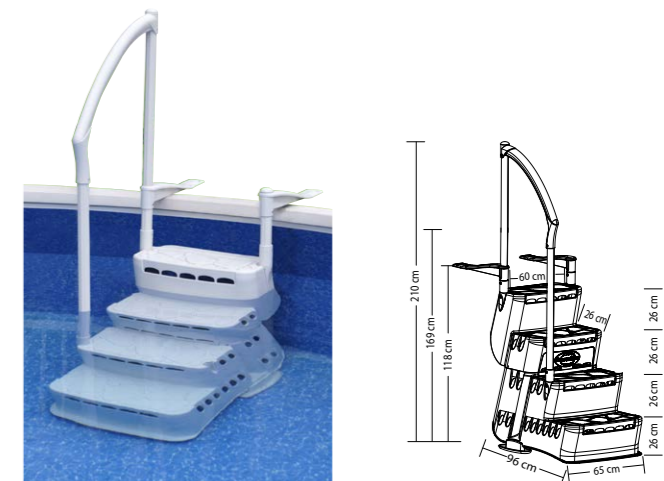
**Above ground pool ladder, stainless steel, 4 steps \***

018016 For pool depth 150 cm, wide design, end bar Ø 43 mm



**Above ground pool ladder, stainless steel, 4 steps, with hinge \***

018019 For pool depth 150 cm, slim design, end bar Ø 43 mm



**Installation steps PVC comfort 2 \***

- Ideal for retrofitting
- 4 steps, with one hand rail usable on both sides
- For pools from 120 - 135 cm depth
- Maximum load 159 kg

018050



**Zinc plate**

- For equipotential bonding of stainless steel conductors in connection with saltwater disinfection
  - Helps prevent the corrosion of stainless steel
- Assembly:** Screw the zinc plate to the outside of your stainless steel ladder. The mounting must be done on the inside of the pool and below the water level.

018259



**Stainless steel flange pipe for built-in pool ladders Ø 43 mm end bar**

- For built-in pool ladders Ø 43 mm end bar
- doublepack

018090

\*unsecured access device. The maximum weight capacity of stainless steel ladders is 150 kg

\*unsecured access device. The maximum weight capacity of stainless steel ladders is 150 kg



**NEW**  
Foil colour in Sand optionally possible

## Eco without floor insulation, 150 cm depth

### The set contains:

- Styropor® stones 100 x 25 x 25 cm (L x W x H)
- 0.8 mm strong high frequency welded liner tank
- Aluminium hanging bracket
- Self-supporting special fleece
- Stainless steel ladder
- The filter unit is perfectly matched to the pool size
- Quartz filter sand
- Wide neck built-in skimmer
- Inlet nozzles
- Wall ducting
- Pipe material

**Important information:** This type of pool is only suitable for building into the ground. The specified dimensions are the inside dimensions = quantity of water. (Length x Width x Depth) Outer dimensions = inside dimensions + 50 cm e.g. 600 x 300 Inside dimensions= 650 x 350 cm Outside dimensions. It is easiest to assemble with a minimum of two people. The effective water depth is -10 cm from the pool height. Watertightness/Class: W0. EN 16582-1 / EN 16582-3. Due to the complexity of the product, please download the operating instructions. You local specialist can answer all your questions such as installation requirements or building code regulations. **For more standards and related information see on page 9.**



Wide neck built-in skimmer



Steinbach Compact 8



Steinbach ECO Top 10



Pipe material



P25 (100 x 25 x 25 cm)



Stainless steel ladder

Item number	Description	Size in cm	Filter unit	Access possibility	Foil thickness in mm	Ground insulation	Counter-current system installation kit	Granite pool edge stone	Skimmer	Inlet nozzle
016110	Eco 1 kit	600 x 300 x 150	Steinbach filter unit Compact 8, 9,000 l/h	Stainless steel ladder 4-stepped*	0.80	-	○	○	1	2
016112	Eco 2 kit	700 x 350 x 150	Steinbach filter unit Compact 8, 9,000 l/h	Stainless steel ladder 4-stepped*	0.80	-	○	○	1	4
016114	Eco 3 kit	800 x 400 x 150	Steinbach filter unit Eco Top 10, 14,000 l/h	Stainless steel ladder 4-stepped*	0.80	-	○	○	1	4

(O) Optional: This article is adapted to the respective pool and is available separately. ! \* Scope of delivery with standard ladder (unsecured access device) ! The maximum load capacity of stainless steel ladders is 150 kg



**NEW**  
Foil colour in Sand optionally possible

## Basic without floor insulation, 150 cm depth

### The set contains:

- Styropor® stones Big Stone 125 x 25 x 50 cm (L x W x H)
- 0.8 mm strong high frequency welded liner tank
- Aluminium hanging bracket
- Self-supporting special fleece
- Stainless steel ladder
- The filter unit is perfectly matched to your pool size
- Quartz filter sand
- Wide neck built-in skimmer
- Inlet nozzles
- Wall ducting
- Pipe material

**Important information:** This type of pool is only suitable for building into the ground. The specified dimensions are the inside dimensions = quantity of water. (Length x Width x Depth) Outer dimensions = inside dimensions + 50 cm e.g. 600 x 300 Inside dimensions= 650 x 350 cm Outside dimensions. It is easiest to assemble with a minimum of two people. The effective water depth is -10 cm from the pool height. Watertightness/Class: W0. EN 16582-1 / EN 16582-3. Due to the complexity of the product, please download the operating instructions. You local specialist can answer all your questions such as installation requirements or building code regulations. **For more standards and related information see on page 8.**



Wide neck built-in skimmer



Steinbach Compact 8



Steinbach ECO Top 10



Pipe material



Big Stone (125 x 25 x 50 cm)



Stainless steel ladder

Item number	Description	Size in cm	Filter unit	Access possibility	Foil thickness in mm	Ground insulation	Counter-current system installation kit	Granite pool edge stone	Skimmer	Inlet nozzle
016130	Basic 1 kit	600 x 300 x 150	Steinbach filter unit Compact 8, 9,000 l/h	Stainless steel ladder 4-stepped*	0.80	-	○	○	1	2
016132	Basic 2 kit	700 x 350 x 150	Steinbach filter unit Compact 8, 9,000 l/h	Stainless steel ladder 4-stepped*	0.80	-	○	○	1	4
016134	Basic 3 kit	800 x 400 x 150	Steinbach filter unit Eco Top 10, 14,000 l/h	Stainless steel ladder 4-stepped*	0.80	-	○	○	1	4
016136	Basic 4 kit	900 x 500 x 150	Steinbach filter unit Eco Top 10, 14,000 l/h	Stainless steel ladder 4-stepped*	0.80	-	○	○	2	4

(O) Optional: This article is adapted to the respective pool and is available separately. ! \* Scope of delivery with standard ladder (unsecured access device) ! The maximum load capacity of stainless steel ladders is 150 kg



**NEW**  
Foil colour in Sand optionally possible

# Classic

## The set contains:

- Styropor® stones Big Stone 125 x 25 x 50 cm (L x W x H)
- Floor insulation P 40
- 0.8 mm strong high frequency welded liner tank
- Aluminium hanging bracket
- Self-supporting special fleece
- Stainless steel ladder
- The filter unit is perfectly matched to your pool size
- Quartz filter sand
- Wide neck built-in skimmer
- Inlet nozzles
- Wall ducting
- Pipe material

**Important information:** This type of pool is only suitable for building into the ground. The specified dimensions are the inside dimensions = quantity of water. (Length x Width x Depth) Outer dimensions = inside dimensions + 50 cm e.g. 600 x 300 Inside dimensions= 650 x 350 cm Outside dimensions. It is easiest to assemble with a minimum of two people. The effective water depth is -10 cm from the pool height. Watertightness/Class: W0. EN 16582-1 / EN 16582-3. Due to the complexity of the product, please download the operating instructions. Your local specialist can answer all your questions such as installation requirements or building code regulations. For more standards and related information see on page 9.



Wide neck built-in skimmer



Filter unit SM Serie



Corner entry (white or blue)



Roman steps (white or blue)



Pipe material



Big Stone (125 x 25 x 50 cm)



Stainless steel ladder

# Classic with floor insulation, 145 cm depth

Item number	Description	Size in cm	Filter unit	Access possibility	Foil thickness in mm	Ground insulation	Counter-current system installation kit	Granite pool edge stone	Skimmer	Inlet nozzle
016150	Classic 1 kit	600 x 300 x 145	Steinbach filter unit SM 12, 12,000 l/h	Stainless steel ladder 4-stepped*	0.80	P 40	○	○	1	4
016152	Classic 2 kit	700 x 350 x 145	Steinbach Filter unit SM 12, 12,000 l/h	Stainless steel ladder 4-stepped*	0.80	P 40	○	○	1	4
016154	Classic 3 kit	800 x 400 x 145	Steinbach Filter unit SM 14, 14,000 l/h	Stainless steel ladder 4-stepped*	0.80	P 40	○	○	1	4
016156	Classic 4 kit	900 x 500 x 145	Steinbach Filter unit SM 16, 16,000 l/h	Stainless steel ladder 4-stepped*	0.80	P 40	○	○	2	6

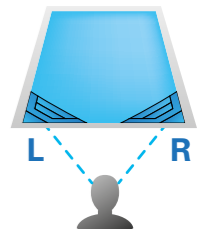
# Classic + with floor insulation, roman steps, 145 cm depth

Item number	Description	Size in cm	Filter unit	Access possibility	Foil thickness in mm	Ground insulation	Counter-current system installation kit	Granite pool edge stone	Skimmer	Inlet nozzle
016250	Classic 1+ kit	600 x 300 x 145	Steinbach Filter unit SM 12, 12,000 l/h	GFK - Roman steps	0.8	P 40	○	○	2	4
016252	Classic 2+ kit	700 x 350 x 145	Steinbach Filter unit SM 12, 12,000 l/h	GFK - Roman steps	0.8	P 40	○	○	2	4
016254	Classic 3+ kit	800 x 400 x 145	Steinbach Filter unit SM 14, 14,000 l/h	GFK - Roman steps	0.8	P 40	○	○	2	4
016256	Classic 4+ kit	900 x 500 x 145	Steinbach Filter unit SM 16, 16,000 l/h	GFK - Roman steps	0.8	P 40	○	○	2	6

# Classic Top with floor insulation, corner step, 145 cm depth

Item number	Description	Size in cm	Filter unit	Access possibility	Foil thickness in mm	Ground insulation	Counter-current system installation kit	Granite pool edge stone	Skimmer	Inlet nozzle
016251	Styrofoam pool complete set Type Classic Top	600 x 300 x 145	Steinbach Filter unit SM 12, 12,000 l/h	GFK - Corner entry**	0.8	P 40	○	○	2	4
016253	Classic Top 2 kit	700 x 350 x 145	Steinbach Filter unit SM 12, 12,000 l/h	GFK - Corner entry**	0.8	P 40	○	○	2	4
016255	Classic Top 3 kit	800 x 400 x 145	Steinbach Filter unit SM 14, 14,000 l/h	GFK - Corner entry**	0.8	P 40	○	○	2	4
016257	Bausatz Classic Top 4	900 x 500 x 145	Steinbach Filter unit SM 16, 16,000 l/h	GFK - Corner entry**	0.8	P 40	○	○	2	6

\*\*This pool set can be delivered with a GFRP corner steps on the left or on the right side (see sketch). When ordering, please provide the correct ending (L or R) for the item number. e.g. 016251L = Pool set with corner steps on the left side, 016251R = Pool set with corner steps on the right side. The article number does not change, just the ending. Without this information, the order can not be processed.



(○) Optional: This article is adapted to the respective pool and is available separately. ! \* Scope of delivery with standard ladder (unsecured access device) ! The maximum load capacity of stainless steel ladders is 150 kg



**NEW**  
Foil colour in Sand optionally possible

# Classic de Luxe

## The set contains:

- Styropor® stones Big Stone 125 x 25 x 50 cm (L x W x H)
- Floor insulation P 80
- Colour Blue 1.0 mm strong high frequency welded liner tank
- <sup>Δ</sup> Colour Sand 0.8 mm strong high frequency welded liner tank
- Aluminium hanging bracket
- Self-supporting special fleece
- Stainless steel ladder
- The filter unit is perfectly matched to your pool size
- Quartz filter sand
- Wide neck built-in skimmer
- Inlet nozzles
- Wall ducting
- Pipe material
- Installation kit for counter current unit

**Important information:** This type of pool is only suitable for building into the ground. The specified dimensions are the inside dimensions = quantity of water. (Length x Width x Depth) Outer dimensions = inside dimensions + 50 cm e.g. 600 x 300 Inside dimensions= 650 x 350 cm Outside dimensions. It is easiest to assemble with a minimum of two people. The effective water depth is - 10 cm from the pool height. Watertightness/Class: W0. EN 16582-1 / EN 16582-3. Due to the complexity of the product, please download the operating instructions. Your local specialist can answer all your questions such as installation requirements or building code regulations. **For more standards-related information see on page 9.**



# Classic de Luxe with floor insulation, 145 cm depth

Item number	Description	Size in cm	Filter unit	Access possibility	Foil thickness in mm	Ground insulation	Counter-current system installation kit	Granite pool edge stone	Skimmer	Inlet nozzle
016170	Classic de Luxe 1 kit	600 x 300 x 145	Steinbach filter unit SM 12, 12,000 l/h	Above ground pool ladder, stainless steel, 4-stepped*	1 <sup>Δ</sup>	P 80	X	○	1	4
016172	Classic de Luxe 2 kit	700 x 350 x 145	Steinbach filter unit SM 14, 14,000 l/h	Stainless steel ladder 4-stepped*	1 <sup>Δ</sup>	P 80	X	○	1	4
016174	Classic de Luxe 3 kit	800 x 400 x 145	Steinbach filter unit SM 16, 16,000 l/h	Stainless steel ladder 4-stepped*	1 <sup>Δ</sup>	P 80	X	○	1	6

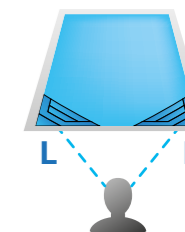
# Classic de Luxe + with floor insulation, roman steps, 145 cm depth

Item number	Description	Size in cm	Filter unit	Access possibility	Foil thickness in mm	Ground insulation	Counter-current system installation kit	Granite pool edge stone	Skimmer	Inlet nozzle
016270	Classic de Luxe 1+ kit	600 x 300 x 145	Steinbach filter unit SM 12, 12,000 l/h	GFK - Roman steps	1 <sup>Δ</sup>	P 80	X	○	2	4
016272	Classic de Luxe 2+ kit	700 x 350 x 145	Steinbach filter unit SM 14, 14,000 l/h	GFK - Roman steps	1 <sup>Δ</sup>	P 80	X	○	2	4
016274	Classic de Luxe 3+ kit	800 x 400 x 145	Steinbach filter unit SM 16, 16,000 l/h	GFK - Roman steps	1 <sup>Δ</sup>	P 80	X	○	2	6

# Classic de Luxe Top with floor insulation, corner step, 145 cm depth

Item number	Description	Size in cm	Filter unit	Access possibility	Foil thickness in mm	Ground insulation	Counter-current system installation kit	Granite pool edge stone	Skimmer	Inlet nozzle
016271	Classic de Luxe Top 1 kit	600 x 300 x 145	Steinbach filter unit SM 12, 12,000 l/h	GFK - Corner Entrance	1 <sup>Δ</sup>	P 80	X	○	2	4
016273	Classic de Luxe Top 2 kit	700 x 350 x 145	Steinbach filter unit SM 14, 14,000 l/h	GFK - Corner Entrance	1 <sup>Δ</sup>	P 80	X	○	2	4
016275	Classic de Luxe Top 3 kit	800 x 400 x 145	Steinbach filter unit SM 16, 16,000 l/h	GFK - Corner Entrance	1 <sup>Δ</sup>	P 80	X	○	2	6

\*\*This pool set can be delivered with a GFRP corner steps on the left or on the right side (see sketch). When ordering, please provide the correct ending (L or R) for the item number. e.g. 016251L = Pool set with corner steps on the left side, 016251R = Pool set with corner steps on the right side. The article number does not change, just the ending. Without this information, the order can not be processed.



(○) Optional: This article is adapted to the respective pool and is available separately. 1<sup>Δ</sup> Scope of delivery with standard ladder (unsecured access device) | The maximum load capacity of stainless steel ladders is 150 kg



**NEW**  
Foil colour in Sand optionally possible

# Highlight

## The set contains:

- Styropor® stones 125 x 25 x 50 cm (L x W x H)
- 0.8 mm strong high frequency welded liner tank
- Roman stairs, available in blue or white
- Granite pool edge stone
- Aluminium hanging bracket
- Self-supporting special fleece
- The filter unit is perfectly matched to your pool size
- Quartz filter sand
- Wide neck built-in skimmer
- Inlet nozzles
- Wall ducting
- Pipe material

**Important information:** This type of pool is only suitable for building into the ground. The specified dimensions are the inside dimensions = quantity of water. (Length x Width x Depth) Outer dimensions = inside dimensions + 50 cm e.g. 600 x 300 Inside dimensions= 650 x 350 cm Outside dimensions. It is easiest to assemble with a minimum of two people. The effective water depth is -10 cm from the pool height. Watertightness/Class: W0. EN 16582-1 / EN 16582-3. Due to the complexity of the product, please download the operating instructions. Your local specialist can answer all your questions such as installation requirements or building code regulations. **For more standards-related information see on page 9.**



## Highlight with roman stairs, Granite pool edge stone, 150 cm depth

Item number	Description	Size in cm	Filter unit	Access possibility	Foil thickness in mm	Ground insulation	Counter-current system installation kit	Granite pool edge stone	Skimmer	Inlet nozzle
016280	Highlight 1 kit	600 x 300 x 150	Steinbach filter unit Compact 8, 9,000 l/h	GFK - Roman steps	0.8	-	○	X	2	2
016282	Highlight 2 kit	700 x 350 x 150	Steinbach filter unit Compact 8, 9,000 l/h	GFK - Roman steps	0.8	-	○	X	2	4
016284	Highlight 3 kit	800 x 400 x 150	Steinbach filter unit Eco Top 10, 14,000 l/h	GFK - Roman steps	0.8	-	○	X	2	4
016286	Highlight 4 kit	900 x 500 x 150	Steinbach filter unit Eco Top 10, 14,000 l/h	GFK - Roman steps	0.8	-	○	X	2	4

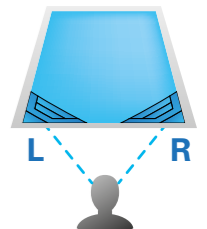
## Highlight de Luxe + with roman stairs, floor insulation, Granite pool edge stone, 145 cm depth

Item number	Description	Size in cm	Filter unit	Access possibility	Foil thickness in mm	Ground insulation	Counter-current system installation kit	Granite pool edge stone	Skimmer	Inlet nozzle
016290	Highlight de Luxe 1 kit	600 x 300 x 145	Steinbach filter unit Compact 8, 9,000 l/h	GFK - Roman steps	0.8	P 40	○	X	2	2
016292	Highlight de Luxe 2 kit	700 x 350 x 145	Steinbach filter unit Compact 8, 9,000 l/h	GFK - Roman steps	0.8	P 40	○	X	2	4
016294	Highlight de Luxe 3 kit	800 x 400 x 145	Steinbach filter unit Eco Top 10, 14,000 l/h	GFK - Roman steps	0.8	P 40	○	X	2	4
016296	Highlight de Luxe 4 kit	900 x 500 x 145	Steinbach filter unit Eco Top 10, 14,000 l/h	GFK - Roman steps	0.8	P 40	○	X	2	4

## Highlight de Luxe Top with corner stairs, floor insulation, Granite pool edge stone, 145 cm depth

Item number	Description	Size in cm	Filter unit	Access possibility	Foil thickness in mm	Ground insulation	Counter-current system installation kit	Granite pool edge stone	Skimmer	Inlet nozzle
016291	Highlight de Luxe Top 1 kit	600 x 300 x 145	Steinbach filter unit Compact 8, 9,000 l/h	GFK - Corner Entrance **	**0.8	P 40	○	X	2	2
016293	Highlight de Luxe Top 2 kit	700 x 350 x 145	Steinbach filter unit Compact 8, 9,000 l/h	GFK - Corner Entrance**	0.8	P 40	○	X	2	4
016295	Highlight de Luxe Top 3 kit	800 x 400 x 145	Steinbach filter unit Eco Top 10, 14,000 l/h	GFK - Corner Entrance**	0.8	P 40	○	X	2	4
016297	Highlight de Luxe Top 4 kit	900 x 500 x 145	Steinbach filter unit Eco Top 10, 14,000 l/h	GFK - Corner Entrance**	0.8	P 40	○	X	2	4

\*\*This pool set can be delivered with a GFRP corner steps on the left or on the right side (see sketch). When ordering, please provide the correct ending (L or R) for the item number. e.g. 016251L = Pool set with corner steps on the left side, 016251R = Pool set with corner steps on the right side. The article number does not change, just the ending. Without this information, the order can not be processed.



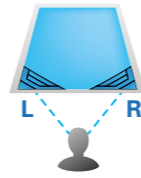
(O) Optional: This article is adapted to the respective pool and is available separately. ! \* Scope of delivery with standard ladder (unsecured access device) | The maximum load capacity of stainless steel ladders is 150 kg

# Rectangular Foils



## How does it work?

- Kit size, foil thickness, select the desired entry level of the ecopool set.
- Now select the desired color in the same line.



- \* Roman steps = Standard
- Ladder = Standard
- Corner steps on the left = left
- Corner steps on the right = right

Adria blue - Item No.	Colour Sand - Item No.	Size in cm	Thickness in mm	Design*
016330	016330SA	600 x 300 x 145	0.8	Standard
016350	-	600 x 300 x 145	1	Standard
016340	-	600 x 300 x 145	1	GFRP - Corner steps on the right
016341	-	600 x 300 x 145	1	GFRP - Corner steps on the left
016320	016320SA	600 x 300 x 145	0.8	GFRP - Corner steps on the right
016321	016321SA	600 x 300 x 145	0.8	GFRP - Corner steps on the left
016310	016310SA	600 x 300 x 150	0.8	Standard
016300	016300SA	600 x 300 x 150	0.8	GFRP - Corner steps on the right
016301	016301SA	600 x 300 x 150	0.8	GFRP - Corner steps on the left
016332	016332SA	700 x 350 x 145	0.8	Standard
016322	016322SA	700 x 350 x 145	0.8	GFRP - Corner steps on the right
016323	016323SA	700 x 350 x 145	0.8	GFRP - Corner steps on the left
016352	-	700 x 350 x 145	1	Standard
016343	-	700 x 350 x 145	1	GFRP - Corner steps on the left
016342	-	700 x 350 x 145	1	GFRP - Corner steps on the right
016302	016302SA	700 x 350 x 150	0.8	GFRP - Corner steps on the right
016303	016303SA	700 x 350 x 150	0.8	GFRP - Corner steps on the left
016312	016312SA	700 x 350 x 150	0.8	Standard
016334	016334SA	800 x 400 x 145	0.8	Standard
016324	016324SA	800 x 400 x 145	0.8	GFRP - Corner steps on the right
016325	016325SA	800 x 400 x 145	0.8	GFRP - Corner steps on the left
016354	-	800 x 400 x 145	1	Standard
016345	-	800 x 400 x 145	1	GFRP - Corner steps on the left
016344	-	800 x 400 x 145	1	GFRP - Corner steps on the right
016304	016304SA	800 x 400 x 150	0.8	GFRP - Corner steps on the right
016305	016305SA	800 x 400 x 150	0.8	GFRP - Corner steps on the left
016314	016314SA	800 x 400 x 150	0.8	Standard
016336	016336SA	900 x 500 x 145	0.8	Standard
016326	016326SA	900 x 500 x 145	0.8	GFRP - Corner steps on the right
016327	016327SA	900 x 500 x 145	0.8	GFRP - Corner steps on the left
016306	016306SA	900 x 500 x 150	0.8	GFRP - Corner steps on the right
016307	016307SA	900 x 500 x 150	0.8	GFRP - Corner steps on the left
016316	016316SA	900 x 500 x 150	0.8	Standard



Pools

## Counter Current Unit - Marlin



**Counter current set Marlin, 230 V / 2.20 KW, 750 l/min**

- For concrete / liner pools
- Incl. flange set and tubing
- Installation kit not included

018201



**Counter current set Marlin, 400 V / 3.30 KW, 1,000 l/min**

- For concrete / liner pools
- Incl. flange set and tubing
- Installation kit not included

018210



**Installation kit for counter current unit Marlin**

- Installation set for counter current unit Marlin

018200

# Individual Components



## Blind plug

- 1 1/2" outer thread
- Twin pack
- Incl. O-ring

060910



## Aluminium hanging bracket for pool liners

- For styrofoam pool liners with wedge piping
- Pole up to 200 cm
- Anodised

016000



## Floor drainage for concrete / liner pools

- Incl. flange
- ABS material
- Connection: 2" inner thread on the side
- Chlorine and salt water resistant

060920



## Floor drainage set for concrete / liner pools

- Set consists of:
- Floor drainage
  - 2 m PVC pipe outer diameter 50
  - PVC ball valve outer diameter 50
  - PVC coupler socket nipple
  - Teflon tape

012298



## Wide neck built-in skimmer Grande 1 for concrete - liner pools

- Fitting 1 1/2"
- Material ABS
- Suction width 37.20 cm
- Suction height 15.50 cm
- Mounting depth 68.10 cm

404307



## Styropor@stone Big Stone

- 125 x 25 x 50 cm (L x W x H)

016040



## Styropor@stone P 25

- 100 x 25 x 25 cm (L x W x H)

016050



## End insert for Styropor@stone Big Stone

- 2 pieces per row and pool corner needed

016049



## End insert for Styropor@stone P 25

- 2 pieces per row and pool corner needed

016059



## Wall ducting for concrete - liner pools

- Connection: 2" outer thread x outer diameter 50
- Length 30 cm
- Material ABS
- Suitable for item no. 404323

404362



## Inlet nozzle for above ground and concrete - liner pools

- Connector: 2" Outer thread with locknut/outer thread 50
- Suitable for wall ducting for concrete - liner pools. item no. 404362

404323

# Individual Components



## Skimmer lid S1

- Width: 14.50 cm
- Height: 12.00 cm

060901



## Filter basket S1

- Ø 16 cm
- Height 7.50 cm

060903



## Screws for skimmer set S1

- Pack of 14 pcs.

060909



## Skimmer flange S1

- Width 21.20 cm (outer/outer)
- Height 20.60 cm

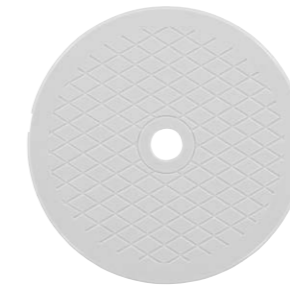
060904



## Inlet nozzle S1

- Connection: Ø 32/38 mm
- 1 1/2" IG
- For all common above ground pools

060905



## Cover for skimmer S1

- Ø 19.50 cm

060908



## Seal kit Skimmer inlet nozzle S1

- Content:
- Consists of 1 x rectangular seal, 3 x round seals.

060912



## Wide mouth extension set for skimmer S1

- To screw onto the front of the Skimmer S1
- Improves the surface suction

060915



## Suction plate S1

- Ø 16 cm
- With hose nozzle Ø 32/38 mm x 1 1/2" outer thread

060902



## Skimmer set S1

- Set consists of:
- Skimmer
  - Pool inlet nozzles
  - Suction plate for floor cleaner
  - Suitable for almost all steel wall pools

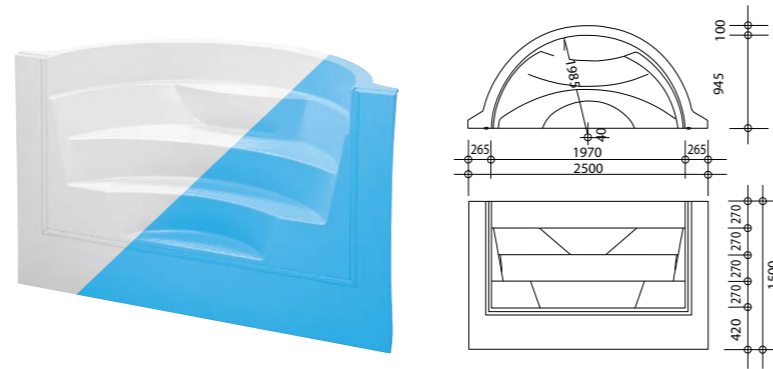
060900

# Individual Components

## Roman steps made of fibreglass reinforced plastic

- 016080 white
- Acrylic coated
  - Height 150 cm
  - Width 250 cm

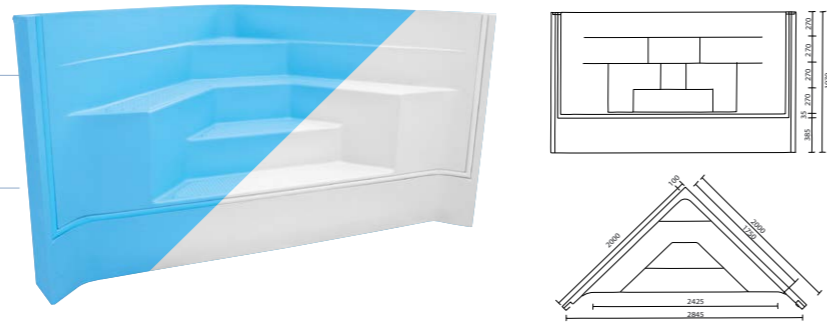
- 016080B blue
- Acrylic coated
  - Height 150 cm
  - Width 250 cm



## Corner steps fibreglass reinforced plastic

- 016085 \*\* white
- Acrylic coated
  - Height 150 cm
  - 200 x 200 cm

- 016085B \*\* blue
- Acrylic coated
  - Height 150 cm
  - 200 x 200 cm



## Granite Pool edge stone

- 018100 Granite pool edge stone straight design  
120 x 33 x 3 cm (L x W x H), straight design, flamed version, crystal grey

- 018110 Granite pool edge stone corner  
43 x 43 x 3 cm (L x W x H), corner part, flamed version, crystal grey

- 018130 Granite pool edge stone, full set for styrofoam pool 600 x 300 cm  
Set consists of: 15 straight tiles 120 x 33 x 3 cm (L x W x H), 4 corner pieces 43 x 43 x 3 cm (L x W x H), flat and flamed design, crystal grey

- 018132 Granite pool edge stone, full set for styrofoam pool 700 x 350 cm  
Set consists of: 18 straight tiles 120 x 33 x 3 cm (L x W x H), 4 corner pieces 43 x 43 x 3 cm (L x W x H), flat and flamed design, crystal grey

- 018134 Granite pool edge stone, full set for styrofoam pool 800 x 400 cm  
Set consists of: 20 straight tiles 120 x 33 x 3 cm (L x W x H), 4 corner pieces 43 x 43 x 3 cm (L x W x H), flat and flamed design, crystal grey

- 018136 Granite pool edge stone, full set for styrofoam pool 900 x 500 cm  
Set consists of: 24 straight tiles 120 x 33 x 3 cm (L x W x H), 4 corner pieces 43 x 43 x 3 cm (L x W x H), flat and flamed design, crystal grey

- 018150 Granite pool edge stone, Roman steps set 250 cm  
Set consists of 3 curved tiles and 2 joining tiles, flat and flamed design, crystal grey

This pool set can be delivered with a GRP corner entry on the left or right side (see sketch). Please indicate the correct ending (L or R) at the item number when ordering.  
E.g. 016271L = pool set with corner entry on the left, 016271R = pool set with corner entry on the right. The item number does not change, only the ending. Without this information the order cannot be carried out.

# Individual Components



## PVC 3 way ball valve

- PN 10
- D 50

062110



## PVC ball valve

- PN 10
- D 50

062010



## PVC relief valve

- 3/4" (1.90 cm) AG x NW 16

062150



## PVC one way valve

- PN 16
- D 50

062120



## PVC elbow 90°

- PN 10
- D 50

062020



## PVC elbow 45°

- PN 10
- D 50

062030



## PVC T piece 90°

- PN 10
- D 50

062040



## PVC reducing pipe elbow 90°

- PN 16
- 40/50 x 50 mm

062140



## PVC socket

- PN 10
- D 50

062050



## PVC insert, PN 10, D 50 / IG 3/4'

- Outer diameter 50 x 3/4" inner thread

062100



## PVC screw fitting glued socket x glued socket

- PN 16
- D 50

062060



## PVC coupler nipple, glued socket x outer thread

- PN 10
- D 50 x 2" (5.08 cm)

062080



# Individual Components



## PVC coupler screw fitting glued socket x outer thread

- With O-ring
- PN 16
- D 50 x 1 1/2" (3.81 cm)

062130



## PVC coupler screw fitting socket for PVC flex hose

- D 50 clip x outer diameter 50 glued socket

062320



## PVC coupler nipple, glued socket x outer thread

- PN 10
- D 50 x 1 1/2" (3.81 cm)

062090



## PVC coupler nipple, glued socket x inner thread

- PN 16
- 50/40 x 1 1/2" (3.81 cm) IG

062160



## PVC joint screw fitting inner thread for PVC flex hose

- D 50 clip x 1 1/2" inner thread

062335



## PVC joint screw fitting outer thread for PVC flex hose

- D 50 clip x 1 1/2" outer thread

062325



## PVC Cleaner with brush

- For glueing PVC individual components
- Incl. brush
- Contents 250 g

062902



## PVC Cleaner with brush

- For glueing PVC individual components
- Incl. brush
- Contents 500 g

062904



## Cable connection box

- For underwater spotlights

060949



## PVC joint elbow 90° for PVC flex hose

- D 50 glued socket x D 50 clip

062345



## PVC pipe

- PN 10
- DA 50
- Pipe to 2 m, lugged

062200



## Pipe clips

- Plastic
- D 50

062070



## PVC flex hose

- D 50
- Roll to 25 m

062300



## PVC adhesive - tube

- For glueing PVC pipes and PVC fittings
- Content 125 g

062900



## PVC Cleaner

- For cleaning PVC individual components before glueing
- Contents 125 ml

062920



## Underwater spotlights for liner pools

- Bulb 300 W/12 V (PAR 56)
- Fitting niche, flange
- Cable protection sleeve
- 1.50 m cable
- Panel Ø 28 cm

Transformer required:

- 300 VA for 1 spotlight, 1 x 300 Watt, connection 12 V, IP 65
- 600 VA for 2 spotlights, 2 x 300 Watt, connection 12 V, IP 65

060940



## Replacement bulb 300 W/12 V, PAR 56

- For underwater swimming pool spotlights 300 W/12 V, PAR 56

401412



## Replacement bulb 300 W/12 V, PAR 56

- For underwater swimming pool spotlights 300 W/12 V, PAR 56

401412



## Transformer 50 VA

- 50 VA for 1 headlight
- 1 x 50 watts
- Connection 12 V, IP 65

412118E



## Transformer 100 VA

- 100 VA for 2 headlights
- 2 x 50 watts
- Connection 12 V/6 mm<sup>2</sup>, IP 65

412119L



## Transformer 600 VA

- 600 VA for 2 headlights
- 2 x 300 watts
- Connection 12 V/6 mm<sup>2</sup>, IP 65

401422C

# Dosage/Saltwater System



## Salty de Luxe P4 - Professional saltwater system

- Professional system for built-in solid and polyester pools
- Can be used for maximum water content up to 50 m<sup>3</sup>
- Reduces the required amount of chlorine by up to 70%
- Required amount of salt approx. 5 kg/m<sup>3</sup> water
- Maximum chlorine production 15 g/h

018250



## Salty de Luxe P6 - Professional saltwater system

- Professional system for built-in solid and polyester pools
- Can be used for maximum water content up to 80 m<sup>3</sup>
- Reduces the required amount of chlorine by up to 70%
- Required amount of salt approx. 5 kg/m<sup>3</sup> water
- Maximum chlorine production 20 g/h

018251



**pH-regulator:**  
pH regulation independent  
of the water treatment method,  
for subsequent  
installation suitable, for  
fixed piping

## Automatic pH regulator

A steady pH level is the basis for water treatment in your swimming pool. Automatic regulation of the pH level ensures optimal efficiency in regards of water treatment.

- Compatible with all types of treatment
- Permanent checking and display of the pH level
- Automatic regulation by addition of pH Minus
- Easy programming of minimum and maximum pH levels
- Automatic or manual function
- Simple, space-saving installation
- A perfect addition to any salt water system

018255



## Automatic chlorine dosage unit

This dosage unit takes over daily control of the chlorine level. If required, the amount of liquid chlorine needed can be applied directly to the pool water. This guarantees consistent water quality. It can also be easily retro-fitted into existing pools.

- Permanent checking and display of the Redox level
- Automatic regulation by addition of liquid chlorine
- Simple and space-saving installation

018260



## Sea salt for salt water systems and electrolysis units

- Required quantity:
- Krystal Clear Salt Water System® approx. 3 kg/m<sup>3</sup> water
  - Salty de Luxe Pro Salt Water System approx. 5 kg/m<sup>3</sup> water

070690



## Quicktest strips for salinity

- 20 pcs
- Fast and accurate measurement of salinity
- For pool or whirlpool

079025



**ULTRA  
XTR**



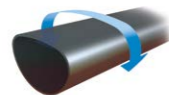
- Extra strong and durable pool foil
- Pool frame made of high-quality, powder-coated steel
- Precision-made locking system for quick assembly and disassembly

## Frame Pool Set Ultra Rondo XTR

Including INTEX Hydro Aeration Technology™ see page 62



T-joint



Innovative Frame Design made of high-quality, powder-coated steel



Frame parts can be assembled easily



3-ply SUPER-TOUGH® MATERIAL

Maximum pool experience with our innovative Ultra XTR Frame™ pools. With the classic round shape, an elegant dark grey outer lining and the water blue tiled interior, the pools of the INTEX Frame Pool Set Ultra Rondo XTR series are an absolute eye-catcher. The uniquely designed frame combines a high quality galvanized steel pool frame with a precision-engineered lock system, thereby improving the quality, rust resistance and stability of the pools. The extra reinforced pool foil ensures higher tear resistance and longevity of your pool. The Easy Lock System™ allows a quick and easy installation of these pools, simply snap the frame components together. There are no additional tools or locking pins necessary. The high quality guarantees the great popularity of these pools. Add summer fun and beauty to any garden with these luxury pools!

**Important notes:** This pool is not suitable for building into the ground. Assembly is easiest with two people. Approximate assembly time, depending on the equipment option and size, is about 45 minutes (without preparation work for sub-construction or filling). Watertightness/Class: W0. EN 16582-1 / EN 16582-3. Pool assembly requires an appropriately prepared setup site. This must be absolutely flat and even. The sub-surface must be solid enough to accommodate the weight of a filled pool regardless of the weather. In addition, escaping pool water must be able to flow off easily without causing any damage. Not winterproof. Symbolic photos - The pictures shown are for reference only, the actual product may vary.



Ground-/Pool Cover



SF90220RC-1



SF80220RC-2



SF70220RC-2



Safety ladder

Item number	Size	Filter unit	Water capacity	Safety ladder	Ground cloth	Pool cover	Hoses	Cleaning set	Skimmer	Foil thickness	Wall thickness
126326GN	Ø 488 x 122 cm	Sand Filter Unit SF90220RC-1, 3,700 l/h, GS	19,156 l	X	X	X	X	○	○	0.55 mm	0.68 mm
126330GN	Ø 549 x 132 cm	Sand Filter Unit SF80220RC-2, 4,700 l/h, GS	26,423 l	X	X	X	X	○	○	0.55 mm	0.64 mm
126334GN	Ø 610 x 122 cm	Sand Filter Unit SF80220RC-2, 4,700 l/h, GS	30,079 l	X	X	X	X	○	○	0.55 mm	0.68 mm
126340GN	Ø 732 x 132 cm	Sand Filter Unit SF70220RC-2, 7,200 l/h, GS	47,241 l	X	X	X	X	○	○	0.55 mm	0.68 mm

(X) Included in delivery. I (X\*) Supplied with standard ladder (unsecured access device). I (O) Optional: This item is adapted to the respective pool and is available separately.

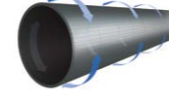
**ULTRA  
XTR**



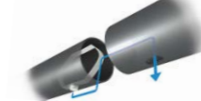
- Extra strong and durable pool foil
- Pool frame made of high-quality, powder-coated steel
- Precision-made locking system for quick assembly and disassembly

## Frame Pool Set Ultra Quadra XTR

Including INTEX Hydro Aeration Technology™ see page 62



Innovative Frame Design made of high-quality, powder-coated steel



Frame parts can be assembled easily



3-ply SUPER-TOUGH® MATERIAL

Maximum pool experience with our innovative Ultra XTR Frame™ pools. With the classic rectangular shape, an elegant dark grey outer lining and the water blue tiled interior, the pools of the INTEX Ultra XTR Premium Pool series are an absolute eye-catcher. The uniquely designed frame combines a high quality galvanized steel pool frame with a precision-engineered lock system, thereby improving the quality, rust resistance and stability of the pools. The extra reinforced pool foil ensures higher tear resistance and longevity of your pool. The Easy Lock System™ allows a quick and easy installation of these pools, simply snap the frame components together. There are no additional tools or locking pins necessary. The high quality guarantees the great popularity of these pools. Add summer fun and beauty to any garden with these luxury pools!

**Important notes:** This pool is not suitable for building into the ground. Assembly is easiest with two people. Approximate assembly time, depending on the equipment option and size, is about 60 minutes (without preparation work for sub-construction or filling). Watertightness/Class: W0. EN 16582-1 / EN 16582-3. Pool assembly requires an appropriately prepared setup site. This must be absolutely flat and even. The sub-surface must be solid enough to accommodate the weight of a filled pool regardless of the weather. In addition, escaping pool water must be able to flow off easily without causing any damage. Not winterproof. Symbolic photos - The pictures shown are for reference only, the actual product may vary.



Ground-/Pool Cover



SF90220RC-1



SF80220RC-2



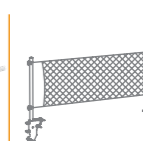
SF70220RC-2



ECO-15220-2 or ECO-20220-1



Cleaning set



Volleyball Set



Safety ladder

Item number	Size	Filter unit	Water capacity	Safety ladder	Ground cloth	Pool cover	Hoses	Cleaning set	Skimmer	Volleyball Set	Foil thickness	Wall thickness
126356GN	549 x 274 x 132 cm	Sand Filter Unit SF90220RC-1, 3,700 l/h, GS	17,203 l	X	X	X	X	○	○	○	0.73 mm	0.73 mm
126364GN	732 x 366 x 132 cm	Sand Filter Unit SF80220RC-2, 4,700 l/h, GS	31,805 l	X	X	X	X	○	○	○	0.73 mm	0.73 mm
126368NP	732 x 366 x 132 cm	Sand Filter & Salt Water Unit ECO-15220-2 / CG-26675, 7,500 l/h	31,805 l	X	X	X	X	X	X	X	0.73 mm	0.73 mm
126374GN	975 x 488 x 132 cm	Sand Filter Unit SF70220RC-2, 7,200 l/h, GS	54,368 l	X	X	X	X	○	○	○	0.73 mm	0.73 mm
126378NP	975 x 488 x 132 cm	Sand Filter & Salt Water Unit ECO-20220, 8,000 l/h	54,368 l	X	X	X	X	X	X	X	0.73 mm	0.73 mm

(X) Included in delivery. I (X\*) Supplied with standard ladder (unsecured access device). I (O) Optional: This item is adapted to the respective pool and is available separately.



## Premium Frame Pool Set Prism Greywood

Including INTEX Hydro Aeration Technology™ see page 62

The INTEX Premium Frame Pool Set Prism Greywood series captivates by its modern color scheme and thereby reaches a unique level of elegance. The realistic looking, dark grey wood look of the INTEX pool fits perfectly into your garden and creates an incomparable ambience. The uniquely designed pool frame made of high-quality powder-coated steel improves the rust resistance, durability and stability of your pool. The luxury pool has innovative and extremely robust T-connectors that make it even easier to assemble and install your pool. No additional tools or safety pins are required.

This pool is not suitable for building into the ground. Assembly is easiest with two people. Approximate assembly time, depending on the equipment option and size, is about 45 minutes (without preparation work for sub-construction or filling). Watertightness/Class: W0. EN 16582-1 / EN 16582-3. Pool assembly requires an appropriately prepared setup site. This must be absolutely flat and even. The sub-surface must be solid enough to accommodate the weight of a filled pool regardless of the weather. In addition, escaping pool water must be able to flow off easily without causing any damage. Not winterproof. Symbolic photos - The pictures shown are for reference only, the actual product may vary.

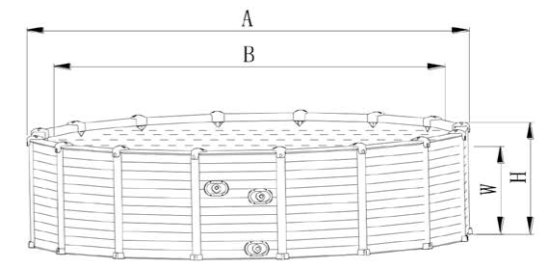


## Frame Pool Set Graphite

Including INTEX Hydro Aeration Technology™ see page 62

The new high-end panel pools from INTEX bring quality and an attractive look to your garden. Being Ø 478 x 124 cm in size, they offer space for the whole family for playing, romping around, or just relaxing. The graphite-coloured plastic panels not only have a natural wooden look, they also ensure stability, strength and resistance. This pool comes with a comprehensive range of equipment including a sand filter unit.

**Important notes:** This pool is not suitable for building into the ground. Assembly is easiest with two people. Approximate assembly time, depending on the equipment option and size, is about 90 minutes (without preparation work for sub-construction or filling). Watertightness/Class: W0. EN 16582-1 / EN 16582-3. Pool assembly requires an appropriately prepared setup site. This must be absolutely flat and even. The sub-surface must be solid enough to accommodate the weight of a filled pool regardless of the weather. In addition, escaping pool water must be able to flow off easily without causing any damage. Not winterproof. Symbolic photos - The pictures shown are for reference only, the actual product may vary.



Size in cm	A (cm)	B (cm)	H (cm)	W (cm)
Ø 478 x 124 cm	478	439	124	107

Item number	Size	Filter unit	Water capacity	Recommended water depth	Filtertype	Pool cover	Ground cloth	Safety ladder	Cleaning set	Skimmer
126742GN	Ø 457 x 122 cm	Cartridge filter unit ECO 638G, 3,407 l/h, GS	16,805 l	107 cm		X	X	X	O	O
126744GN	Ø 549 x 122 cm	Cartridge filter unit OPTIMO 636G, 5,678 l/h, GS	24,311 l	107 cm		X	X	X	O	O

(X) Included in delivery. I (X\*) Supplied with standard ladder (unsecured access device). I (O) Optional: This item is adapted to the respective pool and is available separately.

Item number	Size	Filter unit	Water capacity	Recommended water depth	Pool cover	Ground cloth	Safety ladder	Cleaning set	Skimmer	Foil thickness	Wall thickness
126384GN	Ø 478 x 124 cm	Sand Filter Unit SF90220RC-1, 3,700 l/h, GS	16,805 l	107 cm	X	X	X	O	O	0.51 mm	0.58 mm

(X) Included in delivery. I (X\*) Supplied with standard ladder (unsecured access device). I (O) Optional: This item is adapted to the respective pool and is available separately.



## Frame Pool Set Prism Rondo

Including INTEX Hydro Aeration Technology™ see page 62

Enjoy the summer in your new INTEX Frame Pool Prism Rondo. This pool series has a strong metal frame and a sturdy pool foil for extra durability. The attractive exterior and the elegant, water-blue tile interior create the perfect look in your garden. Quick and easy installation and unbeatable value for money distinguish these pools. An INTEX filter unit is (depending on the equipment) included in the set and promises optimal filtration and crystal clear pool water. Experience an unforgettable summer with lots of fun and plenty of relaxing bathing.

**Important notes:** This pool is not suitable for building into the ground. Assembly is easiest with two people. Approximate assembly time, depending on the equipment option and size, is about 30 minutes (without preparation work for sub-construction or filling). Watertightness/Class: W0. EN 16582-1 / EN 16582-3. Pool assembly requires an appropriately prepared setup site. This must be absolutely flat and even. The sub-surface must be solid enough to accommodate the weight of a filled pool regardless of the weather. In addition, escaping pool water must be able to flow off easily without causing any damage. Not winterproof. Symbolic photos - The pictures shown are for reference only, the actual product may vary.



Ground- / Pool Cover



Filter pump Eco



Safety ladder



Filter pump Eco



Safety ladder

Item number	Size	Filter unit	Water capacity	Recommended water depth	Filter type	Pool cover	Ground cloth	Safety ladder	Cleaning set	Skimmer
126700NP	Ø 305 x 76 cm	-	4,485 l	61 cm	-	○	○	○	○	○
126702GN	Ø 305 x 76 cm	Cartridge filter unit ECO 602G, 1,250 l/h, GS	4,485 l	61 cm	-	-	-	-	○	○
126710NP	Ø 366 x 76 cm	-	6,503 l	61 cm	-	-	-	-	○	○
126712GN	Ø 366 x 76 cm	Cartridge filter unit ECO 604G, 2,271 l/h, GS	6,503 l	61 cm	-	-	-	-	○	○
126716GN	Ø 366 x 99 cm	Cartridge filter unit ECO 604G, 2,271 l/h, GS	8,592 l	84 cm	-	-	-	X	○	○
126724GN	Ø 457 x 107 cm	Cartridge filter unit ECO 638G, 3,407 l/h, GS	14,614 l	91 cm	X	X	X	X	○	○
126726GN	Ø 457 x 122 cm	Cartridge filter unit ECO 638G, 3,407 l/h, GS	16,805 l	107 cm	X	X	X	X	○	○
126756GN	Ø 610 x 132 cm	Cartridge filter unit OPTIMO 636G, 5,678 l/h, GS	32,695 l	117 cm	X	X	X	X	○	○

(X) Included in delivery. I (○) Optional: This item is adapted to the respective pool and is available separately.



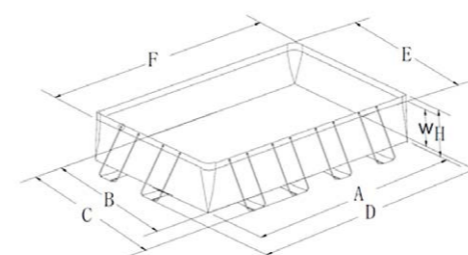
## Frame Pool Set Prism Quadra

Including INTEX Hydro Aeration Technology™ see page 62

The space-saving and high quality way to enjoy bathing fun. The familiar, global top quality from INTEX in the area of rectangular pools is now also available in smaller sizes. Easy to assemble, robust and long-lasting. The solid, circumferential design guarantees a high degree of stability and a long life. Assembly is easy and can be done without tools. Refreshment, fun and a good mood are guaranteed with these pools.

**Important notes:** This pool is not suitable for building into the ground. Assembly is easiest with two people. Approximate assembly time, depending on the equipment option and size, is about 60 minutes (without preparation work for sub-construction or filling). Watertightness/Class: W0. EN 16582-1 / EN 16582-3. Pool assembly requires an appropriately prepared setup site. This must be absolutely flat and even. The sub-surface must be solid enough to accommodate the weight of a filled pool regardless of the weather. In addition, escaping pool water must be able to flow off easily without causing any damage. Not winterproof. Symbolic photos - The pictures shown are for reference only, the actual product may vary.

Item number	Size	Filter unit	Water capacity	Recommended water depth	Filter type	Pool cover	Ground cloth	Safety ladder	Cleaning set	Skimmer
126784GN	300 x 175 x 80 cm	ECO 604G, 2,271 l/h, GS	3,539 l	62 cm	A	○	○	X*	○	○
126788GN	400 x 200 x 100 cm	ECO 604G, 2,271 l/h, GS	6,836 l	84 cm	A	○	○	X	○	○
<b>NEW</b> 126790GN	400 x 200 x 122 cm	ECO 604G, 2,271 l/h, GS	8,418 l	104 cm	A	X	X	X	○	○
126792GN	488 x 244 x 107 cm	ECO 638G, 3,407 l/h, GS	10,874 l	89 cm	A	X	X	X	○	○



	Size in cm							
	A (cm)	B (cm)	H (cm)	C (cm)	D (cm)	E (cm)	F (cm)	W (cm)
126784GN	300	175	80	208	340	160	292	62
126788GN	400	200	100	259	465	178	376	84
126790GN	400	200	122	259	465	178	376	104
126792GN	488	244	107	298	540	234	476	89

(X) Included in delivery. I (X\*) Supplied with standard ladder (unsecured access device). I (○) Optional: This item is adapted to the respective pool and is available separately.



## Easy Set Pools®

A classic amongst swimming pools. Easy Set Pools®, from the world's number 1 INTEX, have enjoyed enormous popularity for many years now. We offer these pools in the widest possible range of size and equipment options. Just choose the right size and equipment that fits your family or your garden best. Exceptionally short assembly times, and an unbeatable balance of price and performance are the hallmark of these pools. For optimal filtering, we exclusively recommend the use of INTEX filter units type ECO. Not only do these give you great filtration, they also have all the required connections. The filter unit is (depending on the equipment) included with the set. Experience an unforgettable summer in your own garden with the INTEX Easy Set Pools®. Family and friends will be thrilled!

**Important notes:** This pool is not suitable for building into the ground. Assembly is easiest with two people. Approximate assembly time, depending on the equipment option and size, is about 15 minutes (without preparation work for sub-construction or filling). Watertightness/Class: W0. EN 16582-1 / EN 16582-3. Pool assembly requires an appropriately prepared setup site. This must be absolutely flat and even. The sub-surface must be solid enough to accommodate the weight of a filled pool regardless of the weather. In addition, escaping pool water must be able to flow off easily without causing any damage. Symbolic photos - The pictures shown are for reference only, the actual product may vary.

## Frame Pool Set Family

The fun pool for the whole family. We offer these pools in various sizes. Exceptionally short assembly times, and an unbeatable balance of price and performance are the hallmark of these pools. The frame guarantees high stability. For optimal filtering, we exclusively recommend INTEX filter units type ECO (not included). Not only do these give you great filtration, they also come with all the required connections. Refreshment, fun and a good mood for the whole family are guaranteed with these pools of the Frame Pool Set Family series.

**Important notes:** This pool is not suitable for building into the ground. Assembly is easiest with two people. Approximate assembly time, depending on the equipment option and size, is about 30 minutes (without preparation work for sub-construction or filling). Watertightness/Class: W0. EN 16582-1 / EN 16582-3. Pool assembly requires an appropriately prepared setup site. This must be absolutely flat and even. The sub-surface must be solid enough to accommodate the weight of a filled pool regardless of the weather. In addition, escaping pool water must be able to flow off easily without causing any damage. Symbolic photos - The pictures shown are for reference only, the actual product may vary.



Ground- / Pool Cover



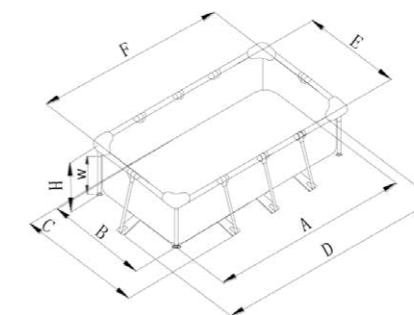
Filter pump Eco



Safety ladder



Filter pump Eco



Size in cm	A (cm)	B (cm)	H (cm)	C (cm)	D (cm)	E (cm)	F (cm)	W (cm)
220 x 150 x 60 cm	220	150	60	201	269	137	211	51
260 x 160 x 65 cm	260	160	65	208	310	150	254	56
300 x 200 x 75 cm	300	200	75	259	361	180	282	66
450 x 220 x 84 cm	450	220	84	281	512	208	439	76

Item number	Size	Filter unit	Water capacity	Wasserfläche (Ø cm)	Recommended water depth	Filtertype	Pool cover	Ground cloth	Safety ladder	Cleaning set	Skimmer
128120NP	Ø 305 x 76 cm	-	3,835 l	249 cm	58 cm	-	○	○	○	○	○
128122GN	Ø 305 x 76 cm	KartuschenFilter unit ECO 602G, 1,250 l/h, GS	3,853 l	249 cm	58 cm	H	○	○	○	○	○
128130NP	Ø 366 x 76 cm	-	5,621 l	310 cm	58 cm	-	○	○	○	○	○
128132NP	Ø 366 x 76 cm	KartuschenFilter unit ECO 604, 2,006 l/h	5,621 l	310 cm	58 cm	A	○	○	○	○	○
128132GN	Ø 366 x 76 cm	KartuschenFilter unit ECO 604G, 2,271 l/h, GS	5,621 l	310 cm	58 cm	A	○	○	○	○	○
128143NP	Ø 396 x 84 cm	-	7,290 l	330 cm	66 cm	-	○	○	○	○	○
126168GN	Ø 457 x 122 cm	KartuschenFilter unit ECO 638G, 3,407 l/h, GS	14,141 l	371 cm	104 cm	A	X	X	X	○	○

(X) Included in delivery. I (X\*) Supplied with standard ladder (unsecured access device). I (O) Optional: This item is adapted to the respective pool and is available separately.

Item number	Size	Filter unit	Water capacity	Recommended water depth	Pool cover	Ground cloth	Ladder	Cleaning set	Skimmer
128270NP	220 x 150 x 60 cm	-	1,662 l	51 cm	-	○	○	○	○
128271NP	260 x 160 x 65 cm	-	2,282 l	56 cm	-	○	○	○	○
128272NP	300 x 200 x 75 cm	-	3,834 l	66 cm	○	○	○	○	○
128273NP	450 x 220 x 84 cm	-	7,127 l	76 cm	○	○	○	○	○
<b>NEW</b> 128274GN	450 x 220 x 84 cm	ECO 604G, 2,271 l/h, GS	7,127 l	76 cm	○	○	○	○	○

(X) Included in delivery. I (X\*) Supplied with standard ladder (unsecured access device). I (O) Optional: This item is adapted to the respective pool and is available separately.



## Frame Pool Set "Beachside"

Including INTEX Hydro Aeration Technology™ see page 62

Experience pure a beach feeling in your own home. With the photorealistic ocean print on the inside and bottom of your pool, you will dive into a beautiful underwater world. The appealing look of the INTEX „Beachside“ series makes your pool an absolute eye-catcher in your garden. This pool series has a strong metal frame and a robust pool liner for extra durability. The innovative plug connection system allows you a quick and easy installation without the use of additional tools. With the Frame Pool Set „Beachside“ series from INTEX you can easily bring the sea into your own garden.

**Important notes:** This pool is not suitable for building into the ground. Assembly is easiest with two people. Approximate assembly time, depending on the equipment option and size, is about 30 minutes (without preparation work for sub-construction or filling). Watertightness/Class: W0. EN 16582-1 / EN 16582-3. Pool assembly requires an appropriately prepared setup site. This must be absolutely flat and even. The sub-surface must be solid enough to accommodate the weight of a filled pool regardless of the weather. In addition, escaping pool water must be able to flow off easily without causing any damage. Not winterproof. Symbolic photos - The pictures shown are for reference only, the actual product may vary.



Filter pump Eco



## Frame Pool Set Prism Oval

Including INTEX Hydro Aeration Technology™ see page 62

Immerse yourself in your personal bathing pleasure with the Prism Frame™ Oval Pools. The premium features include powder-coated steel frames for optimum rust resistance, a new, visually appealing design and a reinforced pool liner for improved durability. These elegantly shaped pools offer a great combination of size and volume of water for maximum bathing pleasure. The powerful cartridge filter unit with integrated Hydro Aeration Technology™ ensures crystal clear pool water and a unique pool experience. The INTEX Hydro Aeration Technology™ improves the circulation, filtration, water clarity and the air quality of your pool. Experience pure summer fun with the Frame Pool Set Prism Oval.

**Important notes:** This pool is not suitable for building into the ground. Assembly is easiest with two people. Approximate assembly time, depending on the equipment option and size, is from 60 minutes (without preparation work for sub-construction or filling). Watertightness/Class: W0. EN 16582-1 / EN 16582-3. Pool assembly requires an appropriately prepared setup site. This must be absolutely flat and even. The sub-surface must be solid enough to accommodate the weight of a filled pool regardless of the weather. In addition, escaping pool water must be able to flow off easily without causing any damage. Not winterproof. Symbolic photos - The pictures shown are for reference only, the actual product may vary.



Pool Cover



Ground Cover



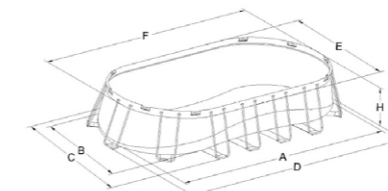
Filter pump OPTIMO



Safety ladder

Item number	Size	Filter unit	Water capacity	Recommended water depth	Pool cover	Ground cloth	Ladder	Cleaning set	Skimmer	Skimmer
128208GN	Ø 305 x 76 cm	Cartridge filter unit ECO 602G, 1,250 l/h, GS	4,485 l	67 cm	A	O	O	O	O	O

Item number	Size	Filter unit	Water capacity	Recommended water depth	Pool cover	Ground cloth	Ladder	Cleaning set	Skimmer	Foil thickness	Wall thickness
126796GN	503 x 274 x 122 cm	Cartridge filter unit OPTIMO 636G, 5,678 l/h, GS	13,365 l	104 cm	A	X	X	X	O	0.69 mm	0.69 mm
126798GN	610 x 305 x 122 cm	Cartridge filter unit OPTIMO 636G, 5,678 l/h, GS	18,202 l	104 cm	A	X	X	X	O	0.69 mm	0.69 mm



Size in cm	A (cm)	B (cm)	H (cm)	C (cm)	D (cm)	E (cm)	F (cm)	W (cm)
503 x 274 x 122 cm	503	274	122	330	556	257	488	104
610 x 305 x 122 cm	610	305	122	361	665	284	597	104

(X) Included in delivery. I (X\*) Supplied with standard ladder (unsecured access device). I (O) Optional: This item is adapted to the respective pool and is available separately.

(X) Included in delivery. I (X\*) Supplied with standard ladder (unsecured access device). I (O) Optional: This item is adapted to the respective pool and is available separately.

# Accessories for Above Ground Pools



Types:  
112351, 112352, 112353

Types:  
112354, 112355



## INTEX HydroAeration Technology™

### Improved circulation and Filtration

Fine particles in the water clump together and settle to the bottom of the pool during the aeration process, making it easier to filter and remove sediments through the filtration system. The improved filtration and circulation make the pool water healthier and softer.

### Improved water clarity

By mixing air with water, the aeration process includes oxidation of iron and manganese, eliminating staining in water. The result is sparkling pool water that looks and feels great!

### Increased negative ions at the water surface

Increased negative ions have been proven to improve the air freshness around the pool as it removes air pollutants and neutralizes free radicals that affects air quality.

The INTEX Hydro Aeration Technology™ improves circulation, filtration and water clarity of your pool, as well as the air quality.

### Hydro Aeration Set 300

112351 The Hydro Aeration Technology™ is suitable for Intex Pools with a hose connection of Ø 32 mm and a filter unit with a performance of 1,100 l/h. The INTEX Hydro Aeration Technology™ improves the circulation, filtration, water clarity and the air quality of your pool.

### Hydro Aeration Set 500

112352 The Hydro Aeration Technology™ is suitable for Intex Pools with a hose connection of Ø 32 mm and a filter unit with a performance of 1,800 l/h.

### Hydro Aeration Set 1000

112353 The Hydro Aeration Technology™ is suitable for Intex Pools with a hose connection of Ø 32 mm and a filter unit with a performance of 2,800 l/h. The INTEX Hydro Aeration Technology™ improves the circulation, filtration, water clarity and the air quality of your pool.

### Hydro Aeration Set 1050

112354 The Hydro Aeration Technology™ is suitable for Intex Pools with a hose connection of Ø 38 mm and a filter unit with a performance of 4,000 l/h. The INTEX Hydro Aeration Technology™ improves the circulation, filtration, water clarity and the air quality of your pool.

### Hydro Aeration Set 1900

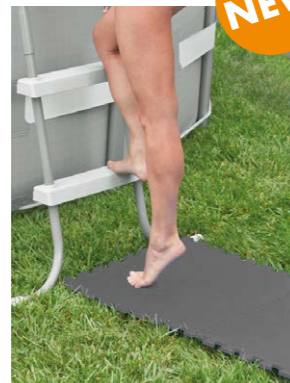
112355 The Hydro Aeration Technology™ is suitable for Intex Pools with a hose connection of Ø 38 mm and a filter unit with a performance of 7,200 l/h. The INTEX Hydro Aeration Technology™ improves the circulation, filtration, water clarity and the air quality of your pool.



### Padded floor protection

- 50 x 50 x 0.5 cm (L x W x H)
- Made of durable, long-lasting PE
- 8 pieces per package (1.9 m²)
- Quick and easy to install
- Space-saving storage
- Offers additional protection around the pool

129084



NEW



### Pool bench for INTEX Frame Pool Set

- For INTEX Frame Pools (INTEX Metal Frame, Prism Frame and Ultra XTR Frame Pools)
- Easy installation without additional use of tools
- Wide seat and backrest for comfortable use
- Foldable for more flexibility
- Maximum load capacity: 100 kg

128053



NEW



### LED pool lighting with remote control

- Ø 15 x 3 cm (L x H)
- Attached with magnet or free floating
- 2 different levels of brightness
- Remote control
- Not suitable for salt water pools
- Requires 3 x AA batteries (batteries not included)

060060



### LED pool lighting for above ground pools

- Ø 8.70 x 3.50 cm (L x H)
- 230 V / 12 V
- Casing: IPX8
- 6 bright LEDs provide a pleasant ambience
- Easy mounting by magnetic attachment up to 1 m depth
- For all standard installation pools up to 0.80 mm wall thickness
- Cable length approx. 600 cm

060050



### LED underwater light show

- Ø 16 x 10 cm (L x H)
- Watertight acrylic housing
- 4 bright LED's
- 4 different colours
- 7 different light effects
- Requires 3 x AA batteries (not included in the delivery)

060055



### Jet Light - inlet nozzle with LED lighting

- For all conventional steel wall pools with a cut-out for inlet nozzles between Ø 5.90 - 6.50 cm
- Transformer 230 V / 12 V
- Hose connection 1 1/2" IG
- Swiveling nozzle head
- 6 white high-power LEDs
- Connection cable 7 m

060065



### LED pool lighting

- Magnetic wall mounting system
- Safe transfer of electricity (230 / 12 V) directly through your pool side wall (induction)
- Extra bright and long lasting lighting
- Quick and easy to install
- Bright colors: Green, light blue, dark blue and purple
- For pools up to Ø 732 cm (not suitable for steel wall pools)
- No batteries required

128698

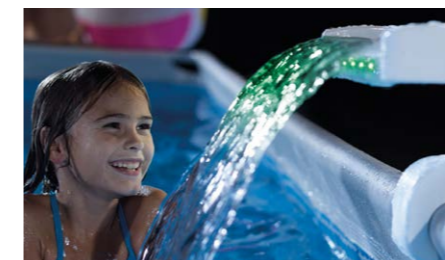


NEW

### Steinbach solar light with digital radio thermometer

- Solar-powered ball light with digital radio thermometer
- Colour change creates a pleasant atmosphere
- Built-in twilight sensor switches the ball light on and off automatically
- Can be used for ponds or swimming pools
- Display of indoor temperature and water temperature
- Temperature display in °C/°F
- Display of the max./min. values
- Scope of delivery without batteries (4 x AAA)

061340



### Multi Colored LED Waterfall Cascade

- For all round and rectangular INTEX Metal Frame, Prism Frame and Ultra Frame pools
- Shines in 3 bright colors: Red, Blue and Green
- Hydroelectric generator
- No batteries or electrical connection required
- Adjustable mounting bracket
- Pump flow rate: 4,542 - 12,113 l/h
- Bypass valve kit included

128090



### Multi-Colour LED Water Fountain

- For all round and square INTEX Frame Pool sets (except Easy Set Pools®, Oval Frame Pool, Frame Pool Set Wood, Frame Pool Set Graphite)
- Flashes at 10-second intervals in white, red, blue and green colours
- Built-in hydroelectric generator
- No batteries or electrical connections required
- Required filter pump output 3,785 - 11,355 l/h

128089



### Solar Powered LED Floating Light

- 2 lighting modes: static white light or smooth color change mode
- Auto on/off mode: Auto on at night / auto off at sunrise
- 2-hour auto shut-off (static mode)
- 5-hour auto shut-off (smooth color change mode)
- Gives your pool a magical mood in the evening

128695



# Whirlpools

# PureSpa™ Greywood Deluxe



The new generation of whirlpools from INTEX offers you a wellness experience of the highest level. The modern look convinces particularly with the dark grey wood look. The Ø 196 x 71 cm PureSpa™ has room for a maximum of 4 people. 140 jets, a powerful 2,200 W heater, a circulation pump with 1,741 l/h output and an integrated limescale protection system ensure maximum fun and minimum effort. Very rigid 3 way laminated vinyl together with the patented Fiber-Tech™-construction keep even extreme loads firmly in place. The removable control unit makes operation even more comfortable. A lockable insulating cover helps aid security and reduces heating costs to a minimum.

Whirlpools

## Technical specifications

Description	PureSpa™ Bubble Massage Greywood Deluxe Ø 196 x 71 cm	PureSpa™ Bubble Massage Greywood Deluxe Ø 216 x 71 cm
Pool shape	○ round	○ round
Seating	4	6
Capacity (approx.)	795 l	1,098 l
Net weight	47.4 kg	51.3 kg
Outer diameter	196 cm	216 cm
Inner diameter	145 cm	165 cm
Height	71 cm	71 cm
Control system	220-240 V / 50 Hz	220-240 V / 50 Hz
Heater	2,200 W	2,200 W
Heating time	1.5 - 2.5 °C/h	1 - 2 °C/h
Spring device	800 W	800 W
Air nozzles	140	170
Jets	-	-
Jetpump	-	-
Filter pump	1,741 l/h	1,741 l/h
Salt water system	-	-
Length of the power line	3 m	3 m
Top	Laminated Vinyl	Laminated Vinyl
Pool material	Laminated Vinyl	Laminated Vinyl
Anti-calcifier	10 W	10 W
Item No.	128440	128442

included



128505 | 2x



128503 | 1x



Removable control unit

Fiber-Tech™ construction

3-layer high-strength vinyl

Lockable cover

# PureSpa™ Combi



A touch of luxury, wellness and well-being in your garden. The new „All-in-one“ combi-models from INTEX offer you this possibility. Discover the ultimate wellness experience with just the touch of a finger. The innovative app control allows you to easily control your spa from wherever you are. Countless air jets care for your body, high-performance jet nozzles provide a targeted massage and the salt water system with integrated limescale protection system provides natural disinfection and crystal clear water. All this in combination with a powerful filter pump or a very well dimensioned heating system. The lockable insulating cover included in the scope of delivery serves for safety and reduces heating costs to a minimum.

Whirlpools

## Technical specifications

Description	PureSpa™ 79" Octagon Bubble, Jet & salt water system	PureSpa™ Octagon Bubble Jet with salt water system Ø218 x 71 cm
Pool shape	○ octagonal	○ octagonal
Seating	4	6
Capacity (approx.)	795 l	1,098 l
Net weight	70.4 kg	77 kg
Outer diameter	201 cm	218 cm
Inner diameter	150 cm	168 cm
Height	71 cm	71 cm
Control system	220-240 V / 50 Hz	220-240 V / 50 Hz
Heater	2200 W	2200 W
Heating time	1.5 - 2.5 °C/h	1 - 2 °C/h
Spring device	800 W	800 W
Air nozzles	120	140
Jets	4	6
Jetpump	1,000 W	1,000 W
Filter pump	1,741 l/h	1,741 l/h
Salt water system	20 W	20 W
Length of the power line	3 m	3 m
Top	Laminated Vinyl	Laminated Vinyl
Pool material	Laminated Vinyl	Laminated Vinyl
Anti-calcifier	10 W	10 W
Item No.	128458	128462

### Included



128501 | 2x



129001 | 2x



Removable control unit



Fiber-Tech™ construction



3-layer high-strength vinyl



Lockable cover

# PureSpa™ Bubble



The new PureSpa™ Whirlpools by INTEX are the perfect way to enjoy the ultimate in wellness. Countless air jets make for a wonderful spa experience. Discover the ultimate wellness experience with just the touch of a finger. The innovative app control allows you to easily control your spa from wherever you are. Very rigid 3 way laminated vinyl together with the patented Fiber-Tech™-construction keep even extreme loads firmly in place. Depending on the standard of equipment, the whirlpools have an integrated limescale protection system. A powerful filter pump or a very well-dimensioned heater ensure crystal-clear and warm water. A lockable insulating cover included in the delivery helps aids security and reduces heating costs to a minimum.

Whirlpools

## Technical specifications

Description	PureSpa™ - Bubble Massage Ø 196 x 71 cm	PureSpa™ - Bubble Massage Ø 216 x 71 cm
Pool shape	○ round	○ round
Seating	4	6
Capacity (approx.)	795 l	1,098 l
Net weight	37,96 kg	41,40 kg
Outer diameter	196 cm	216 cm
Inner diameter	145 cm	165 cm
Height	71 cm	71 cm
Control system	220-240 V / 50 Hz	220-240 V / 50 Hz
Heater	2200 W	2200 W
Heating time	1.5 - 2.5 °C/h	1 - 2 °C/h
Spring device	800 W	800 W
Air nozzles	120	140
Jets	-	-
Jetpump	-	-
Filter pump	1,741 l/h	1,741 l/h
Salt water system	-	-
Length of the power line	3 m	3 m
Top	Laminated Vinyl	Laminated Vinyl
Pool material	Laminated Vinyl	Laminated Vinyl
Anti-calcifier	10 W	10 W
Item No.	128426	128428



Control unit

Fiber-Tech™ construction



3-layer high-strength vinyl

Lockable cover

# Whirlpool Accessories



## Side tray with integrated drink holders

- 26 x 22 x 18 cm (L x W x H)
- Keep drinks and snacks nearby while you relax
- Quick and easy to attach and detach
- Suitable for all PureSpa™ whirlpools with wall thickness between 20 and 24 cm

128500



## Inflatable head rest for whirlpools

- 39 x 30 x 23 cm (L x W x H)
- Specially designed for all INTEX PureSpa™ Whirlpools
- Just sit back and relax completely

128501



## Height adjustable plastic seat for whirlpools

- 47 x 36 x 22 cm (L x W x H)
- Two different height options 7.50 cm or 15 cm
- Comfortable, non-slip seat with height-adjustable base

128502



## Headrest for whirlpools

- 28 x 23 x 17 cm (L x W x H)
- Ergonomically shaped spa head and neck support
- Durable, hygienic and easy to clean material
- Clip-on design for easy and quick installation
- Silicone pads on the bottom for a firm and stable hold
- Suitable for all INTEX PureSpa™ whirlpools up to 210 mm wall thickness

128505



## Energy efficient PureSpa™ cover

- Fits 4-person round Bubble Massage models
- Improves the energy efficiency up to 50%
- Reduces the energy costs
- Minimizes heat fluctuations
- Protects from punctures, scratches and weather damage
- Belt with lockable safety buckles included

128523

## Side tray with integrated drink holders

- 45 x 26 x 16 cm (L x W x H)
- White LED light strip provides ambient lighting while enjoying in the spa
- Keep drinks and snacks nearby while you relax
- Built-in tablet/mobile phone stand
- Quick and easy to attach and detach

128520



NEW

# Whirlpool Accessories



## Whirlpoolset All in One

- Basic package for the perfect water treatment of your whirlpool
- 0.50 kg pH + (plus) granules
- 0.75 kg pH - (minus) granules
- 0.50 l Hardness stabiliser liquid
- 0.50 kg FreshUp Sparkling Tabs 5 g
- 50 test strips

0759008TS

\* / \*\* GHS05/GHS07/GHS09  
 Danger, Attention, UN 3077  
 Hazard note: H302, H318, H319,  
 H335, H410, EUH031, EUH206



## INTEX Whirlpool filter cartridge type S1

- For all INTEX whirlpools in the Pure Spa range
- Inner Ø 3.40 cm, outer Ø 10.80 cm, height 7.50 cm
- Twin pack

129001



## LED light PureSpa Bubble

- Suitable for all Pure Spa Bubble variations
- Illuminates up to 5 different colors
- Two different lighting modes
- Mode 1: Color changing (green, teal, blue & purple)
- Mode 2: Single color (white, green, teal, blue, purple)
- 2-hour auto shut-off
- Requires 3 AAA batteries (not included in the delivery)
- Wattage: 1 W

128503



## LED light PureSpa Jet & Combi

- Suitable for all Pure Spa Jet and Combi Models
- Illuminates up to 5 different colors
- Two different lighting modes
- Mode 1: Color changing (green, teal, blue & purple)
- Mode 2: Single color (white, green, teal, blue, purple)
- Lights when water is flowing (no batteries necessary)
- Wattage: 0.6 W

128504



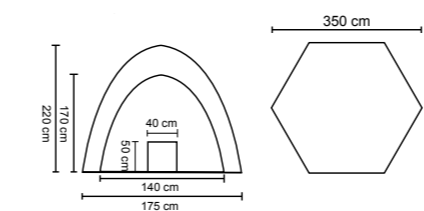
## Double step for whirlpools

- 69 x 63 x 34 cm (W x D x H)
- Anti-slip surface
- Suitable for round and square pools
- No tools needed for assembly
- Maximum load 150 kg

015050

## Whirlpool canopy

- For whirlpools up to approx. Ø 200 cm
- 2 doors and 4 side panels with mesh insert
- Retractable privacy screens with zip fastening
- 3 tent poles made of flexible fiberglass
- 4 access hatches for whirlpools with external technology, 40 x 50 cm (W x H)
- Includes protective floor covers, tent pegs, storm supports
- Including 6 pieces of sand-fillable weights (filled weight max. 20 kg/unit)



036430





# Pool technique



## Steinbach Filter unit Active Balls+

040386

**Clever combination: Steinbach Filter unit Active Balls+ incl. Filter Balls. The filter unit adapts to your needs, whether you prefer to clean with Filter Balls or sand.**

### Content:

#### Steinbach Filter unit Active Balls+

- With Filter Balls
- Pump is not self-priming
- Circulation power 3.80 m<sup>3</sup>/h, 230 V/200 W
- For pool sizes up to 19,000 l.

#### When using filter sand (optional):

- Requires approx. 10 kg of sand
- Recommended grain size for sand 0.70 - 1.20 mm

### Filter Balls

- Are lighter and more efficient than conventional filter media
- No more filter sand in the pool
- Filters residues of up to 1.50µm (sand approx. 40 µm)
- Have a high dirt absorbing capacity
- Have a long service life
- Help you to save energy



### Steinbach filter unit Active Balls 50

#### Technical data:

- Filter pump 040916
- Circulation power 5,500 l/h
- 230 V/450 W
- Integrated timer
- Tank Ø 415 mm
- Connector Ø 32/38 mm
- Self-priming pump with prefilter and manometer
- For pools up to 22,000 l capacity
- Maximum water temperature 35 °C

#### Usable filter media:

- Original Steinbach Filter Balls approx. 545 g (included in the delivery)

040220

### Steinbach filter unit Active Balls 75

#### Technical data:

- Filter pump 040917
- Circulation power 6,500 l/h
- 230 V/550 W
- Integrated timer
- Tank Ø 415 mm
- Connector Ø 32/38 mm
- Self-priming pump with prefilter and manometer
- For pools up to 26,000 l capacity
- Maximum water temperature 35 °C

#### Usable filter media:

- Original Steinbach Filter Balls approx. 1.150 g (included in the delivery)

040120

# Steinbach Filter Units



### Steinbach filter unit Comfort 50

- Filter pump: 040916
- Circulation power 6,600 l/h
- Self-priming pump with pre-filter
- Maximum water temperature 35 °C
- 230 V/450 W
- Integrated timer switch
- 7 way valve with pressure gauge
- Tank Ø 400 mm
- Connector Ø 32/38 mm
- Preparation for INTEX special adapter
- Ground plate
- For pools up to 33,000 l capacity
- In the filter cover integrated connection possibility for Steinbach UV-disinfection system

#### Usable filter media:

- Original Steinbach Filter Balls
- Requires approx. 15 kg sand Grain size 0.70-1.20 mm

040200



### Steinbach filter unit Comfort 75

- Filter pump: 040917
- Circulation power 8,000 l/h
- Self-priming pump with pre-filter
- Maximum water temperature 35 °C
- 230 V/550 W
- Integrated timer switch
- 7 way valve with pressure gauge
- Tank Ø 400 mm
- Connector Ø 32/38 mm
- Special adapter for INTEX pools
- Ground plate
- For pools up to 40,000 l capacity
- Socket for optional connection for Steinbach UV-disinfection system built into filter covering

#### Usable filter media:

- Original Steinbach Filter Balls
- Filter sand approx. 25 kg grain size 0.70-1.20 mm

040100



### Steinbach filter unit Classic 250N

- Filter pump 040955
- Circulation power 3,800 l/h
- Pump is not self-priming
- Maximum water temperature 35 °C
- 230 V/200 W
- 7 way valve with pressure gauge
- Tank Ø 250 mm
- Connector Ø 32/38 mm
- Ground plate
- For pools up to 19,000 l capacity
- Available separately: Steinbach container for Steinbach UV-disinfection system

#### Usable filter media:

- Original Steinbach Filter Balls
- Filter sand approx. 10 kg grain size 0.70-1.20 mm

040385



### Steinbach filter unit Classic 310

- Filter pump 040921
- Circulation power 4,500 l/h
- Self-priming pump with pre-filter
- Maximum water temperature 35 °C
- 230 V/250 W
- 7 way valve with pressure gauge
- Tank Ø 320 mm
- Connector Ø 32/38 mm
- Ground plate
- For pools up to 22,000 l capacity
- Available separately: Steinbach Container for Steinbach UV-disinfection system

#### Usable filter media:

- Original Steinbach Filter Balls
- Filter sand approx. 20 kg grain size 0.70-1.20 mm

040310



### Steinbach filter unit Classic 400

- Filter pump 040920
- Circulation power 6,600 l/h
- Self-priming pump with pre-filter
- Maximum water temperature 35 °C
- 230 V/450 W
- 7 way valve with pressure gauge
- Tank Ø 370 mm
- Connector Ø 32/38 mm
- Ground plate
- For pools up to 33,000 l capacity
- Available separately: Steinbach container for Steinbach UV System

#### Usable filter media:

- Original Steinbach Filter Balls
- Filter sand approx. 25 kg grain size 0.70-1.20 mm

040340

# Filter Unit



## Filteranlage Eco Top 10

- Umwälzleistung 14,000 l/h
- Selbstsaugende Pumpe mit Vorfilter
- 230 V/570 W
- 6-Wege-Ventil mit Manometer
- Kessel Ø 470 mm
- Anschluss Ø 38 mm
- Grundplatte
- Maximale Wassertemperatur 35 °C
- Für Pools bis 65,000 l Wasserinhalt

Verwendbare Filtermedien:  
Original Steinbach Filter Balls Sandmenge ca. 75 kg Korngröße 0.70-1.20 mm

041015



## Filteranlage Compact 8

- Umwälzleistung 9,000 l/h
- Selbstsaugende Pumpe mit Vorfilter
- Maximale Wassertemperatur 35 °C
- 230 V/450 W
- 6-Wege-Ventil mit Verstellhebel und Manometer
- Kessel Ø 470 mm
- Anschluss Ø 38 mm
- Grundplatte
- Für Pools bis 45,000 l Wasserinhalt

Verwendbare Filtermedien:  
■ Original Steinbach Filter Balls  
■ Sandmenge ca. 50 kg Korngröße 0.70-1.20 mm

041010



## Filteranlage SM 12

- Umwälzleistung ca. 12,000 l/h
- PP Kunststoffkessel Ø 396 mm
- Selbstsaugende Pumpe mit Vorfilter
- Maximale Wassertemperatur 35 °C
- 230 V/450 W
- 6-Wege-Ventil mit Verstellhebel und Manometer
- Anschluss Ø 38 mm
- Grundplatte
- Für Pools bis 55,000 l Wasserinhalt

Verwendbare Filtermedien:  
■ Original Steinbach Filter Balls  
■ Sandmenge ca. 45 kg Korngröße 0.70-1.20 mm

041020



## Filteranlage SM 14

- Umwälzleistung ca. 14,000 l/h
- PP Kunststoffkessel Ø 476 mm
- Selbstsaugende Pumpe mit Vorfilter
- Maximale Wassertemperatur 35 °C
- 230 V/570 W
- 6-Wege-Ventil mit Verstellhebel und Manometer
- Anschluss Ø 38 mm
- Grundplatte
- Für Pools bis 70,000 l Wasserinhalt

Verwendbare Filtermedien:  
■ Original Steinbach Filter Balls  
■ Sandmenge ca. 75 kg Korngröße 0.70-1.20 mm

041022



## Filteranlage SM 16

- Umwälzleistung ca. 16,000 l/h
- PP Kunststoffkessel Ø 646 mm
- Selbstsaugende Pumpe mit Vorfilter
- Maximale Wassertemperatur 35 °C
- 230 V/800 W
- 6-Wege-Ventil mit Verstellhebel und Manometer
- Anschluss Ø 38 mm
- Grundplatte
- Für Pools bis 80,000 l Wasserinhalt

Verwendbare Filtermedien:  
■ Original Steinbach Filter Balls  
■ Sandmenge ca. 150 kg Korngröße 0.70-1.20 mm

041024



## Pool drain pump

- Max. output 3,595 l/h
- Power 230 V/99 W
- Maximum operating water depth 122 cm
- Max. delivery height 132 cm
- Max. solid size 2 mm
- Suction up to 13 mm residual water level
- Power cord length 10 m
- Waterproof housing IPX8
- 5 m drain hose with Ø 32 mm included
- Suitable for salt water
- Adaptor for garden hose attachment

128606



## Steinbach filter pump CPS 40-2

- For filter unit Classic 300, Classic 250N, Active Balls\*
- 230 V/200 W
- Pump capacity 4,500 l/h
- Max. Pump height 6.50 m
- Not self-priming
- Connector Ø 32/38 mm
- Maximum water temperature 35 °C
- Maximum pool size 19,000 litres

040955



## Filter pump WP 16000

- For Filter unit SM 12
- 230 V/450 W
- 179 l/min
- Max. pump height 12 m
- Self-priming pump with pre-filter
- Connector Ø 38 mm
- Max. water temperature 35 °C

041065



## Steinbach Filter pump SPS 50-1

- For filter unit Classic 310
- 230 V/250 W
- Pump capacity 7,020 l/h
- Max. Pump height 7.50 m
- Self-priming pump with pre-filter
- Connector Ø 32/38 mm
- Maximum water temperature 35 °C
- Maximum pool size 22,000 litres

040921



## Filter pump SPS 175-1T

- For filter unit Premium 100 (Art.no. 040081 and 040085)
- 230 V/900 W
- 334 l/min
- Max. pump height 15 m
- Self-priming pump with pre-filter
- Connector D 50
- Maximum water temperature 35 °C
- Integrated timer

040090



## Filter pump WP 7000

- 230 V/400 W
- 160 l/min
- Max. Pump height 9 m
- Self-priming pump with pre-filter
- Connector 1 1/2" inner thread
- Maximum water temperature 35 °C

041063



## Filter pump WP 19000

- For filter unit SM 14, Eco Top 10
- 230 V/570 W
- 206 l/min
- Max. pump height 12.57 m
- Self-priming pump with pre-filter
- Connector Ø 38 mm
- Max. water temperature 35 °C

041067



## Filter pump SPS 75-1 (T)

- For filter unit Comfort 50 + Classic 400
- 230 V/450 W
- Pump capacity 8,520 l/h
- Max. Pump height 9 m
- Self-priming pump with pre-filter
- Connector Ø 32/38 mm
- Maximum water temperature 35 °C
- Maximum pool size 33,000 litres

040920

without Timer

SPS75-1

040916

with Timer

SPS75-1T



## Filter pump Sena

- For filter unit Corona Star, S 400
- 230 V/380 W
- 130 l/min
- Max. Pump height 12 m
- Self-priming pump with pre-filter
- Connector D 50
- Maximum water temperature 35 °C

041082



## Filter pump WP 8000

- For filter unit Compact 8
- 230 V/450 W
- 160 l/min
- Max. Pump height 9 m
- Self-priming pump with pre-filter
- Connection 1 1/2" IG
- Max. water temperature 35 °C

041066



## Filter pump WP 21000

- For Filter Unit SM 16
- 230 V/800 W
- 254 l/min
- Max. pump height 13.99 m
- Self-priming pump with pre-filter
- Connector Ø 38 mm
- Max. water temperature 35 °C

041069



## Steinbach Filter pump SPS 100-1 (T)

- For filter unit Comfort 75
- 230 V/550 W
- Pump capacity 9,480 l/h
- Max. Pump height 10 m
- Self-priming pump with pre-filter
- Connector Ø 32/38 mm
- Maximum water temperature 35 °C
- Maximum pool size 40,000 litres

040922

without Timer

SPS100-1

040917

with Timer

SPS100-1T



# Sand Filter Units

## Krystal Clear sand filter unit®

Sand filters have long been considered as one of the best ways to get clear, sparkling pool water by swimming pool owners. The completely natural, favorable sand makes excellent work when filtering dirt particles out of the water. Sand filter units are not only effective, but also save time and money because the sand only needs to be changed every three to five years. The sand filter unit can be used up to a maximum water temperature of 35 °C.



### Krystal Clear sand filter unit® SF90220-1

- 4,000 l/h circulation power
- 4,500 l/h pump output
- 230 V/190 W
- For pools up to 29,100 l capacity
- 6 way valve with pressure gauge
- Timer switch
- Ground plate
- Filter pump with pre-filter
- Acrylic tank Ø 254 mm
- Requires approx. 12 kg sand
- Recommended grain size 0.70-1.20 mm
- INTEX Hydro Aeration Technology™
- Maximum water temperature 35 °C
- Standard connection for all INTEX pools
- Connection fittings and cut-off valve not included
- Optional connector Ø 32/38 mm with special adapter (item no. 110849)

126644

### Krystal Clear sand filter unit® SF80220-2

- 6,000 l/h circulation power
- 7,900 l/h pump output
- 230 V/250 W
- For pools up to 36,000 l capacity
- 6 way valve with pressure gauge
- Timer switch
- Ground plate
- Filter pump with pre-filter
- Acrylic tank Ø 305 mm
- Requires approx. 23 kg sand
- Recommended grain size 0.70-1.20 mm
- INTEX Hydro Aeration Technology™
- Maximum water temperature 35 °C
- Standard connection for all INTEX pools
- Connection fittings and cut-off valve not included
- Optional connector Ø 32/38 mm with special adapter (item no. 110849)

126646



### Krystal Clear sand filter unit® SF70220-2

- 8,000 l/h circulation power
- 10,500 l/h pump output
- 230 V/450 W
- For pools up to 36,000 l capacity
- 6 way valve with pressure gauge
- Timer switch
- Ground plate
- Filter pump with pre-filter
- Acrylic tank Ø 360 mm
- Requires approx. 35 kg sand
- Recommended grain size 0.70-1.20 mm
- INTEX Hydro Aeration Technology™
- Maximum water temperature 35 °C
- Standard connection for all INTEX pools
- Connection fittings and cut-off valve not included
- Optional connector Ø 32/38 mm with special adapter (item no. 110849)

126648

### Krystal Clear sand filter unit® SF60220-2

- 9,200 l/h circulation power
- 12,000 l/h pump output
- 230 V/550 W
- For pools up to 42,000 l capacity
- 6 way valve with pressure gauge
- Timer switch
- Ground plate
- Filter pump with pre-filter
- Acrylic tank Ø 410 mm
- Requires approx. 55 kg sand
- Recommended grain size 0.70-1.20 mm
- INTEX Hydro Aeration Technology™
- Maximum water temperature 35 °C
- Standard connection for all INTEX pools
- Connection fittings and cut-off valve not included
- Optional connector Ø 32/38 mm with special adapter (item no. 110849)

126652

# Sand-/Salt-Systems

## Krystal Clear SandFilter unit® & Salt-Systems

The completely natural, low-priced sand does excellent work when filtering dirt particles out of the water. Because of the forward-looking use of electro-catalytic oxidation bacteria and algae are destroyed. INTEX has now combined these two excellent systems into one product, giving you clear, sparkling swimming pool water.

In the course of daily filtration, the water is pumped through the electrolytic cells to produce pure, odorless and natural chlorine (electrolysis). The natural chlorine destroys bacteria, viruses, algae and other organic materials. Through this natural solution of chlorine production, you can effortlessly achieve crystal clear, clean and soft swimming pool water.

Saltsystems are not suitable for steel wall pools, stainless steel pools, bronze and stainless steel built-in parts. Stainless steel ladders require a zinc plate.



### Krystal Clear sand filter unit® & salt water system ECO15220-2

- ECO15220-2/CG-26675
- 7,900 l/h pump output
- 6,000 l/h circulation power
- Integrated salt water - electrolysis system
- E.C.O. electro-catalytic oxidation\*
- INTEX Hydro Aeration Technology™
- 6 way valve with pressure gauge
- Filter pump with pre-filter
- Chlorine production 7 g/h
- 230 V/250 W
- Two separate timers: For filter unit and salt water system
- Digital control panel
- Self-cleaning function extends the service life of the electrolysis cell
- Acrylic tank Ø 360 mm
- Ground plate
- For pools up to 32,200 l capacity
- Maximum water temperature 35 °C
- Connection fittings and cut-off valve not included
- Optional connector Ø 32/38 mm with special adapter (item no. 110849)

- Usable filter media:
- Requires approx. 35 kg sand Grain size 0,70-1,20 mm

126676

### Krystal Clear sand filter unit® & salt water system ECO20220-2

- ECO-20220-2/CG-26680
- 10,000 l/h pump output
- 8,000 l/h circulation power
- Integrated salt water - electrolysis system
- E.C.O. electro-catalytic oxidation\*
- INTEX Hydro Aeration Technology™
- 6 way valve with pressure gauge
- Filter pump with pre-filter
- Chlorine production 7 g/h
- 230 V/430 W
- Two separate timers: For filter unit and salt water system
- Digital control panel
- Self-cleaning function extends the service life of the electrolysis cell
- Acrylic tank Ø 410 mm
- Ground plate
- For pools up to 56,800 l capacity
- Maximum water temperature 35 °C
- Connection fittings and cut-off valve not included
- Optional connector Ø 32/38 mm with special adapter (item no. 110849)

- Usable filter media:
- Requires approx. ca. 55 kg sand Grain size 0,70-1,20 mm

126680



### Krystal Clear Salzwassersystem® CG-26664

- Model CG-26664
- Compact and slim design
- 230 V/35 W
- Filter pump power required 1,136-3,785 l/h
- Amount of salt required 2.50-3.50 g/l (ideal 3 g)
- Chlorine production 4 g/h
- Redesigned control panel with display
- 24 hour timer switch
- 3 self-clean modes available, 6/10/14-hr cycles
- For pools up to approx. 17,400 l
- Perfectly suited for smaller pools

126664



### Krystal Clear salt water system® ECO 5220 / CG-26668

- Model ECO 5220/CG-26668
- Connection 220-230 V
- Filter pump power required 2,650-12,112 l/h
- Amount of salt required 2.50-3.50 g/l (ideally 3 g)
- Chlorine production 5 g/h
- Redesigned control panel with display
- 24 hour timer switch
- 3 self-clean modes available, 6/10/14-hr cycles
- For pools up to approx. 26,500 l

126668



### Krystal Clear salt water system® ECO 6220 / CG-26670

- Model ECO 6220/CG-26670
- Connection 220-230 V
- Filter pump power required 2,650-12,112 l/h
- Amount of salt required 2.50-3.50 g/l (ideally 3 g)
- Chlorine production 12 g/h
- Redesigned control panel with display
- 24 hour timer switch
- 3 self-clean modes available, 6/10/14-hr cycles
- For pools up to approx. 56,800 l

126670

\* Electro-catalytic oxidation is an advanced oxidation process (AOPs). When direct current is applied to the electrolysis oxidation electrodes, hydroxyl radicals are produced. The hydroxyl radical is a strong oxidising agent, which oxidises organic contaminants and also destroys bacteria and algae. Hydroxyl radicals combined with free chlorine provide the strongest, safest water preparation.

# Cartridge filters

## Cartridge filter type ECO

Item No.	Type	Pump capacity	Circulation power	Power in Watt	Ampere Motor	Supply V	Hose fitting	Filter type
128602GS	Cartridge filter ECO 602G	1.250 l/h	1,136 l/h	30		230/12	Ø 32 mm	
128604GS	Cartridge filter ECO 604G	2.271 l/h	1,893 l/h	55		230/12	Ø 32 mm	
128638GS	Cartridge filter ECO 638G	3.407 l/h	2,650 l/h	90		230/12	Ø 32 mm	



## Cartridge filter Typ OPTIMO

Item No.	Type	Pump capacity	Circulation power	Power in Watt	Ampere Motor	Supply V	Hose fitting	Filter type
128636	Cartridge filter unit OPTIMO 636T	5.678 l/h	4,353 l/h	165		230	Ø 38 mm / 2" AG	
128636GS	Cartridge filter unit OPTIMO 636G	5.678 l/h	4,164 l/h	180		230/12	Ø 38 mm / 2" AG	



## Hanging cartridge filter units for above ground pools

- Integrated surface vacuum cleaner and inlet nozzle
- Flow capacity max. 1,700 l/h
- Connection 230 V/12 V
- Power 20 Watt
- Waterproof housing IPX8
- Cable length approx. 480 cm
- Replacement filter cartridge (Item no. 060225)
- Max. water temperature 35 ° C



040590

## Filter cartridge cleaner

- Simple use
- Fast, thorough cleaning
- Suitable for all cartridges
- Prolongs the life of your filter cartridges
- Simply connect to the garden hose



129082



## INTEX filter cartridge type A

- For INTEX cartridge filter units type A (ECO 604/G, ECO 638R/G, OPTIMO 636T/G)
- Height 20 cm
- Outer Ø 10.70 cm
- Inner Ø 4.70 cm

129000



## INTEX filter cartridge type B

- For INTEX filter units with cartridges type B (OPTIMO 634RC)
- Height 25.4 cm
- Outer Ø 14.7 cm
- Inner Ø 4.7 cm

129005



## INTEX filter cartridge type H

- Height 10 cm
- Outer Ø 9 cm
- Inner Ø 3.30 cm

129007



## Filter cartridge for New Splasher pool

- Hanging cartridge filter unit (Item no.: 040590)
- Outside Ø 11.20 cm
- Height 19.40 cm
- Inner thread
- Upper side closed

060225



## Single cartridge PC7TC

- Ø 4.70/11.40 cm
- Height 20.50 cm
- 1 side closed

060210



## INTEX Whirlpool filter cartridge type S1

- For all INTEX whirlpools in the Pure Spa range
- Inner Ø 3.40 cm, outer Ø 10.80 cm, height 7.50 cm
- Twin pack

129001

# Filter System Accessories



## Steinbach UV-disinfection system

- UV system 18 W/230 V
- Environmentally conscious reduction of algae and bacteria in pools and ponds through ultraviolet light
- Reduces your chemical consumption
- For direct installation in every Steinbach Comfort filter system
- Steinbach container for external installation optionally available

040511



## Steinbach Container

- Special Steinbach container for retrofitting a Steinbach UV-disinfection system
- Assembly takes place between filter pump and basin inlet nozzle
- Incl. fastening ring
- Connection Ø 32/38 mm

040530



## 18 Watt UV-replacement lamp for Steinbach UV System

- Plug-in socket
- Connection with 2 PIN

040515



## Steinbach Filter Balls

- ...for all standard sand filter systems!
- 700 g Filter Balls corresponds to 25 kg filter sand
- Are lighter and more efficient than conventional filter media
- Are easy to use, and you no longer have sand in the pool
- Filter residues up to a size of 1.5 µm (sand approx. 40 µm)
- Deliver superb filtering results
- Have a high dirt absorbing capacity
- Have a long service life
- Help you to save energy
- Are non-toxic and easy to dispose of
- Are supplied in the form of small balls.
- Are produced from 100 % polyethylene

040050



## Quartz filter sand grain size 0.7 - 1.2 mm, 25kg

- For crystal clear water in conjunction with sand filter units
- Quartz sand in accordance with DIN 12904
- Kiln dried, washed

040025 Quartz filter sand grain size 0.7 - 1.2 mm, 25kg

040020 Quartz filter sand grain size 0.4 - 0.8 mm, 25kg

# Solar showers

# Solar Showers



## Steinbach solar shower Slim Line Duo

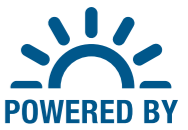
- Aluminium tank 40 l capacity
- Elegant „Duo-Design“
- Self de-scaling shower head
- Single lever mixer tap
- Additional removal tap for cold water
- Drainage screw for during the winter season
- Height 220 cm
- Max. operating pressure 3 bar
- Connector for garden hose

049048 - black

049049 - silver



# Solar Showers



## Steinbach solar shower Top Line

- PVC tank 40 l capacity
- Self de-scaling shower head
- Single-lever mixer tap
- Additional extraction tap for cold water
- Drainage screw for emptying during the winter season
- Max. operating pressure 3 bar
- Connection mechanism for garden hose

049036

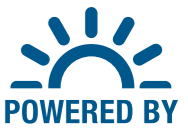


Solar showers

# Solar Showers



# Solar Showers

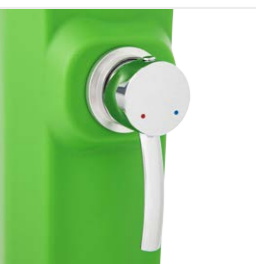


## Steinbach solar shower Leaf

- Plastic tank 23 l capacity
- Unique leaf design
- Large self de-scaling shower head
- Single lever mixer tap
- Additional removal tap for cold water
- Drainage screw for emptying during the winter season
- Height 220 cm
- Max. operating pressure 3 bar
- Connector for garden hose
- Stable stand foot 340 x 300 mm

049055 - green

049056 - grey



## Steinbach solar shower Slim Line Deluxe

- Aluminium tank 24 l capacity
- Self de-scaling shower head
- Single lever mixer tap
- Additional removal tap for cold water
- Drainage screw for emptying during the winter season
- Height 225 cm
- Max. operating pressure 3 bar
- Connector for garden hose
- Stand base 250 x 135 mm

049045 - black

049046 - silver

049047 - blue silver



## Steinbach solar shower Deluxe

- Aluminum tank 40 l capacity
- Single-lever mixer tap
- Additional extraction tap for cold water
- Drainage screw for emptying during the winter season
- Height: 210 cm
- Max. operating pressure 3 bar
- Connection mechanism for garden hose
- Stable stand foot 250 x 250 mm

049020



Solar showers

# Solar Showers



## Steinbach solar shower Deluxe Supreme

- Aluminum tank 26 l capacity
- Self de-scaling mega shower head 20 x 20 cm
- Single-lever mixer tap
- Additional extraction tap for cold water
- Drainage screw for emptying during the winter season
- Height: 223 cm
- Max. operating pressure 3 bar
- Connection mechanism for garden hose
- Stable foot 250 x 250 mm

049015



## Steinbach solar shower Magic

- PVC tank with 18 l capacity
- Hot/cold rotary valve
- Adjustable shower head
- Stable foot with mounting option
- Divisible for space-saving storage
- Height: 215 cm
- Max. operating pressure 3 bar
- Connection for garden hose
- Stable stand foot 160 x 160 mm

049000



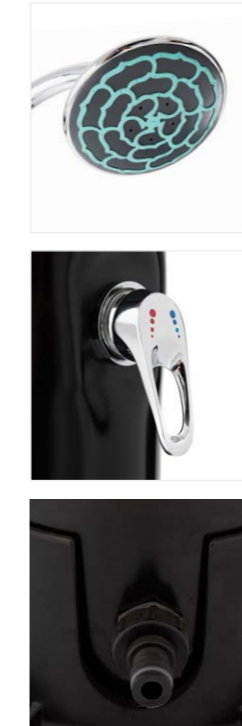
# Solar Showers



## Steinbach solar shower Flexible

- PVC tank with 20 l capacity
- Single-lever mixer tap
- Divisible for space-saving storage
- Large, self de-scaling monsoon head
- Storage surface for bathroom accessories
- Integrated towel holder
- Height: 217 cm
- Max. operating pressure 3 bar
- Water connection for a garden hose
- Stable stand foot 125 x 125 mm

049010



## Outdoor base element for ladder & solar showers

- A solid base element and fixing option for your solar shower
- Dimension: 101 x 61 x 4.50 cm (L x W x H)
- Increase the stability of your entry ladder
- Reduce the amount of dirt that gets into your pool
- Attach your solar shower directly to the base element (fixing kit included)
- You do not have to drill any holes for fixings in your patio tiles.
- Made of high-quality, durable plastic material
- Comes pre-assembled in a solid, heavy design
- Anti-slip surface in an anthracite look

049028



A high-angle, top-down photograph of a woman swimming in a pool. She is positioned on the left side of the frame, moving towards the right. Her arms are extended forward, and her head is above water. The water is a vibrant blue with many ripples and reflections of light. On the right side of the image, there is a vertical semi-transparent blue bar. Overlaid on this bar is the text 'Pool cleaners' in a large, white, sans-serif font.

# Pool cleaners



# Pool cleaner



## Steinbach swimming pool cleaner APPcontrol

- Swimming pool cleaner for optimal floor and wall cleaning
- Fully automated floor cleaner suitable for cleaning wall and floor
- Special wall, floor, and combi cleaning mode
- Remote control via app available (Android + IOS)
- „Weekly Timer“ for individually settable cleaning period
- Integrated filter system, performance approx. 20 m<sup>3</sup>/h
- Connection 230 V, filter pump 24 V, 200 W
- Cable length 18 m
- For pools with a surface area of up to 6 x 12 m

ATTENTION! No suitability for overflow-, stainless steel-, tile pools, as well as pools with an air ring.

061023



## Steinbach swimming pool cleaner Twin

- Swimming pool cleaner for optimal floor and wall cleaning
- Fully automatic cleaning mode
- „Weekly Timer“ for individually settable cleaning period
- Integrated filter system, Filter power approx. 18 m<sup>3</sup>/h
- Connection 230 V, filter pump 20 V, 200 W
- Cable length 18 m
- For pools up to 6 x 12 m

ATTENTION! No suitability for overflow-, stainless steel-, tile pools, as well as pools with an air ring.

061025



## Steinbach Poolrunner S63

- Fully automatic vacuum cleaner for pool optimum floor cleaning
- Control via water jet nozzles on front and back
- Integrated filter system, capacity approx. 12 m<sup>3</sup>/h
- Connection 230 V, filter pump 24 V, 150 W
- Cable length 9 m
- For pools up to 6 x 3 m

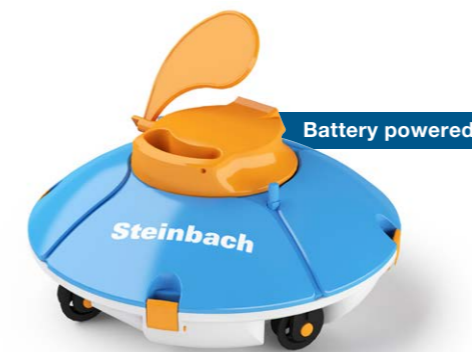
061007



## Steinbach Poolrunner

- Fully automatic floor vacuum cleaner for optimum floor and wall cleaning
- Control via water jet nozzles on front and back
- Integrated filter system, capacity approx. 15 m<sup>3</sup>/h
- Connection 230 V, filter pump 24 V, 150 W
- Cable length 12 m
- For pools up to 8 x 4 m surface area

061014



Battery powered

## Steinbach Poolrunner Battery Basic

- Battery-powered swimming pool cleaner for optimum floor cleaning
- Built-in „Touch & Reverse“ technology
- Rounded edges for higher protection of the pool foil
- Filter pump 12,6 V, 30 W
- Lithium ion battery 2,600 mAh
- Battery life up to 60 min
- Charging time 3-4 hours
- Extra light for easy handling
- Max. working depth: 2 m
- For pools up to 25 m<sup>2</sup> floor space

061205



Battery powered

## Steinbach Poolrunner Battery+

- Battery-powered swimming pool cleaner for optimum floor cleaning
- Control via water jet nozzles on front and back
- Water sensor for automatic switching on and off
- Integrated filter system, capacity approx. 10 m<sup>3</sup>/h
- Filter pump 12,6 V, 50 W
- Battery life up to 120 min
- Charging time 5-6 hours
- Lithium ion battery 6,600 mAh
- Multi-color LED display
- Extra light for easy handling
- For pools up to 80 m<sup>2</sup> floor space

061013



## Auto Pool Cleaner - Floor cleaner only for INTEX Pools

- Powerful wall and floor vacuum cleaner
- Works with the Venturi principle
- Rotating double dirt brush removes fine and hard dirt
- Filter net: 0.15 mm
- Dirt container capacity: 1.80 l
- Suitable for salt water
- For optimum cleaning, a filter capacity of at least 6,056-13,248 l/h is required
- For all INTEX set-up pools with Ø 38 mm hose connection and gate valve
- Very effective and easy to use

128005



## Auto Pool Cleaner - Floor cleaner only for INTEX Pools

- Powerful Venturi principle cleaner only for INTEX pools
- Requires a filter pump with a flow rate between 5.678-3.248 l/h
- Pool hose Ø 38 mm, length 750 cm, is connected to the inlet nozzle (on the pressure side)
- Suitable for salt water
- For all INTEX set-up pools with Ø 38 mm hose connection and gate valve
- Effective and hassle-free

128001



## Rechargeable Handheld Vacuum

Battery-powered pool vacuum cleaner for whirlpools, small pools and paddling pools. Keeps your swimming pool clean and tidy.

Key data:

- Independent cleaning system
- High-performance filter pump
- 239 cm aluminium telescopic rod
- USB charging cable, charging time of 8-10 hours
- 3.6 V Ni-MH battery, IPX8 watertight
- Various cleaning brushes
- Two filter bags
- Auto power-off
- Maximum water temperature 35 °C
- The pool cleaner is also suitable for salt water

128620NP



# Pool heating

# Heat Pumps



**NEW**



Recommended pool capacity	0-20 m <sup>3</sup>
Heating power A26/W26	3,900 W
Input power heating	650 W
COP (Rating heating capacity) A26/W26	6.1
Heating power A15/W26	2,800 W
Input power heating	600 W
Supply voltage	220 V
Input current heating	3.4 A
Max. pool capacity per unit	20,000 l
Minimum water flow rate	1,200 l
Compressor type	rotating
Heat exchanger	Titanium in PVC
Water supply	Ø 32/38 mm
Sound power (10 m)	37 dB(A)
Sound power (1 m)	47 dB(A)
Refrigerant	280 g
Tons of CO <sub>2</sub> -equivalent	0.21 T
Product dimensions (L x W x H)	36.5 x 32 x 37 cm
Carton dimensions (L x W x H)	41 x 40 x 42 cm
Net Weight / Gross Weight	18 / 20 kg
Item no.	049275

## Steinbach heat pump Mini

Swimming pleasure in perfectly tempered swimming pool water - this is no problem with the automatic Steinbach heat pump Mini with integrated flow sensor! Due to the simple installation, which can be carried out at any time, with only minimal maintenance, nothing stands in the way of an unforgettable summer. The digital control with LED display makes the Steinbach heat pump Mini very user-friendly. We also recommend the purchase of a bypass system. (Item no.: 060045). With the help of the Steinbach Bypass Set, the water flow and the water circuit can be regulated individually. \*Our Steinbach heat pump Mini is also suitable for saltwater pools due to the titanium heat exchanger installed. The salt concentration must not exceed 0.5% (corresponds to 5 g/l or 5,000 ppm).

**Attention!**  
Heat pumps must only be mounted outdoors!

# Heat Pumps



Pool heating

## Steinbach Heat Pumps Series Waterpower

- Heat your pool all year, regardless of the sun and outside temperature
- Incl. titanium heat exchanger - suitable for saltwater pools
- Installation possible at any time (bypass required)
- Integrated control with LCD display
- Cooling function at no extra charge
- Suitable for salt water pools
- Minimal maintenance

For even more efficient use of Steinbach heat pumps, we also recommend our Steinbach Bypass Set (Item. no. 060045). With the help of the Steinbach Bypass Set, the water flow and the water circuit can be regulated individually.

	Steinbach heat pump Waterpower 5000	Steinbach heat pump Waterpower 8500
Heating power	5,100 W	8,500 W
Cooling power	3,400 W	6,000 W
Power consumption	840 W	1,450 W
Max. pool capacity per unit	30,000 l	55,000 l
Minimum water flow rate	3,000 l	3,000 l
Power supply	230 V	230 V
Heat exchanger	Titanium in PVC	Titanium in PVC
Water supply	50 mm	50 mm
Size	700 x 265 x 515 mm	845 x 285 x 540 mm
Sound power db(A)	48	50
COP (Rating heating capacity) A26/W26	6.1	6.0
<b>Temperature rise per hour*</b>		
<b>Water capacity</b>		
10 m <sup>3</sup>	+ 0.4°C / h	+ 0.7°C / h
20 m <sup>3</sup>	+ 0.3°C / h	+ 0.4°C / h
30 m <sup>3</sup>	+ 0.1°C / h	+ 0.2°C / h
40 m <sup>3</sup>		+ 0.2°C / h
50 m <sup>3</sup>		+ 0.2°C / h
Item no.	049202	049207

**Attention!**  
Heat pumps must only be mounted outdoors!

\*Heat loss was not taken into account (e.g.: with our without cover, insulation, ...)

# Heaters



## Steinbach solar collector Exclusive

- 110 x 69 x 14 cm (L x W x H)
- Collector material HDPE, polycarbonate cover
- Water capacity collector 12 l
- Connector Ø 38 mm
- The solar collector is suitable for salt water
- Comes with 1 x Ø 38 mm connector hose and 2 x hose clips
- Bypass set is recommended (Item no. 060045)

For increased heating performance, several elements can be connected.

049106

### Higher heating capacity because of several connected elements

Pool capacity	Time in days to increase water temperature by approx. 3 °C*			
	1 x	2 x	3 x	4 x
4,000 l	1.00	0.49	0.36	0.25
14,000 l	3.50	1.75	1.30	0.85
19,000 l	4.75	2.40	1.85	1.20
22,000 l	5.50	2.70	2.05	1.40

\* Results are based on 10 hours of direct sunlight per day and may vary due to weather changes. The pool was covered with a solar cover. Outside temperature 20 °C



## INTEX Solar mat

- 120 x 120 cm (L x W)
- Capacity max. 7,570 l/h
- Connector Ø 32 mm
- Only for floor fitting
- Can be used together with filter pumps with a maximum filter pump power of 250 Watts
- Integrated bypass set for optimal control of heating power

128685

\* Solar collectors - must not be mounted above the water level.



## Steinbach solar collector Loop

- 58 x 58 x 33 cm (L x W x H)
- Connection Ø 32/38 mm
- Flow rate max. 7,5 m<sup>3</sup>/h
- Water content collector 5 l
- Collector hose 24 x 38 mm
- Preparation for INTEX special adapter
- The solar collector is suitable for salt water
- \* Supplied without connecting hoses or mounting material
- Bypass set is recommended (optional 060045)

049106

### Higher heating capacity because of several connected elements

Pool capacity	Time in days to increase water temperature by approx. 3 °C*			
	1 x	2 x	3 x	4 x
4,000 l	1.7	0.8	0.6	0.4
9,000 l	3.9	1.9	1.4	1.0
14,000 l	6.2	3.1	2.1	1.6
19,000 l	8.4	4.2	2.8	2.1
22,000 l	9.8	4.9	3.3	2.5

\* Results are based on 10 hours of direct sunlight per day and may vary due to weather changes. The pool was covered with a solar cover. Outside temperature 20 °C



## Pool Heater, 230 V/3000 Watt

- Electric pool heating
- For above ground pools up to 15,000 l water content
- 230 V/max. 3,000 W
- Connector Ø 32 mm
- Incl. pool thermometer

128684

**Attention!**  
Heat pumps must only be mounted outdoors!

# Heaters



## Steinbach solar collector Compact

049120

- 300 x 70 cm (L x W)
- High quality LDPE plastic
- Hose connection Ø 32/38 mm
- For pools up to 12,000 liters of water
- Water content collector 4 l
- The solar collector is suitable for salt water
- Finished collector for easy installation

049123

- 600 x 70 cm (L x W)
- High quality LDPE plastic
- Hose connection Ø 32/38 mm
- For pools up to 20,000 liters of water
- The solar collector is suitable for salt water
- Water content collector 8 l
- Finished collector for easy installation

Steinbach solar collector Compact 3,0 x 0,7 m, for pleasantly warm water. Finished solar collector for easy installation. Delivery without connecting hoses or mounting material. Depending on the desired temperature, one or more elements can be connected. The connection is made between the filter pump and the basin inlet nozzle. For optimum regulation of the water temperature we recommend our bypass set.

### Higher heating capacity because of several connected elements

Pool capacity	Time in days to increase water temperature by approx. 3 °C*			
	1 x	2 x	3 x	4 x
4,000 l	1.30	0.65	0.43	0.33
9,000 l	2.98	1.49	0.99	0.75
14,000 l	4.74	2.37	1.58	1.19
19,000 l	6.43	3.21	2.14	1.61
22,000 l	7.50	3.75	2.50	1.87

Pool capacity	Time in days to increase water temperature by approx. 3 °C*			
	1 x	2 x	3 x	4 x
4,000 l	1.14	0.57	0.38	0.28
9,000 l	2.61	1.31	0.87	0.65
14,000 l	4.15	2.08	1.38	1.04
19,000 l	5.63	2.81	1.88	1.41
22,000 l	6.57	3.28	2.19	1.64

\* Results are based on 10 hours of direct sunlight per day and may vary due to weather changes. The pool was covered with a solar cover. Outside temperature 20 °C

## Bypass set

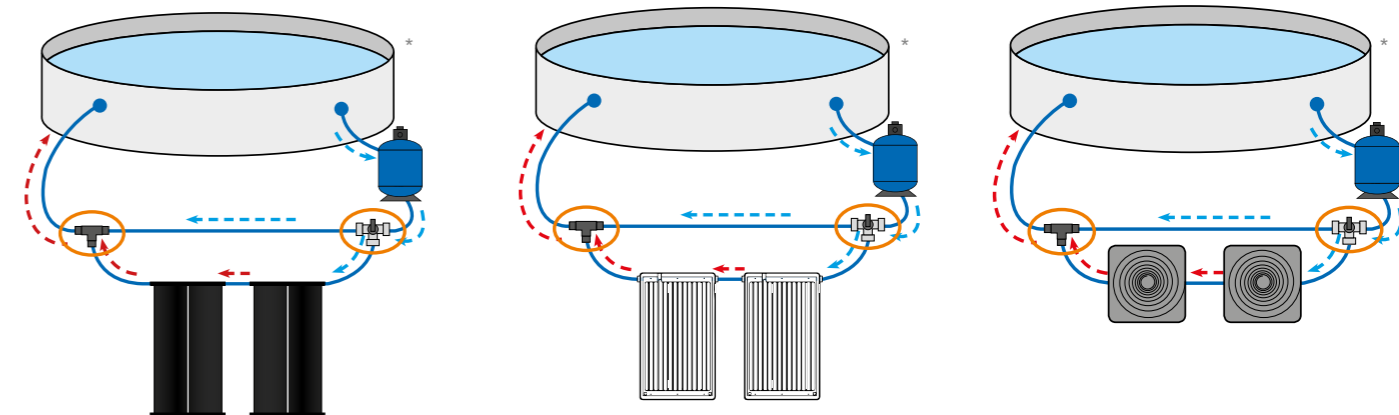
- For targeted control of the water flow
- Specially made for solar units, heat pumps
- Suitable for hose connection Ø 32/38 mm
- Supplied with 3-way valve, T-piece, hose nozzles, hose clamps and teflon tape

060045



## Connection of solar heaters

Steinbach solar collectors and solar mats must be connected after the filter system. For a higher heating capacity several elements can be connected. For an optimal connection we recommend to use our bypass set.



\* Solar collectors - must not be mounted above the water level.



# Pool accessories

# Pool Cleaning



## Basic cleaning set

- Set consists of:
- Bottom vacuum Duo (Venturi principle)
  - 4 part aluminium telescopic pole (max. 220 cm)
  - Thermometer
  - Pool cleaning brush (width 25 cm)
  - Twin pack of hand scrubbers
  - ECO Leaf net

061175



## Cleaning set with net, floor vacuum cleaner "Venturi"

- Set consists of:
- Floor vacuum cleaner (Venturi principle)
  - Aluminium telescopic pole (Length 239 cm)
  - Leaf/floor net

128002



## Cleaning set de luxe

- Complete cleaning set for INTEX pools with a filter pump power of at least 3,785 l/h.
- Set consists of:
- Floor vacuum with integrated filter
  - Aluminium telescopic pole (length 279 cm)
  - Suction hose (length 750 cm, Ø 32 mm)
  - Leaf/floor net
  - Pool brush

128003

# Pool Cleaning



## Floor vacuum cleaner basic

- Mounting devices for telescopic pole
- Hose connection Ø 32/38 mm

061140



## Floor vacuum cleaner De Luxe

- Mounting device for telescopic pole
- Hose connection Ø 32/38 mm
- Extra heavy design for optimal handling
- Side brushes for optimal cleaning

061150



## Leaf net with aluminium pole 1.50 m

- Leaf net with aluminum pole 1.50 m
- Aluminium pole can be taken apart for space-saving storage

061108



## Leaf net with reinforced plastic frame

- Mounting device for telescopic rod
- Leaf net with reinforced plastic frame
- Robust and massive design

061105



## Floor net with reinforced plastic frame

- Mounting device for telescopic rod
- Floor net with reinforced plastic frame

061115



## Pool brush short

- Mounting device for telescopic pole
- Robust and flexible design (width 25 cm)

061119



## Pool brush long

- Mounting device for telescopic rod
- Robust and extra wide design (width 45 cm)

061120



## Corner and edge brush

- Mounting device for telescopic rod
- Hose connection Ø 38 mm
- Special design optimal for cleaning the corners

061125



## Leaf net Eco

- Mounting device for telescopic rod
- Robust design

061100



## Floor net Eco

- Mounting device for telescopic rod
- Robust, plastic design

061110



## Floor vacuum Duo with 1.5 m aluminium pole

- Bottom vacuum (Venturi principle)
- Aluminum telescopic pole (length 150 cm)
- Connection for standard telescopic poles
- Simply connect garden hose

061170



## Hand scrubber de luxe with handle

- Easy cleaning of pool surfaces
- Massive handle for relaxed work

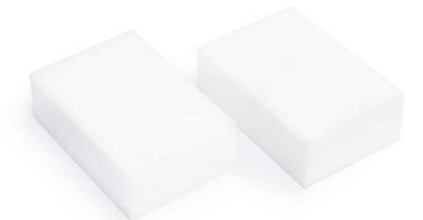
061130



## Hand scrubber twin pack

- Two different surfaces
- For targeted cleaning of dirt

061135

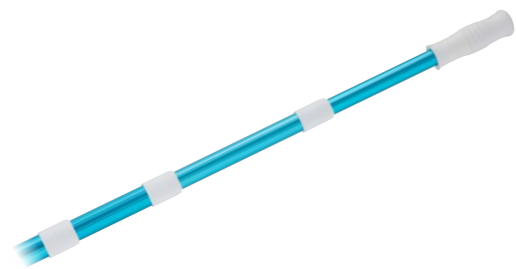


## Nano cleaning sponge twin pack

- Removes dirt from plastic parts and foils
- Suitable for all swimming pool liners
- Works without any additional cleaners
- Fragrance free, colourless, free from poisons or irritants

061136

# Pool Cleaning



## Aluminum telescopic pole 3-piece

061190 3 parts, 1.20 - 3.60 m

061191 2 parts, 1.80 - 3.60 m

061192 2 parts, 2.40 - 4.80 m



## Replacement handle for vacuum cleaner

- Suitable for all common floor vacuum cleaners
- Incl. fixing pin

061159



## INTEX Pool surface skimmer de luxe

- Suitable for all INTEX pools
- Easily mounts to Easy Set and Metal Frame Pools
- Requires a minimum flow rate of 3,028 l/h
- Hose connector Ø 40 mm

128000



## Skimmer net

- Hygienic disposable pre filter
- For all types of skimmer baskets up to Ø 155 mm
- Reduces the cleaning of the filter unit
- Serves to protect your filter pump (content 12 nets)

060919



## Ice pressure pad

- 49.00 x 5.00 x 23.50 cm (L x W x H)
- Arrangement of small pools: 2 x diagonal
- Arrangement of large pools: parallel to a longitudinal and a broadside

060048



## INTEX foot bath

- Reduces amount of debris & dirt entering your pool
- Easily connects to ladders to rinse off feet before entering pool
- Anti-slip bottom designed for safety
- Perfectly fits all Intex ladders
- Size: 56 x 46 x 9 cm
- Water Capacity 11.50 l

129080

# Thermometer



## Standard floating thermometer

- Display in °C / °F

061300



## Round thermometer with flotation ring

- Ø 18 cm
- Large display

061320



## Digital remote pool thermometer

- Can be used in ponds or swimming pools
- Display in °C / °F
- Indoor temperature + water temperature display
- Display maximum/minimum values
- Delivery without batteries (4 x AAA)

061333



## Digital floating thermometer

- Solar powered pool thermometer with digital display
- Display in °C / °F

061330



## Ball head floating thermometer

- Display in °C

061310



## Dolphin floating thermometer

- Display in °C / °F

061325



## Chlorine dosage dispenser Fish Magic

- For 200 g tablets
- Adjustment ring to control chemical dosage

079055



## Derby Duck floating thermometer

- Display in °C / °F

061326



## Animal pattern floating thermometer

- With 6 different animal designs
- Display in °C / °F

061315

# Dosing aids & Testing Kits



## Kiddy Safe chlorine dosage float

- Child-safe lid certified in accordance with ISO 8317
- For 20 g tablets
- Adjustment ring for chemical dosage



079058



## Chlorine dosage float with integrated thermometer

- For 20 - 200 g tablets
- Adjustable ring to control chemical dosage
- Thermometer display in °C/°F

079070

# Dosing aids & Testing Kits



## Pooltester pH/chlorine

- Pack with 10 tablets phenol red + DPD1
- For pH level and free chlorine
- Accurate, fast and easy measurement

079000

Hazard notes on page 120  
EUH210



## Refill pack for pH level and free chlorine

- Pack with 30 tablets Phenol Red + DPD1
- For pH level and free chlorine

079010

Hazard notes on page 120  
EUH210



## Chlorine dosage float Mini

- For 20 g tablets
- Adjustable ring to control chemical dosage

079050



## Chlorine dosage float Maxi

- For 20 - 200 g tablets
- Adjustable ring to control chemical dosage

079060GH



## Pooltester pH/O<sub>2</sub>

- Pack with 10 tablets phenol red + DPD4
- For pH level and O<sub>2</sub>
- Accurate, fast and easy measurement

079002

Hazard notes on page 120  
EUH210



## pH/O<sub>2</sub> Replacement Tablets

- Pack with 30 tablets Phenol Red + DPD4
- For pH level and O<sub>2</sub>

079013

Hazard notes on page 120  
EUH210



## Chlorine dosage feeder

- For pools sizes up to 95 m<sup>3</sup>
- Capacity up to 7 units long life tablets
- Connector 1 inner thread
- Smooth dosage control via regulating screw
- Integrated air extraction valve

Please note! Only suitable for long life chlorine tablets.

079030



## Digital weighing scales for pool chemicals

- These digital dosage weighing scales make it quick and easy to weigh your pool chemicals.
- Scale range 0 - 500 g (+/- 2g)
  - LCD display, tare function, sum function
  - Removable scoop
  - Automatic power off
  - 1 x button cell CR2032 (included in delivery)

079040



## Quick test strips for pH level and free chlorine

- 50 test strips
- For pH level and free chlorine

079020



## Quickest strips for salinity

- 20 pcs
- Fast and accurate measurement of salinity
- For pool or whirlpool

079025

# Hoses & Individual Components



## Swimming pool hose plastic, lugged

060000	Swimming pool hose Ø 32 mm, 100.1 m
060005	Swimming pool hose Ø 32 mm fixed length 6.6 m
060010	Swimming pool hose Ø 38 mm, 100.5 m
060015	Swimming pool hose Ø 38 mm fixed length 6.0 m
060017	Swimming pool hose Ø 38 mm fixed length 9.0 m
129083	Swimming pool hose Ø 38 mm fixed length 7.6 m



## INTEX swimming pool hose Ø 32 mm

- Ø 32 mm
- 150 cm length hose

129059



## INTEX swimming pool hose Ø 38 mm

- Screw thread 2" inner thread
- Length hose 150 cm
- Only suitable for use with INTEX pools

129060



## Teflon thread tape, twin pack

- For sealing screw connections

060040



## Double hose nozzle Ø 32/38 to Ø 32/38mm

- For connecting swimming pool hoses Ø 32/38 mm

060034



## Double hose nozzle Ø 32/32 mm

- For swimming pool hoses Ø 32/32 mm
- Twin pack

060032



## Hose nozzle Ø 38mm / Glue outer diameter 50

- For swimming pool hoses Ø 38 mm
- Glued connector outer diameter 50
- Twin pack

060031



## Hose clips

- Hose clamps for swimming pool hose
- Ø 32/38 mm
- Twin pack

060039



## Hose clips

- Hose clamps for swimming pool hose
- Ø 32/38 mm
- Pack of 4 pieces

060038



## Double hose nozzle Ø 38/38 mm

- For swimming pool hoses size Ø 38/38 mm
- Twin pack

060033



## Hose nozzle Ø 32/38 mm x 1 1/2" outer thread

- Ø 32/38 mm x 1 1/2" outer thread
- Including Teflon tape
- Twin pack

060030



## Fittings

- DN 50
- 2" AG x 2" AG
- 26 x 66 x 65 mm
- For extension of 38 mm INTEX hoses with union nut

062085

**NEW**



Pool accessoires



# Individual Components



## Adapter for INTEX Pools/Steinbach, 2" outer thread x 1" inner thread

- For Steinbach filter units
- Connection on the pressure side
- 2" outer thread x 1" inner thread

040934



## Adapter for INTEX Pools 2" x 1 1/2" AG

- 2" outer thread x 1 1/2" outer thread

040933

# Individual Components



## INTEX Connector-Set Ø 32 mm

- Complete set for all INTEX Pools with Ø 32 mm hose connector
- Content:
- 2 pieces grommets
  - 2 pieces end caps
  - 1 piece inlet nozzle
  - 1 piece filter grid

125022



## Bypass set

- For targeted control of the water flow
- Specially made for solar units, heat pumps
- Suitable for hose connection Ø 32/38 mm
- Supplied with 3-way valve, T-piece, hose nozzles, hose clamps and teflon tape

060045



## Retracted adapter B

- INTEX special adapter
- High-quality plastic
- Chlorine and saltwater resistant
- For connecting filter units type ECO with INTEX swimming pool hoses (Ø 38 mm with 2" thread)
- For connecting INTEX pools with Ø 32 mm with hose connection and gate valve with 2" thread

110722



## Adapters

- INTEX special adapter
- High-quality plastic
- Chlorine and saltwater resistant
- For connecting filter units type ECO with INTEX swimming pool hoses (Ø 38 mm with 2" thread)
- For connecting INTEX pools with Ø 32 mm with hose connection and gate valve with 2" thread

129061

**NEW**



## INTEX Connector-Set Ø 38 mm 4 to 7.3 m³/h

- This connection-set is suitable for all INTEX pools with Ø 38 mm hose connection, gate valve and with a pump system flow rate from 4 to 7.3 m³/h.

126004



## INTEX Connector-Set Ø 38 mm 7.3 to 9.2 m³/h

- This connection-set is suitable for all INTEX pools with Ø 38 mm hose connection, gate valve and with a pump system flow rate from 7.3 to 9.2 m³/h.
- 2 pcs. Gate valve
  - 1 pc. sealing cap
  - 1 pc. Water Vitalizing Nozzle Set
  - 1 pc. screen grid

126005



## Adapter A, Ø 32/38 mm x 2" inner thread

- Ø 32/38 mm x 2" inner thread
- Length: 9.20 cm
- High quality plastic
- Chlorine and salt water resistant

110849



## Gate valve Ø 38 mm x 1 1/2" outer thread

- Hose fitting Ø 38 mm x 1 1/2" outer thread

060020



## 3 way valve Ø 32/38 mm

- Hoses connector Ø 32/38 mm

060025



## T-piece nozzle Ø 32/38

- For connecting swimming pool hoses size Ø 32/38 mm

060036

# Pool Covers



## Deluxe cover for Frame-Pools

The fast and easy solution for your Frame Pool. The UV resistant PE cover offers protection from dirt, reduces evaporation, and keeps your pool water clean and warm for longer periods of time. Attached via circumference cord, drainage holes, overhang approx. 20 cm

- 128040 Deluxe cover for Frame-Pool Ø 488 cm
- 128041 Deluxe cover for Frame-Pool Ø 549 cm



## Covers for Easy Set Pools®

The fast and easy solution for your Easy Pool Set. The strong 0.18mm vinyl cover protects from coarse dirt, reduces evaporation, and keeps your pool water clean and warm for longer. Attached via circumference cord, drainage holes, overhang approx. 30 cm

- 128020 Pool cover Easy Set Pools® Ø 244 cm
- 128021 Pool cover Easy Set Pools® Ø 305 cm
- 128022 Pool cover Easy Set Pools® Ø 366 cm
- 128026 Pool cover Easy Set Pools® Ø 396 cm
- 128023 Pool cover Easy Set Pools® Ø 457 cm



## Covers for Intex Frame Pools

The fast and easy solution for your Frame Pool. The strong 0.18mm vinyl cover protects from coarse dirt, reduces evaporation, and keeps your pool water clean and warm for longer periods of time. Attached via circumference cord, drainage holes, overhang approx. 25 cm

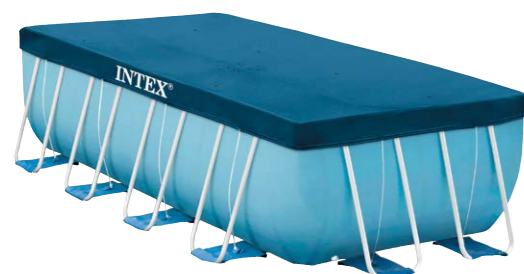
- 128030 Pool cover Frame-Pool Ø 305 cm
- 128031 Pool cover Frame-Pool Ø 366 cm
- 128032 Pool cover Frame-Pool Ø 457 cm



## Covers for Intex Frame Pool Family

The fast and easy solution for your Frame Pool. The strong 0.18 mm vinyl cover protects from coarse dirt, reduces evaporation, and keeps your pool water clean and warm for longer periods of time. Attached via cord, drainage holes, overhang approx. 20 cm

- 128038 Pool cover Frame-Pool Family 300 x 200 cm
- 128039 Pool cover Frame-Pool Family 460 x 226 cm



## Cover for Frame Pool Prism Quadra 400 x 200 cm

The fast and easy solution for your Frame Pool. The strong vinyl cover protects from coarse dirt, reduces evaporation, and keeps your pool water clean and warm for longer periods of time.

128037



## Protective floor covers for pools 472 x 472 cm

Dimensions approx. 472 x 472 cm (L x W)  
This INTEX base cover is made of robust 75 g/m<sup>2</sup> polyethylene and protects the underside of your pool liner from heavy dirt. Place the protective cover between ground and pool. The cleaning effort needed at the end of the pool season is reduced to a minimum.

128048

# Pool Covers



## Summer covers light for pools Ø 360 cm

Protects your pool water from contamination, keeps it warm for longer periods of time and reduces evaporation. Material: PE 86 g/m<sup>2</sup>, with cable on the border

- 036200 Summer covers light for pools of Ø 3.60 m
- 036201 Summer covers light for pools of Ø 4.60 m



## Summer covers SPECIALLY made for circular steel wall pools

With tension cord and ratchet, 70 cm excess, material: PE 94 g/m<sup>2</sup>, reinforced, colour: Top blue, underside black

- 036205 Summer covers for circular pools Ø 360 cm
- 036210 Summer covers for circular pools Ø 400 cm
- 036220 Summer covers for circular pools Ø 460 cm
- 036225 Summer covers for circular pools Ø 500 cm
- 036230 Summer covers for circular pools Ø 550 cm
- 036235 Summer covers for circular pools Ø 600 cm



## Winter covers SPECIALLY for circular steel wall pools

With tension cord and ratchet, 130 cm excess, material: PE 120 g/m<sup>2</sup>, reinforced, colour: Top green, underside black

- 036305 Winter covers for circular pools Ø 360 cm
- 036310 Winter covers for circular pools Ø 400 cm
- 036320 Winter covers for circular pools Ø 460 cm
- 036325 Winter covers for circular pools Ø 500 cm
- 036330 Winter covers for circular pools Ø 550 cm
- 036335 Winter covers for circular pools Ø 600 cm



## Summer covers SPECIALLY for oval steel wall pools

With tension cord and ratchet, 70 cm excess, material: PE 94 g/m<sup>2</sup>, reinforced, colour: Top blue, underside black

- 036240 Summer covers for oval pools 550 x 360 cm
- 036250 Summer covers for oval pools 640 x 360 cm
- 036255 Summer covers for oval pools 730 x 370 cm



## Winter covers SPECIALLY for oval steel wall pools

With tension cord and ratchet, 130 cm excess, material: PE 120 g/m<sup>2</sup>, reinforced, colour: Top green, underside black

- 036340 Winter covers for oval pools 550 x 360 cm
- 036341 Winter covers for oval pools 620 x 360 cm
- 036350 Winter covers for oval pools 730 x 370 cm



## Cover for Swim Center Family Pools

- Robust and durable pool cover
- Suitable for Swim-Center Family Pools 305 x 183 cm and 262 x 175 cm (L x W)
- Special cover with 51 cm overhang, incl. fastening rope

158412NP

# Pool Covers

5 - 6 ° C warmer water, extension of the bathing season by 4 - 6 weeks, significantly reduces the care required. Available for almost all standard swimming pools.



## For circular pools with a narrow handrail

- 036507 Cabrio Dom for pools Ø 300 cm  
■ For narrow handrail with approx. 4 cm width
- 036501 Cabrio Dom for pools Ø 350 - 360 cm  
■ For narrow handrail with approx. 4 cm width
- 036502 Cabrio Dom for pools Ø 400 - 420 cm  
■ For narrow handrail with approx. 4 cm width
- 036503 Cabrio Dom for pools Ø 450 cm  
■ For narrow handrail with approx. 4 cm width
- 036504 Cabrio Dom for pools Ø 500 cm  
■ For narrow handrail with approx. 4 cm width
- 036508 Cabrio Dom for pools Ø 550 cm  
■ For narrow handrail with approx. 4 cm width
- 036506 Cabrio Dom for pools Ø 600 cm  
■ For narrow handrail with approx. 4 cm width

## For circular pools with a wide handrail

- 036511 Cabrio Dom for pools Ø 370 cm  
For wide hand rails of width approx 8 - 25 cm
- 036513 Cabrio Dom for pools Ø 460 cm  
For wide hand rails of width approx 8 - 25 cm
- 036515 Cabrio Dom for pools Ø 550 cm  
For wide hand rails of width approx 8 - 25 cm

## For oval pools with a wide handrail

- 036521 Cabrio Dom for oval pools 550 x 360 cm  
■ For wide hand rails of width approx 8 - 25 cm
- 036525 Cabrio Dom for oval pools 610 x 366 cm  
■ For wide handrails with approx. 8 - 25 cm width
- 036524 Cabrio Dom for oval pools 730 x 370 cm  
■ For wide hand rails of width approx 8 - 25 cm



## Solar cover reels stainless steel for pools up to 5 m width

- Plastic hand wheel
- Stainless steel substructure
- Extendible aluminium shaft
- Including mounting kit for solar tarpaulins with eyelets
- For pools up to 5 m width
- Movable

036086

## Pool cover

The Steinbach pool cover can be used individually: as a sun screen over the pool, or as a cover over your seating. Assembly is quick and easy, the light weight allows rapid assembly.

- Rapid heating of the pool water
- Reduced contamination of the pool
- Sun protection for children and adults

- 036420 Steinbach pool cover  
■ 500 x 433 x 250 cm (L x W x H)  
■ Suitable for pools up to Ø 400 cm

- 036425 Steinbach mega pool cover  
■ 600 x 520 x 280 cm (L x W x H)  
■ Suitable for pools up to Ø 457 cm



**NEW**

## Pool canopy for Frame Pool Set Rondo + Ultra

- Easy assembly with clamps
- Durable, waterproof polyester construction with UPF 50+
- Multiple roofs can be used together
- Wind resistant up to 18 km/h
- Fits all frame pool sets Prism Quadra, Prism Oval and Ultra Quadra XTR (except 975 x 488 x 132 cm) as well as round frame pools with 305 and 366 cm diameter

128054



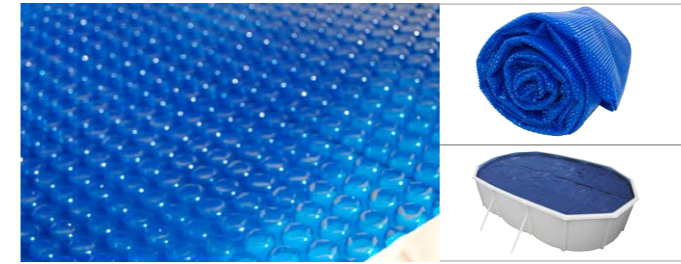
## Solar cover reels plastic for pools up to 5 m width

- Plastic bearing blocks, plastic hand wheel
- Extendible aluminium shaft
- For pools up to 5 m width
- Incl. fixing kit for all solar covers
- For fixed mounting

036085

# Pool Covers

3 - 5 ° C warmer pool water, a longer bathing season, easy to use.



## Dimpled solar sheets for pools only, professional quality, pre-cut, 300 µm thick

- 036170 Solar covers for rectangular pools 6.00 x 3.00 m
- 036175 Solar covers for rectangular pools 7.00 x 3.50 m
- 036177 Solar covers for rectangular pools 7.00 x 4.00 m
- 036180 Solar covers for rectangular pools 8.00 x 4.00 m
- 036185 Solar covers for rectangular pools 9.00 x 4.00 m
- 036190 Solar covers for rectangular pools 9.00 x 5.00 m
- 036193 Solar covers for rectangular pools 10.00 x 5.00 m

## Dimpled solar sheets specially made for circular pools in professional quality. 300 µm thick, pre-cut

- 036110 Solar covers for circular pools Ø 400 cm
- 036120 Solar covers for circular pools Ø 460 cm
- 036125 Solar covers for circular pools Ø 500 cm
- 036130 Solar covers for circular pools Ø 550 cm
- 036135 Solar covers for circular pools Ø 600 cm

## Dimpled solar sheets specially made for oval pools in professional quality. 300 µm thick, pre-cut

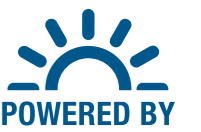
- 036140 Solar covers for oval pools 550 x 360 cm
- 036150 Solar covers for oval pools 630 x 360 cm
- 036155 Solar covers for oval pools 730 x 370 cm



## Solar Cover Reel

- Easy to install and use
- Significantly extends service life of a solar cover
- Suitable for rectangular frame pools with a width from 274 - 488 cm

128051



## Dimpled solar sheets for INTEX pools, pre-cut

- 129020 Solar covers Easy & Frame pool Ø 244 cm  
■ Thickness 120 Mikron (110g/m<sup>2</sup>)  
■ Size: approx. Ø 206 cm
- 129021 Solar covers Easy & Frame pool Ø 305 cm  
■ Thickness 120 Mikron (110g/m<sup>2</sup>)  
■ Size: approx. Ø 290 cm
- 129022 Solar covers Easy & Frame pool Ø 366 cm  
■ Thickness 120 Mikron (110g/m<sup>2</sup>)  
■ Size: approx. Ø 348 cm
- 129023 Solar cover Easy & Frame pool Ø 457 cm  
■ Thickness 160 Mikron (150g/m<sup>2</sup>)  
■ Size: approx. Ø 448 cm
- 129024 Solar covers Easy & Frame pool Ø 488 cm  
■ Thickness 160 Mikron (150g/m<sup>2</sup>)  
■ Size: approx. Ø 470 cm
- 129025 Solar covers Easy & Frame pool Ø 549 cm  
■ Thickness 160 Mikron (150g/m<sup>2</sup>)  
■ Size: approx. Ø 538 cm
- 129026 Solar covers Ultra Frame rectangular 549 x 274 cm  
■ Thickness 160 Mikron (150g/m<sup>2</sup>)  
■ Size: approx. 538 x 253 cm
- 129027 Solar cover Ultra Frame rectangular 732 x 366 cm  
■ Thickness 160 Mikron (150g/m<sup>2</sup>)  
■ Size: approx. 716 x 346 cm
- 129028 ■ Thickness 160 Mikron (150g/m<sup>2</sup>)  
■ Size: approx. 378 x 186 cm
- 129029 ■ Thickness 160 Mikron (150g/m<sup>2</sup>)  
■ Size: approx. 476 x 234 cm
- 129030 ■ Thickness 160 Mikron (150g/m<sup>2</sup>)  
■ Size: approx. 960 x 466 cm



## Whirlpool canopy

- For whirlpools up to approx. Ø 200 cm
- 2 doors and 4 side panels with mesh insert
- Retractable privacy screens with zip fastening
- 3 tent poles made of flexible fiberglass
- 4 access hatches for whirlpools with external technology, 40 x 50 cm (W x H)
- Includes protective floor covers, tent pegs, storm supports
- Including 6 pieces of sand-fillable weights (filled weight max. 20 kg/unit)

036430



# Pool care

# Quality made in Austria

- Designed and produced in Austria
- Tested quality
- Lid as measuring cup
- Child safety device
- Bucket with carrying handle
- Tamper-evident closure



# Pool Care in 5 Steps

1. Cleaning and Care
2. pH Control
3. Disinfection
4. Expedients
5. Algae Prevention



These warnings can also be found at the individual chemical products.

GHS05



GHS07



GHS09



- H290 May be corrosive to metals.
- H302 Harmful if swallowed.
- H314 Causes severe skin burns and eye damage.
- H315 Causes skin irritation.
- H318 Causes serious eye damage.
- H319 Causes serious eye irritation.
- H335 May cause respiratory irritation.
- H410 Very toxic to aquatic life with long-lasting effects.
- H412 Harmful to aquatic life with long-lasting effects.
- EUH031 Contact with acids liberates toxic gas.
- EUH206 Warning! Do not use together with other products. May release dangerous gases (chlorine).
- EUH210 Safety data sheet available on request

\* Hazard characteristics according to EU Regulation 1272/2008  
 \*\* Use biocidal products with care. Always read the label and product information before use!

# Pool Care



## Chlorine Starter Set

- Crystal clear water for cartridge- & sand filter
- 1.0 l Algæcide liquid
  - 1.0 kg Chlorine tabs 200 g slowly soluble
  - 1.0 kg Chlorine granules
  - 1.5 kg pH - (minus) granules
  - 1 thermometer
  - test strips for pH-value and free chlorine
  - manual pool care

0759001TS



## Pool maintenance set

- Crystal clear water for cartridge- & sand filter
- 1.0 l Algæcide liquid
  - 1.0 kg FreshUp Sparkling Tabs 5 g
  - 1.5 kg pH - (minus) granules
  - test strips for pH-value and free chlorine
  - manual pool care

0759009TS



## Chlorine tabs 200 g slowly soluble

- Slowly soluble 200 g chlorine tablets
- Effective against fungi, viruses and organic turbid materials
- pH-neutral
- Suitable for all water hardnesses
- Residue-free dissolution
- Field of application: long-term dosage

0752201TD00 1 kg  
 0752205TD00 5 kg

\* Hazard characteristics according to EU Regulation 1272/2008  
 \*\* Use biocidal products with care. Always read the label and product information before use!



## Sauerstoff Starter set

- Crystal clear water with no added chlorine, oxygen-based
- 1.0 l Crystal clear liquid
  - 1.0 l Oxygen activator liquid
  - 1.0 kg Oxygen granules
  - test strips for pH-value and oxygen
  - manual pool care

0759018TS



## Chlorine granules

- Quickly soluble chlorine granules
- Effective against fungi, viruses and organic turbid materials
- pH-neutral
- Suitable for all water hardnesses
- Residue-free dissolution
- Field of application: initial dosage and shock treatment

0751201TD00 1 kg  
 0751205TD00 5 kg



## Total blue 20 g slowly soluble

- Slowly soluble 20 g multifunction tablet for long-term dosing
- For disinfection and algal growth prevention
- Effective against fungi, viruses and organic turbid materials
- Aquamarine for kristal clear water
- pH-neutral for all water hardnesses
- Residue-free dissolution
- Field of application: long-term dosage

0752301TD00 1 kg  
 0752305TD00 5 kg



## Whirlpoolset All in One

- Basic package for the perfect water treatment of your whirlpool
- 0.5 kg pH + (plus) granules
  - 0.75 kg pH - (minus) granules
  - 0.5 l Hardness stabiliser liquid
  - 0.5 kg FreshUp Sparkling Tabs 5 g
  - 50 test strips

0759008TS



## Chlorine tabs 20 g

- Quickly soluble 20 g chlorine tabs
- Dust reduced through special granulation
- Effective against fungi, viruses and organic turbid materials
- pH-neutral
- Suitable for all water hardnesses
- Residue-free dissolution
- Field of application: initial dosage and long-term dosage

0757201TD00 1 kg  
 0757205TD00 5 kg



## Quattrotabs 200 g slowly soluble

- 200 g multifunction tablet for long-term dosing
- Chlorine for disinfection and algal growth prevention
- Effective against fungi, viruses and organic turbid materials
- With flocculant
- pH-neutral for all water hardnesses
- Residue-free dissolution
- Field of application: long-term dosage

0752601TD00 1 kg  
 0752605TD00 5 kg

\* Hazard characteristics according to EU Regulation 1272/2008  
 \*\* Use biocidal products with care. Always read the label and product information before use!

# Pool Care



\* GH505 Gefahr  
Hazard note: H318

## pH - (minus) granules

- Dust reduced
- Easily soluble
- pH-Minus is used to lower the pH-value
- The basis for the optimal effectiveness of disinfectants is a correctly adjusted pH-value

0753001TD00 1 kg  
0753005TD00 7.5 kg



\* GH507 Attention  
Hazard note: H319

## pH + (plus) granules

- Dust reduced
- Easily soluble
- pH-plus is used to increase the pH-value
- The basis for the optimal effectiveness of disinfectants is a correctly adjusted pH-value

0753201TD00 1 kg  
0753205TD00 5 kg



\*\* GH507/GH509 Attention, UN3082  
Hazard note: H302, H319, H335, H410,  
EUH031, EUH206

NEW

## FreshUp Sparkling Tabs 5 g

- Quickly soluble 5 g tablets
- Specially for Pools up to 5 m
- Effective against fungi, viruses and organic turbid materials
- pH-neutral
- Suitable for all water hardnesses
- Residue-free dissolution
- Field of application: initial dosage and long-term dosage

0757001TS00 1 kg

# Pool Care



\*/ \*\* GH509 Attention, UN3082  
Hazard note: H410

## Crystal clear liquid

- Highly concentrated, foam-free agent with clearing effect and long-term effect
- Helps removing turbidities
- For crystal clear swimming pool water
- Field of application: initial dosage and long-term dosage

07537S01TD00 1 l



\*/ \*\* GH509 Attention, UN3082  
Hazard note: H410

## Oxygen activator liquid

- For use in connection with oxygen granules
- Increases the disinfecting effect
- Prevents algal growth
- Field of application: initial dosage and long-term dosage

07535S01TD00 1 l



Chlorine

\*/ \*\* GH505/GH507 Danger, UN3260  
Hazard note: H302, H314, H412,

## Oxygen granules

- Rapid disinfection and oxidation of impurities without chlorine
- Well soluble compound
- Cleaves active oxygen in aqueous solution
- Switching from chlorine to active oxygen is possible at any time
- Field of application: initial dosing and long-term dosage

0756001TD00 1 kg



## Chlorine stabiliser granules

- Reduces the consumption of chlorine due to sun exposure and higher water temperatures
- Reduces the unpleasant smell of chlorine
- Great effect at low dosage levels

0755601TD00 1 kg



## Superflock liquid

- To bundle suspended particles (cause of turbidity) in the water
- Improves the effectiveness of the sand filter
- For crystal clear water

0754301TD00 1 l  
Not suitable for cartridge filters!



## Hardness stabiliser liquid

- Reduces limescale
- Reduces lime precipitation
- Prevents water turbidities
- Existing metal ions are bound

0755301TD00 1 l



## Pool cleanser super

- For the cleaning of heavy lime deposits
- Dissolves rust, urine deposits and general dirt
- For indoor and outdoor pools
- Perfect for the basic cleaning

0755201TD00 1 l

\* GH505/GH507 Gefahr  
Gefahrenhinweise: H290, H314, H335



\*/ \*\* GH509 Attention, UN3082  
Hazard note: H410

## Algaecide liquid

- Highly concentrated, foam-free and liquid algaecide with long-term effect
- Prevents algal growth
- Helps removing turbidities
- Clears the swimming pool water

0753501TD00 1 l  
0753505TD00 5 l



\*/ \*\* GH509 Attention, UN3082  
Hazard note: H410

## Winter care product liquid

- Prevents strong adhesion of limescale and dirt deposits
- Prevents algal growth out of the bathing season
- Concentrated agent with long-term effect
- Facilitates using your pool in spring

0753701TD00 1 l  
0753705TD00 5 l



\* GH505 Danger  
Hazard note: H318

## Flock cartridge

- To bundle suspended particles (cause of turbidity) in the water
- Improves the effectiveness of the sand filter
- For crystal clear water
- Not suitable for cartridge filters!

0754001TD00 1 kg



\* GH505 Danger  
Hazard note: H315, H318

## Scum line gel cleanser special alkaline

- For the cleaning of dirt, grease and soot edges
- Easy application due to its viscous consistency
- For indoor and outdoor pools
- Perfect for the basic cleaning

0755101TD00 1 l



\* GH505 Danger  
Hazard note: H290, H314

## Metall-EX liquid

- Removes turbidities in the water and deposits on the fittings due to metals in the water
- Removes deposits on the pool bottom and walls
- Removes iron, copper and other metals
- Easy handling

0755401TD00 1 l



\* GH505 Danger  
Hazard note: H315, H318

## Pool cleanser alkaline

- For the cleaning of grease, lime soap and general dirt.
- For indoor and outdoor pools
- Perfect for the basic cleaning
- Improved formula

0755001TD00 1 l



Chlorin-free

\*/ \*\* GH507/GH509 Attention,  
UN3082, Hazard note: H410

## Aquarius Kids 50

- 1 sachet is sufficient for 500 - 1000 l water content
- Effective against fungi and algae in the water
- Suitable for hard water and salt water
- Non-foaming
- pH neutral

0753655TD00 250 ml



\*/ \*\* GH505 Danger, UN1791  
Hazard note: H290, H314,  
H410, EUH031, EUH206

## Chlorin liquid

- Liquid chlorine-based disinfectant
- For all common automatic dosing systems
- The integrated stabilisation decelerates the degradation of the chlorine content
- Prevents clogging in the dosage pipes and valves

0752925TD00 25 kg



\* GH505 Danger  
Hazard note: H290, H314

## pH - (minus) liquid

- Liquid agent to lower the pH-value
- Highly concentrated
- For all common automatic dosing systems
- The base for the optimum effect of disinfectants is a correctly adjusted pH-value

07531A20TD00 20 kg

\* Hazard characteristics according to EU Regulation 1272/2008  
\*\* Use biocidal products with care. Always read the label and product information before use!

\* Hazard characteristics according to EU Regulation 1272/2008  
\*\* Use biocidal products with care. Always read the label and product information before use!

## 1. Step

### Cleaning and Care



#### Before filling your pool

Before filling, clean the pool carefully with POOL CLEANSER ALKALINE (for normal impurities) or POOL CLEANSER SUPER (for lime deposits).

After successful cleaning we recommend treating the pool walls and the pool bottom with ALGAECIDE LIQUID. ALGAECIDE LIQUID is a chlorine-free algae prophylactic.

Before activating the filter system, please check the filter sand. Replace it when it is no longer fine-grained. Be sure to insert a new filter cartridge when using a cartridge filter system.

#### Filling the pool

We recommend to fill the pool with well water by no means! Well water is usually heavily ferrous and coppery. This water can be saved only with the aid of highly concentrated chlorine or special chemicals. The price advantage which results from the filling with well water is more than offset by the increased demand for water care products. Therefore, if possible, only use water from a public waterworks, because this has already been treated.

#### Cleaning

Regular cleaning of your pool liner prolongs its durability. Detergents adapted for the particular field of use facilitate your care.

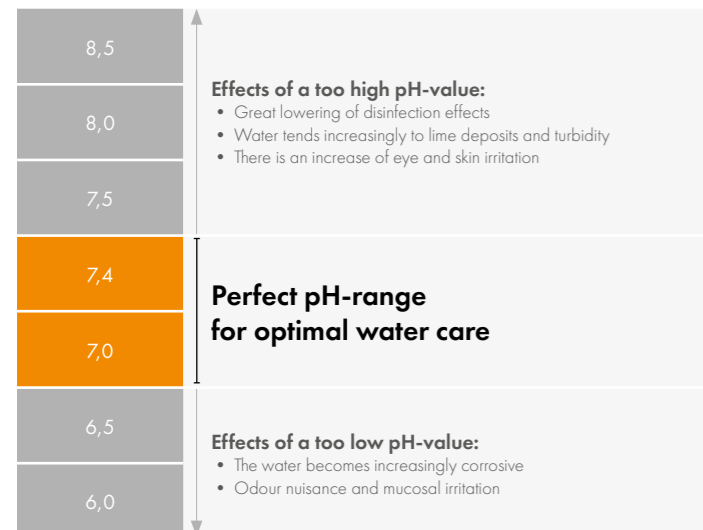
## 2. Step

### pH-Control



The main thing is a correctly adjusted pH-value. This is essential for optimum performance of the used water care products.

The pH-value should be checked with the test kit or Quicktest strips immediately after filling your pool. The measured value (comparative measurement) should always be between 7.0 and 7.4 and should always be in this area during further use. The pH-value will be influenced by factors such as water temperature and bathing frequency. Therefore, the measurement should be repeated at least once or twice a week.



## 3. Step

### Disinfection



#### Disinfection with chlorine

Germs and bacteria find optimal conditions of growth in your pool water, especially at high temperatures. In addition, impurities by bathers and from the environment occur. To prevent these influences, we use chlorine-based disinfectants. They eliminate bacteria, germs and disinfect your pool water.

The ideal chlorine level is in a range between 0.3 to 0.6 mg/l. The measurement should be made once per week at least.



Quicktest strips or Testkit with tablets

#### First chlorination CHLORINE GRANULES

is a fast-dissolving disinfectant, which is immediately effective against fungi and viruses and eliminates organic turbidity and impurities in the pool water. CHLORINE GRANULES is lime-free, pH-neutral and can be used with all water hardness.

#### Routine disinfection

You should add disinfectants not before the chlorine level is in the low range of the recommended value. Consider also that proper disinfection or crystal clear water is only possible in conjunction with an adequate filtering and with a filter system adapted for the water quantity.

#### CHLORINE TABS 20 G

are fast-dissolving chlorine tablets that have an immediate effect against fungi and viruses and reduce organic turbidity and impurities in the pool water.

#### CHLORINE TABS 200 G SLOWLY SOLUBLE

are lime-free and act for a long time against bacteria, viruses and fungi in the pool water and reduce organic turbidity and impurities. CHLORINE TABS 200 G SLOWLY SOLUBLE can be used for every water hardness, they dissolve without residue and do not cause debris or clogged filters.

#### TOTAL BLUE 20 G SLOWLY SOLUBLE - multifunction tablets

Is the complete swimming pool water care for permanent disinfection, algae prevention and pH stabilization. TOTAL BLUE 20 G SLOWLY SOLUBLE ensures crystal clear, navy blue pool water. The new active agent combination enables secure and simple water care with just one tablet, also for small swimming pools.

#### QUATTROTABS 200 G SLOWLY SOLUBLE

is the complete swimming pool water care for permanent disinfection, algae prevention and flocculation (with sand filters). QUATTROTABS 200 G SLOWLY SOLUBLE act against bacteria, viruses, fungi, algae growth and turbidity for a long time.

## 4. Step

### Expedients



#### Flockung - Removing cloudiness

Smallest dirt particles cannot be retained by the sand filter. To remove them, we recommend the use of flocculants. Only for use with sand filter systems!

#### Hard water

The harder the water the greater the risk of limescale, lime precipitates and cloudiness in your pool. The addition of HARDNESS STABILISER LIQUID at the begin of the season prevents these negative effects.

#### Metals and metal deposits in the water

We recommend to fill the pool with well water by no means! Well water is usually heavily ferrous and coppery.

## 5. Step

### Algae prevention

Algae are a breeding ground for bacteria. For sustainable algae-free pool water the use of algaecide is absolutely recommended.

#### ALGAECIDE LIQUID

Highly concentrated and foam-free algae prevention with clear effect. Liquid algaecide with long-term effect for the prevention and mortification of existing algae.

#### Preparing for the winter

If the water in your pool is only lowered and the pool is not completely dismantled, we recommend the winterizing not before the water temperature is below 12° C. Above this temperature range, the filter pump should run regularly or the water maintenance should be carried out as during the pool season (pH value, chlorine value). Otherwise, the first algae can form before the winter months.

Whether your pool is allowed to stay up during the winter, please refer to the user guide.

After lowering the water level, we recommend the addition of a winter care product to avoid algae growth in the winter months.

## Troubleshooter

### What is to be done ...

<b>Problem:</b>	<b>Cloudy, dirty water</b>
<b>Cause:</b>	Faulty filter function, too many organic substances
<b>Solution:</b>	Backwashing. If the filter system is calcified, use an acidic filter cleaner. If the filter system is ok, make a shock chlorination, meaning raise the chlorine level of the pool water up 3 mg/l for a short time. The addition of flocculant is recommended as an additional measure (Warning: prohibited for cartridge filter systems). Backwash thoroughly. Clean cartridge filter or replace by a new one.
<b>Problem:</b>	<b>Milky water</b>
<b>Cause:</b>	Lime precipitates, not filtered particles
<b>Solution:</b>	Adjust the pH level to 7.2 by adding pH + (PLUS) GRANULES or pH - (MINUS) GRANULES. If there are suspended matters turn off the circulation pump and remove the flakes on the bottom with the pool cleaner after about 10-12 hours. Lime precipitates in the pool water (turbidity, shimmering white coating on the water surface, etc.) usually disappear shortly after adjusting the pH to 7.2 and after the addition of a flocculants while the filter system is running (Warning: prohibited for cartridge filter systems). Backwash thoroughly. Clean cartridge filter or replace by a new one.
<b>Problem:</b>	<b>Greenish water, algae, slippery walls</b>
<b>Cause:</b>	Too little disinfectant in the water, algae growth
<b>Solution:</b>	Adjust the pH level to 7.2. Let the filter system run continuously during the first 1-2 days. For disinfection with chlorine: Wipe dead algae from the pool walls. Remove algae from bottom with a brush and an aspirator. Make a shock chlorination, meaning raise the chlorine level of the pool water up 3 mg/l. The addition of ALGAECIDE LIQUID is recommended. Backwash thoroughly. The added chlorine has degraded after a few days. Backwash thoroughly. If the water is not clear after 1-2 days, repeat the procedure. Cartridge filter system: Frequently clean or replace the cartridge.
<b>Problem:</b>	<b>Brown water</b>
<b>Cause:</b>	Iron deposits in the water
<b>Solution:</b>	Adjust the pH level to 7.2 by adding a pH regulator. Add flocculant and METALL-LIQUID if required. (Warning: prohibited for cartridge filter systems), prolong filter run time, backwash thoroughly. Frequently clean or replace the cartridge.
<b>Problem:</b>	<b>Objectionable odor</b>
<b>Cause:</b>	Inadequate chlorine dosing, non-degraded organic substances
<b>Solution:</b>	Adjust the pH level to 7.2 by adding a pH regulator. After a shock chlorination this smell will disappear after a short time.
<b>Problem:</b>	<b>Skin and eye irritations</b>
<b>Cause:</b>	Non-degraded organic substances, pH level too high, low chlorine dosage
<b>Solution:</b>	Adjust the pH to 7.2 by adding a pH regulator. If there is too little chlorine in the water, increase the chlorine content. If the chlorine content is too high, reduce the addition.

# Leisure & sports







**Dragon Ride-On**

- 201 x 191 cm (L x W)
- Vinyl, material thickness 0.30 mm
- Cool, photorealistic dragon-design
- 2 handles for more safety
- Guarantees an entertaining bathing experience
- Age 3+

157563NP

NEW



**Mermaid Tail Float**

- 180 x 79 cm (L x W)
- Vinyl, material thickness 0.28 mm
- Hip mermaid-design
- Just let yourself drift and dream

158788EU

NEW



1



2



1



2



3



4



3



4

**Big Animal Rings<sup>1</sup>**

- Unicorn 107 x 58 cm (L x W)
- Llama 86 x 58 cm (L x W)
- Alligator 71 x 56 cm (L x W)
- Vinyl, material thickness 0.25 mm
- Swim rings in a funny animal design
- Guarantees a lot of fun for all ages
- Age 3 - 6

158221NP

NEW

**Chill 'n' Float Lounge<sup>2</sup>**

- 163 x 104 cm (L x W)
- Vinyl, material strength 0.30 mm
- Unique comfortable design
- Durable handles
- Cup holder for refreshments

156805EU

NEW

**Wave Rider Ride-On<sup>3</sup>**

- 117 x 77 cm (L x W)
- Vinyl, material strength 0.25 mm
- Solid handle
- Wide base
- Fun and action guaranteed
- Age 3+

157520NP

NEW

**Pink Frosted Donut Tube<sup>4</sup>**

- Ø 114 cm
- Vinyl, material thickness 0.25 mm
- Colorful, photo-realistic Donut-design
- Trendy bathing fun guaranteed

156256NP

NEW

**Ice Pop Float<sup>1</sup>**

- 191 x 76 cm (L x W)
- Vinyl, material thickness 0.28 mm
- Trendy Ice Pop-design
- Realistic printing

158774EU

NEW

**Cool Pineapple Mat<sup>2</sup>**

- 226 x 119 cm (L x W)
- 0.30 mm thick vinyl ensures sturdiness
- Trendy pineapple-design
- Fun in the water guaranteed

158790EU

NEW

**Water Gun Plane Ride-Ons<sup>3</sup>**

- 117 x 117 cm (L x W)
- Vinyl, material thickness 0.25 mm
- Sparkling nozzle jet with an integrated spray gun
- 2 solid handles for more safety
- Age 3+

157536NP

NEW

**Tote-n-Float Wave Mats<sup>4</sup>**

- 229 x 86 cm (L x W)
- Vinyl, material thickness 0.25 mm
- Integrated pillow for more comfort
- Easy to transport, roll it up while it's inflated and head for the pool
- Double-sealed edges
- Available in the colours yellow, pink and green
- 2 air chambers

158807EU

NEW



**Mega Llama Island**

- 201 x 147 x 173 cm (L x W x H)
- Vinyl, material thickness 0.35 mm
- Ride-on toy in a colorful llama-design
- 2 heavy duty handles for more safety
- 2 air chambers for added stability
- Great for playing and relaxing
- Age 14+

157294EU



**Sprinkle Donut Tube**

- Ø 114 cm
- Vinyl, material thickness 0.30 mm
- Colorful donut-design
- Guaranteed fun in the water

156274NP



1



2



1



2



3



4



3



4

**Llama Ride-On<sup>1</sup>**

- 135 x 112 x 94 cm (L x W x H)
- Vinyl, material thickness 0.30 mm
- Colourful llama-design
- 2 heavy duty handles for more safety
- 2 air chambers for more stability
- Age 3+

157564NP

**Lively Print Tubes<sup>1</sup>**

- Ø 61 cm
- 3 different designs
- Age 6+

159241NP

**Stingray - Ride-On<sup>3</sup>**

- 188 x 145 cm (L x W)
- Vinyl, material thickness 0,25 mm
- Animal Ride-On in a realistic looking stingray-design
- Innovative, photo-realistic printing (on top and bottom)
- 2 heavy duty handles for more safety
- Great for playing and relaxing
- Age 3+

157550NP

**Clear Color Tubes<sup>4</sup>**

- Ø 91 cm
- 3 different designs
- Age 8+

159251NP

**Glitter Sit'n Float<sup>1</sup>**

- 152 x 99 cm (L x W)
- Vinyl, material thickness 0.25 mm
- Filled with gold and pink glitter elements
- 2 heavy duty handles
- 2 drink holders
- Available in the colours Gold and Pink

156831EU

**Glitter Mermaid Tube<sup>2</sup>**

- 147 x 107 x 79 cm (L x W x H)
- Vinyl, material thickness 0.30 mm
- Tube in glittering mermaid tail design
- Filled with gold and pink glitter elements
- For a bright and sparkling summer
- Age 9+

156258EU

**Swimming Gold Lounge<sup>3</sup>**

- 175 x 119 x 61 cm (L x W x H)
- Glamorous design
- 2 air chambers for more stability
- 1 integrated drink holder for refreshments
- Wide lying surface perfect for relaxing
- 2 air chambers for more stability
- Load capacity: 100 kg

156803EU

**Glitter Beach Balls<sup>4</sup>**

- Ø 51 cm
- Vinyl, material thickness 0.23 mm
- Available in the colours Gold and Pink

158070NP



**Glitter Flamingo Tube**

- 99 x 89 x 71 cm (L x W x H)
- Vinyl, material thickness 0.25 mm
- Tube in glittering flamingo-design
- Filled with gold and pink glitter elements
- For a bright and sparkling summer
- Age 9+

156251NP



**Angel Wings Mat**

- 251 x 160 cm (L x W)
- Vinyl, material thickness 0.30 mm
- Floating air mattress in a photorealistic angel wings design
- 2 massive handles for more safety
- Guarantees fun in the water

158786EU



NEU

1



2



1



2



3



4



3



4

**Unicorn Baby Pool<sup>1</sup>**

- 127 x 102 x 69 cm (L x W x H)
- Vinyl, material thickness 0.25 mm
- Capacity at 13 cm wall height: 45 l
- Baby pool in a unicorn-design
- With sun protection
- Age 1-3

157113NP

NEW

**Flamingo Ride-On<sup>2</sup>**

- 142 x 137 x 97 cm (L x W x H)
- Vinyl, material thickness 0.30 mm
- Animal Ride-On in a cool flamingo-design
- 2 heavy duty handles for more safety
- 2 air chambers for more stability
- Great for playing and relaxing
- Age 3+

157558NP

**Mystic Unicorn Spray Pool<sup>3</sup>**

- 272 x 193 x 104 cm (L x W x H)
- Vinyl, material thickness 0.28 mm
- Capacity at 17 cm wall height: 151 l
- Children's pool in a colorful unicorn-design
- Water sprayer attaches to a garden hose
- Drain plug on the ground for quick and easy draining
- Guarantees a lot of fun and action
- Age 2+

157441NP

**Unicorn drink holder<sup>4</sup>**

- 41 x 20 cm (L x W)
- Vinyl, material thickness 0.20 mm
- Floating cup holder in a stylish unicorn design
- An absolute eye-catcher on the water
- Perfect for every pool and theme party

157506NP

**Glitter Seashell Island<sup>1</sup>**

- 178 x 165 cm (L x B)
- Vinyl, material thickness 0.30 mm
- Cool pink seashell-design
- Experience an unforgettable summer!

157257EU

**Flamingo drink holder<sup>2</sup>**

- 33 x 25 cm (L x W)
- Vinyl, material thickness 0.20 mm
- Floating drink holder in a stylish flamingo-design
- An absolute eye-catcher on the water
- Perfect for any pool and theme party

157500NP

**Swan Ride-On<sup>1</sup>**

- 130 x 102 x 99 cm (L x B x H)
- Vinyl, material thickness 0.30 mm
- Animal Ride-On in a beautiful swan-design
- 2 heavy duty handles for more safety
- 2 air chambers for more stability
- Great for playing or relaxing
- Age 3+

157557NP

**Yellow Duck Ride-On<sup>4</sup>**

- 147 x 147 x 81 cm (L x W x H)
- Vinyl, material thickness 0.30 mm
- Animal Ride-On in a cool duck-design
- 2 heavy duty handles for more safety
- 2 air chambers for more stability
- Great for playing or relaxing
- Age 3+

157556NP



**Watermelon Island**

- Ø 183 x 23 cm
  - Vinyl, material thickness 0.30 mm
  - Refreshing watermelon-design
  - Tether around the air mattress
  - Provides great resting comfort and fun on the water
- 156283EU



**Surf's Up Mat**

- 178 x 69 cm (L x W)
  - Vinyl, material thickness 0.30 mm
  - Stylish, vintage surfboard
  - Fiber-Tech™ interior structure for strength and stability
  - 2 air chambers for more stability
- 158152EU



**Kiwi Slice Mat<sup>1</sup>**

- 178 x 85 cm (L x W)
- Vinyl, material thickness 0.28 mm
- Cool kiwi fruit-design
- Realistic printing
- Ensures fun in the water

158764EU



**Orange Slice Mat<sup>2</sup>**

- 178 x 85 cm (L x W)
- Vinyl, material thickness 0.28 mm
- Cool orange fruit-design
- Realistic printing
- Ensures fun in the water

158763EU



**Sprinkle Donut Tube<sup>3</sup>**

- Ø 114 cm
- Vinyl, material thickness 0.25 mm
- Colourful, photorealistic donut-design
- Guarantees fun in the water

156263NP



**Nutty chocolate donut tube<sup>4</sup>**

- Ø 114 cm
- Vinyl, material thickness 0.25 mm
- Photorealistic chocolate donut-design
- Guarantees fun in the water

156262NP



**Mesh Lounger<sup>1</sup>**

- 178 x 94 cm (L x W)
- Mesh bottom for keeping cool
- Inflatable fabric-wrapped ring ensures greater durability
- Integrated pillow for higher comfort
- 2 air chambers provide more stability

158836EU



**18-Pocket Fashion Lounge<sup>2</sup>**

- 188 x 71 cm (L x B)
- Vinyl, material thickness 0.28 mm
- 2 air chambers
- Large, integrated pillow
- Available in 3 different colours

158890EU



**King Cool Lounge<sup>3</sup>**

- 160 x 85 cm (L x W)
- Vinyl, material thickness 0.30 mm
- Transparent top panels with multi-coloured I-beams
- Arm and backrest for comfortable resting comfort
- Integrated cup holder for refreshments
- Available in 2 different colours
- 2 air chambers for more stability

158802EU



**Glossy Mat<sup>4</sup>**

- 183 x 69 cm (L x W)
- Vinyl, material thickness 0.20 mm
- 2 air chambers
- 3 different colours

159703EU



**Double Lounge Mat<sup>1</sup>**

- 198 x 160 cm (L x B)
- Vinyl, material thickness 0.32 mm
- Unique opposed design
- 2 standard size cup holders
- 2 built-in pillows for more comfort

156897EU



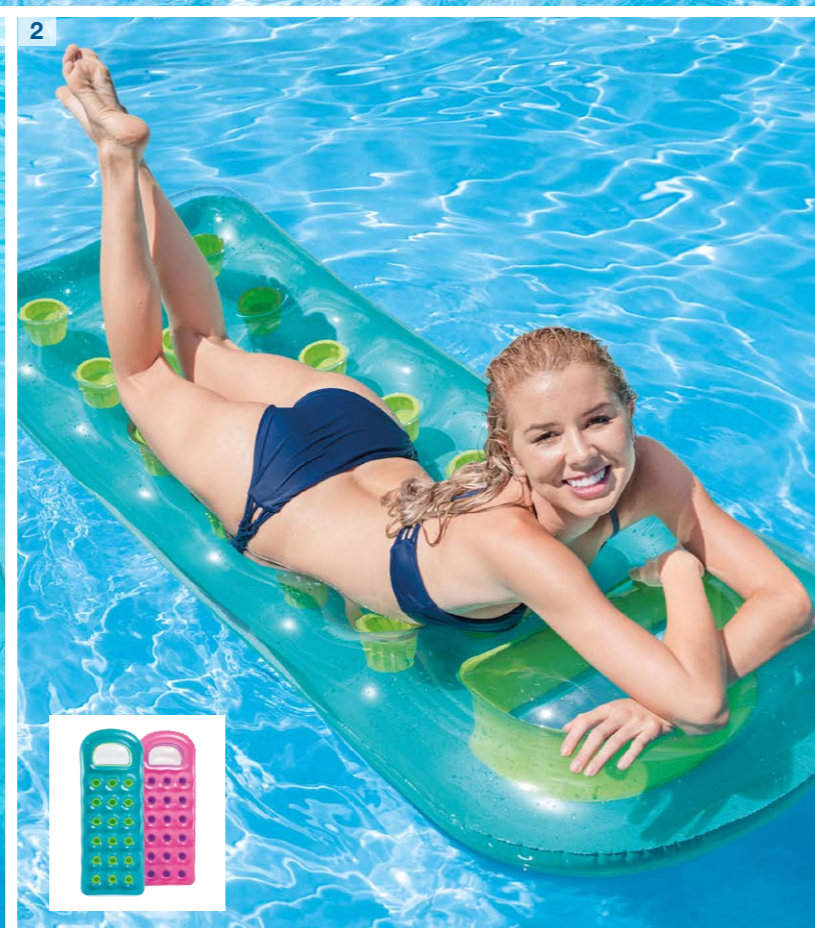
**Canopy Island Lounge**

- Ø 199 x 150 cm
- Vinyl, material thickness 0.45 mm
- Generously proportioned back rest for high comfort
- Detachable sun shade made of 100% polyester
- 2 integrated drink holders for refreshments
- 2 air chambers and an all-around grab rope for added safety

158292EU



1



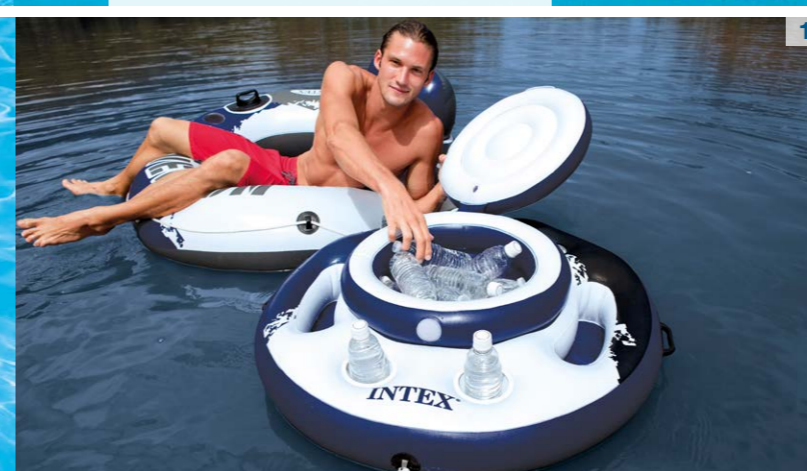
2



**18-Pocket Suntanner Mat<sup>2</sup>**

- 188 x 71 cm (L x W)
- Vinyl, material thickness 0,30 mm
- Integrated pillow for extra comfort
- 2 different colours

159895EU



1



2



3



4

**Rockin Lounge<sup>1</sup>**

- 188 x 99 cm (L x B)
- 1 cup holder
- 2 air chambers

158856EU

**Mega Chill drinks cooler<sup>1</sup>**

- Capacity up to 30 tins
- 5 drink holders
- 2 solid carrying handles
- Vinyl, material thickness 0.40 mm

156822NP

**Floating Recliner Lounger<sup>2</sup>**

- 180 x 135 cm (L x W)
- 2 cup holders
- 2 solid handles

158868EU

**Red River Run<sup>3</sup>**

- Ø 135 cm
- Vinyl, material thickness 0.45 mm
- Mesh bottom keeps you cool
- Built-in backrest for easy cruising
- 2 cup holders

156825EU

**River Run 1<sup>4</sup>**

- Ø 135 cm
- Vinyl, material thickness 0.45 mm
- Base with acrylic net for cooling
- Built-in backrest for easy cruising
- 2 air chambers and 2 heavy duty handles for more safety
- 2 cup holders for refreshments
- Easy-to-use connectors

158825EU



**Inflatabull™**

- 239 x 196 x 81 cm (L x W x H)
- Vinyl, material thickness 0.45 mm
- 3 air chambers
- 5 heavy duty handles
- Outer ring to ensure balance and safety
- The Inflatabull guarantees plenty of fun and action

156280EU



**Tropical Fish Rings**

- 94 x 80 cm (L x W)
- Available in 2 different colours
- Age 3+

159219NP



**Mushroom Baby Pool**

- Ø 102 x 89 cm
- Vinyl, material thickness 0.25 mm
- Water capacity at 13 cm wall height: 45 l
- Inflatable floor
- Age: 1-3+

157114NP



**Dinoland Play Centre<sup>2</sup>**

- 333 x 229 x 112 cm (L x W x H)
- Vinyl, material thickness 0.30 mm
- Capacity at 14 cm wall height: 290 l
- Cool dinosaur land design
- Spray function in conjunction with garden hose
- Drain valve on the floor for quick and easy draining
- Dinosaur ball and ring games
- Guarantees a lot of fun and action
- Age: 3+

157135NP



**Swim-Centre Family Lounger**

- 229 x 229 x 66 cm (L x W x H)
- Vinyl, material thickness 0.32 mm
- Capacity 36 cm of wall height: 990 l
- 4 built-in seats with backrests for lounging or supervising children
- 2 cup holders for refreshments
- Drain valve on the floor for quick and easy draining

156475NP



**Deluxe Baby Float Pool School, Step 1**

- 79 x 79 cm (L x W)
- Vinyl, material thickness 0.30 mm
- 4 air chambers
- Large square ring for stability
- Age: 1-2+

156587EU



**Beanbag Toss Game**

- Beanbag Toss Game
- 86 x 71 x 42 cm (L x W x H)
- Vinyl, material thickness 0.25 mm
- Includes 4 water filled toss bags
- Includes 2 anchor bags for stability
- For use in water or on grass

157503NP



**Pool volleyball game**

- 239 x 64 x 91 cm (L x W x H)
- Vinyl, material thickness 0.25 mm
- Incl. inflatable Volleyball
- Age: 6+

156508NP



**3-Ring Pool Crystal Blue Ø 168 cm**

- Ø 168 x 38 cm
- Vinyl, material thickness: rings 0.23 mm, floor 0.18 mm
- Water capacity at 29 cm wall height: 581 l
- Large play area in a cool 3-ring pool
- Resistant material provides sufficient stability
- Guarantees fun in the water
- Age 3+

158446NP



**3-Ring Pool Crystal Blue Ø 147 cm**

- Ø 147 x 33 cm
- Vinyl, material thickness: rings 0.20 mm, bottom 0.18 mm
- Water capacity at 23 cm wall height: 330 l
- A cool 3-ring pool
- Resistant material provides sufficient stability
- Guarantees fun in the water
- Age 3+

158426NP



NEW

**Swim Center™ Shootin' Hoops Family Pool**

- 257 x 188 x 135 cm (L x W x H)
- Vinyl, material thickness 0.33 mm
- Drain valve on the floor for quick and easy draining
- Integrated basketball hoop with matching ball
- Age 3+

157183NP



**Shootin' Hoops Set**

- Inflatable basketball set
- 104 x 97 x 208 cm (L x W x H)
- Base: 0.50 mm vinyl
- Backboard: 0.25 mm vinyl
- Ball: 0.38 mm vinyl
- 2 balls included
- Base chamber fills with water to anchor basketball hoop with backboard
- Perfect for indoors and outdoors

157502NP



**4-Ring Pool Sunset Glow**

- Ø 168 x 46 cm
- Vinyl, material thickness rings 0.23 mm, bottom 0.18 mm
- Water capacity at 37 cm wall height: 617 l
- Drain valve on the floor for quick and easy draining
- Age: 3+

156441NP



**Clearview Aquarium Pool**

- 159 x 159 x 50 cm (L x W x H)
- Vinyl, material thickness 0.30 mm
- Water capacity at 28 cm wall height: 340 l
- Drain valve on the floor for quick and easy draining
- Age: 3+

157471NP



**Summer Colors Pool**

- 185 x 180 x 53 cm (L x W x H)
- Vinyl, material thickness 0.30 mm
- Capacity 36 cm of wall height: 460 l
- Drain valve on the floor for quick and easy
- Age: 3+

156495NP



**Play centres<sup>4</sup>**

- 201 x 196 x 91 cm (L x W x H)
- Vinyl, material thickness 0.28 mm
- Water capacity at 18 cm wall height: 200 l
- Children's pool in a cool whale design
- Water sprayer with garden hose connection
- Drain valve at the bottom for quick and easy draining
- Guarantees lots of fun and action
- Age 2+

157440NP



**Swim centre Family Pool**

- 262 x 175 x 56 cm (L x W x H)
- Vinyl, material thickness 0.30 mm
- Capacity 36 cm of wall height: 770 l
- Combo valve
- Age: 6+

156483NP



Cover (158412NP) optional see page 115



**Sun Shade Pool**

- 157 x 157 x 122 cm (L x W x H)
- Vinyl, material thickness 0.25 mm
- Capacity 22 cm of wall height: 295 l
- Removable sun shade
- Drain valve on the floor for quick and easy draining
- Age: 3+

157470NP



**Happy Otter Pool**

- 191 x 178 x 61 cm (L x W x H)
- Vinyl, material thickness 0.30 mm
- Water capacity at 41 cm of wall height: 510 l
- Drain valve on the floor for quick and easy draining
- Inflatable floor
- Age: 6+

156493NP



**Play Box Pool**

- 85 x 85 x 23 cm (L x B x H)
- Vinyl, material thickness 0.25 mm
- Capacity at 17 cm wall height: 57 l
- Inflatable floor
- Age 1-3

157100NP



**Frame Pool Mini - Blue**

- 122 x 122 x 30 cm (L x B x H)
- Foil thickness: floor 0.25 mm, wall 0.50 mm
- Water content at 24 cm, wall height: 337 l
- Emptying valve
- Age 2+

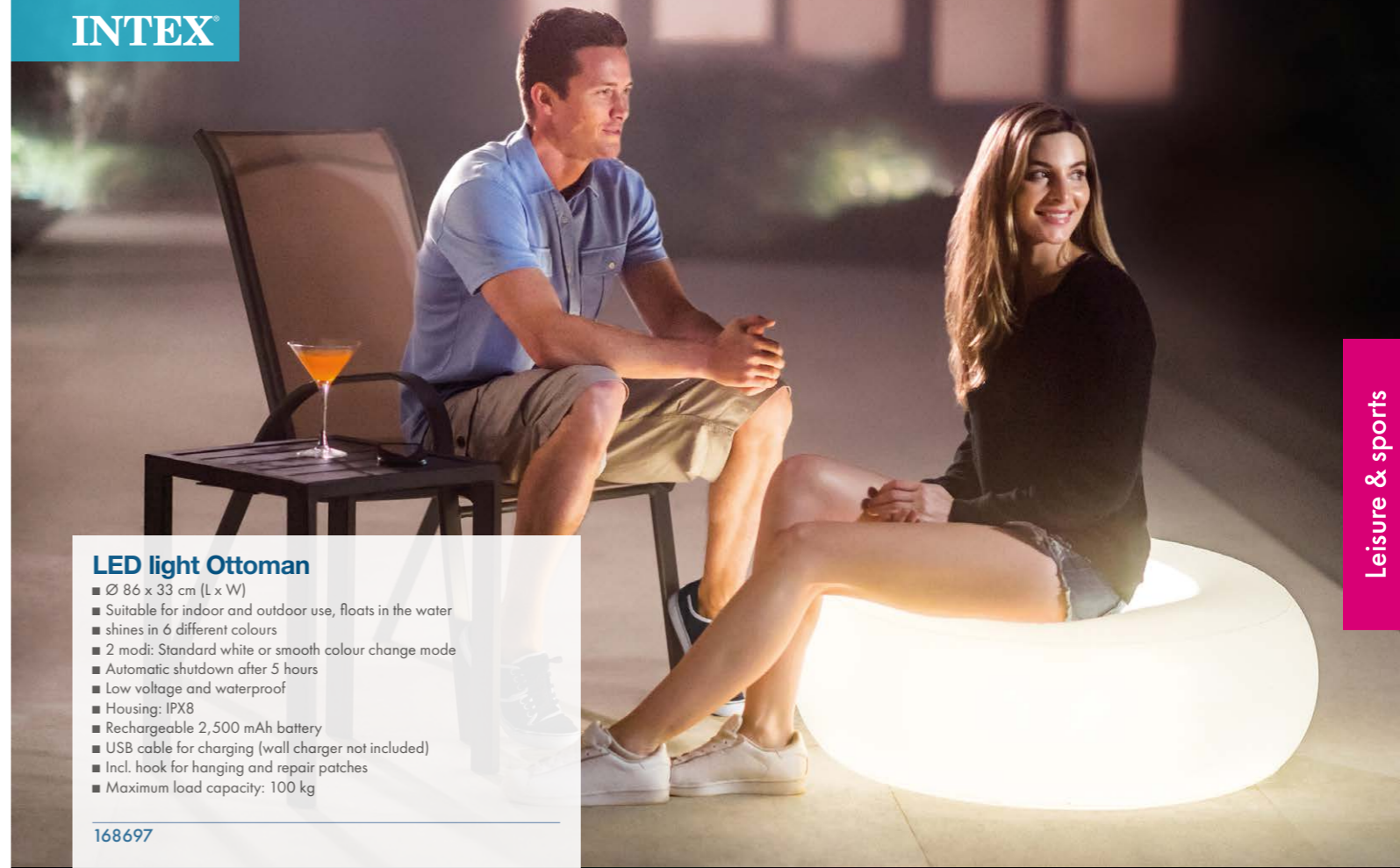
157173NP



**Glitter Mini Pool**

- 86 x 25 cm
- Vinyl, material thickness: wall 0.20 mm, floor 0.18 mm
- Capacity 15 cm of wall height: 56 l
- Soft, inflatable floor for more comfort
- Age: 1-3

157103NP



**LED light Ottoman**

- Ø 86 x 33 cm (L x W)
- Suitable for indoor and outdoor use, floats in the water
- shines in 6 different colours
- 2 modi: Standard white or smooth colour change mode
- Automatic shutdown after 5 hours
- Low voltage and waterproof
- Housing: IPX8
- Rechargeable 2,500 mAh battery
- USB cable for charging (wall charger not included)
- Incl. hook for hanging and repair patches
- Maximum load capacity: 100 kg

168697



Leisure & sports



**Beanless Bag Chair**

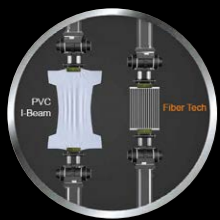
- 107 x 104 x 69 cm (L x W x H)
- Quality proved, water resistant, flocked top and side panel
- Available in green and yellow
- Can be folded to save space

168569NP



# Airbed

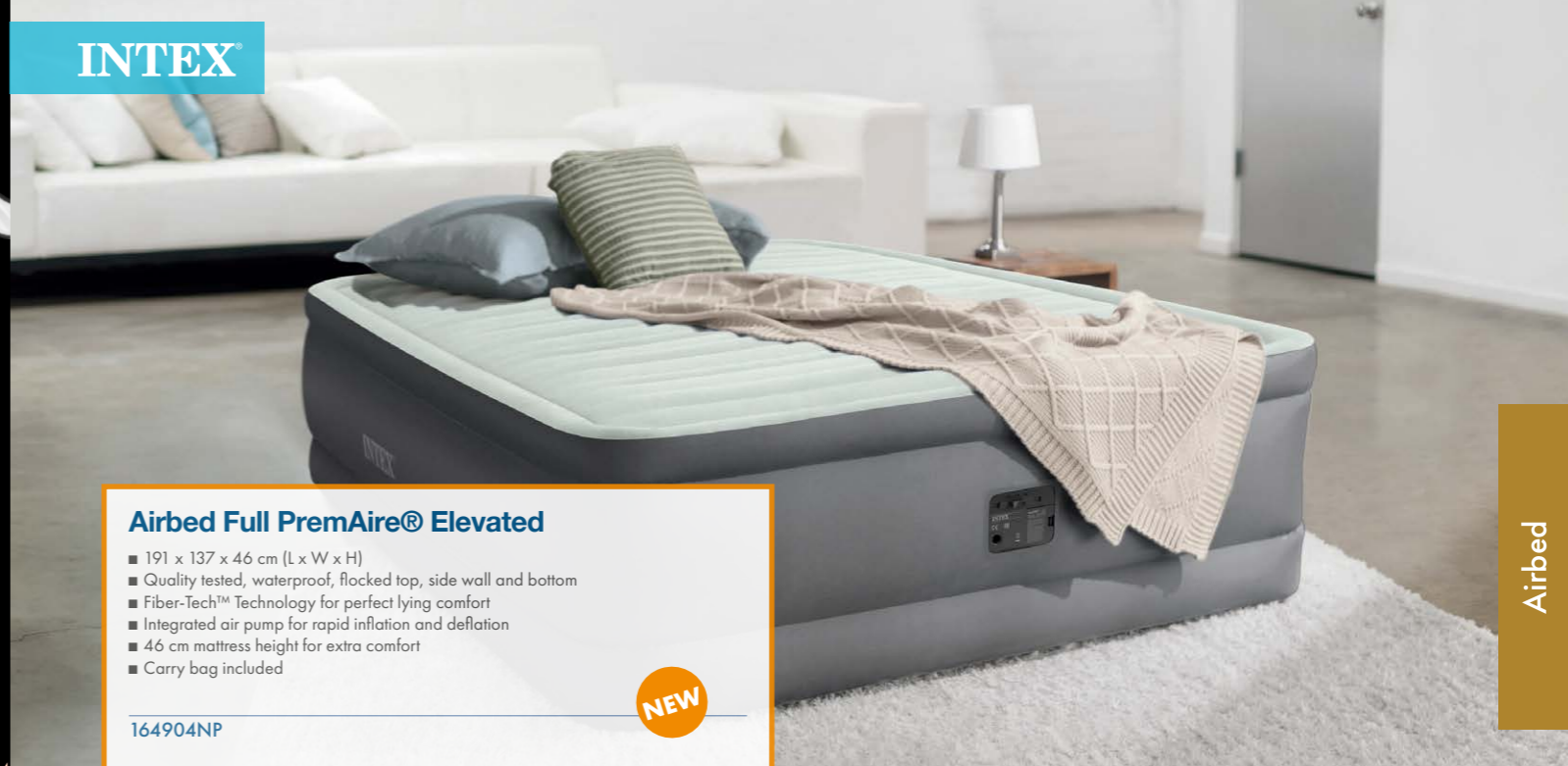




# FIBER-TECH™ TECHNOLOGY

An incredible night's sleep starts with a single thread! Fibe-Tech™ allows for a totally comfortable and restful sleep.

Normally, the interior construction of an airbed is made of conventional vinyl material. Vinyl can permanently deform and overstretch. The new Fiber-Tech™ technology consists of thousands of extremely strong fibers. Polyester fibers do not stretch over time, offering incredible durability. This new interior structure contours to your body shape, providing unmatched firmness and support.



Airbed

### Airbed Full PremAire® Elevated

- 191 x 137 x 46 cm (L x W x H)
- Quality tested, waterproof, flocked top, side wall and bottom
- Fiber-Tech™ Technology for perfect lying comfort
- Integrated air pump for rapid inflation and deflation
- 46 cm mattress height for extra comfort
- Carry bag included

164904NP

NEW



### Deluxe Pillow Rest Raised Twin 230 V

- 191 x 99 x 42 cm (L x W x H)
- Fiber-Tech™ Technology for perfect lying comfort
- Quality-tested, flocked top side
- Vinyl side wall and base
- Integrated electric air pump
- Comfortable mattress height of 42 cm
- Folds up easily for storage and when travelling
- Built-in padding makes it very comfortable to lie on
- Carry bag included

164132NP

NEW



### Airbed Deluxe Pillow Rest Raised Queen 230 V

- 203 x 152 x 42 cm (L x W x H)
- Integrated electric air pump
- Fiber-Tech™ Technology for perfect lying comfort
- Quality tested, waterproof, flocked top side
- Vinyl side panel and base
- Comfortable mattress height of 42 cm
- Built-in upholstery offers pleasant lying comfort
- Maximum load capacity 273 kg
- Carry bag included

164136NP

NEW



### Airbed Deluxe Single High

- 203 x 152 x 25 cm (L x W x H)
- Fiber-Tech™ technology for superior reclining comfort
- 2 in 1 valve with extra wide openings for rapid inflation and deflation
- 25 cm mattress height for extra comfort
- Folds up easily for storage and when travelling

164783 Single High Queen 203x152x25 cm

164781 Single-High Twin 191x99x25 cm

NEW



### Airbed Pillow Rest Raised Queen

- 203 x 152 x 42 cm (L x W x H)
- Integrated electric air pump
- Fiber-Tech™ technology for superior reclining comfort
- Quality-tested, flocked upper side
- Vinyl side wall and base
- Comfortable mattress height of 42 cm
- Built-in padding makes it very comfortable to lie on
- Maximum load capacity 273 kg
- Carry bag included

164124NP

NEW



### Airbed High Rise Dura-Beam Series Queen

- 203 x 152 x 56 cm (L x W x H)
- Fiber-Tech™ Technology for perfect sleeping comfort
- Quality tested, waterproof, flocked top and side panel
- Vinyl bottom
- Integrated electric air pump
- 56 cm mattress height for extra comfort (Depending on the model)
- Easy to fold for storage and travel
- Carry bag included

164418NP

NEW



### Airbed PremAire® ThermoLux™ Queen

- 203 x 152 x 51 cm (L x W x H)
- Top made of breathable polyester material
- Fiber-Tech™ Technology for perfect lying comfort
- 2-in-1 valve for rapid inflation and deflation with manual pump
- 51 cm mattress height for extra comfort
- Easy to fold for storage and travel
- Maximum load capacity 273 kg
- Carry bag included

164478NP

NEW



**Airbed PremAire® Twin 230 V**

- 191 x 99 x 46 cm (L x W x H)
- Quality-tested, watertight, flocked upper and side walls with a vinyl bottom
- Fiber-Tech™ technology for perfect comfort
- Integrated electric pump
- 46 cm mattress height for extra comfort
- Folds up easily for storage and when travelling
- Carry bag included

164472



**Air pump Quick-Fill 230V**

- For outdoor use
- 3 different nozzle attachments
- Thermo protection provides safety
- For inflating and deflating
- Max. air volume 760 l/min
- Max. pressure 0.52 psi

166640

Airbed



**Airbed Queen Mid-Rise 230 V**

- 203 x 152 x 30 cm (L x W x H)
- Fiber-Tech™ Technology for perfect comfort
- Quality-tested, flocked upper side, vinyl side wall and bottom
- Integrated electric air pump
- Built-in padding makes it very comfortable to lie on
- Folds up easily for storage and when travelling
- Carry bag included

164118



**Airbed Comfort-Plush Twin 230 V**

- Fiber-Tech™ Technology for perfect sleeping comfort
- Quality tested, waterproof, flocked top and side panel
- Vinyl bottom
- Integrated electric air pump
- 46/56 cm mattress height for extra comfort (Depending on the model)
- Easy to fold for storage and when travelling
- Airbed Comfort-Plush Twin 230 V, 191 x 99 x 46 cm (L x W x H)
- Carry bag included

164412NP Airbed Comfort-Plush Twin 230 V 230 V, 191 x 99 x 46 cm (L x W x H)

164414 Airbed Comfort-Plush Queen 230 V 230 V, 203 x 152 x 46 cm (L x W x H)



**Air pump Quick-Fill 12V**

- For outdoor use
- 3 different nozzle attachments
- For inflating and deflating
- Plug into automobile cigarette lighter
- Max. air volume 870 l/min
- Max. pressure 0.60 psi

166636



**Quick Fill air pump 12 V**

- For outdoor use
- 3 different nozzle attachments
- For quick inflation and deflation
- Connection 12 V cigarette lighter
- Max. Air volume 600 l/min.
- Maximum pressure 0.46 psi.

166626



**Air pump Quick Fill 230/12 V**

- For indoor/outdoor use
- 230 V or plug into cigarette lighter
- 2 speed levels
- Max. speed 12 psi
- Max. volume 400 l/min.

168609

**NEW**



**Airbed Pillow Rest Raised Twin 230 V**

- Fiber-Tech™ technology for superior reclining comfort
- Quality-tested, flocked upper side
- Vinyl side wall and bottom
- Integrated electric air pump
- Comfortable mattress height of 42 cm
- Folds up easily for storage and when travelling
- Built-in padding makes it very comfortable to lie on
- Carry bag included

164122NP Airbed Pillow Rest Raised Twin 230 V 191 x 99 x 42 cm (L x W x H)



The set includes:  
2 pillows,  
1 air pump Set

**Airbed Classic Downy Blue Dura-Beam Serie King**

- Quality-tested, waterproofed, flocked upper side
- Fiber-Tech™ technology for perfect comfort
- Large, integrated 2-in-1 valve for rapid inflation and deflation
- Comfortable mattress height of 25 cm
- Vinyl side wall and bottom
- Can be folded to save space

164755 Air bed Classic Downy Blue Dura-Beam Serie King 203 x 183 x 25 cm (L x B x H)

164756 Airbed Classic Downy Blue Dura-Beam Serie Cot Size 191 x 76 x 25 cm (L x B x H)

164757 Air bed Classic Downy Blue Dura-Beam Serie Twin 191 x 99 x 25 cm (L x B x H)

164758 Air bed Classic Downy Blue Dura-Beam Serie Full 191 x 137 x 25 cm (L x B x H)

164759 Air bed Classic Downy Blue Dura-Beam Serie Queen 203 x 152 x 25 cm (L x B x H)

164765 Airbed Classic Downy Blue Dura-Beam Serie Queen Set 203 x 152 x 25 cm (L x B x H)



**High performance hand pump**

- 48 cm
- 4 nozzles
- Valve for inflating and deflating
- Accordion hose
- Inflates up to 8 psi, max. air volume 4.39 l

168615



**Foot pump Giant**

- 30.5 cm
- 3 nozzles
- Inflates and deflates
- Air hose
- Max. air volume 2.77 l

168610



**Air pumps**

- Size: 29 cm

169613



 **Steinbach**

Steinbach International GmbH  
Aistinger Straße 2  
4311 Schwertberg, Austria

**[steinbach-group.com](http://steinbach-group.com)**