

IMPORTANT SAFETY RULES

Please read, understand, and follow all instructions carefully before installing and using this product. Keep for future reference.

Model SF80220RC-1

220-240 V~, 50 Hz, 250 W, Hmax 5 m Hmin 0.19 m IPX4

Model SF70220RC-1

220-240 V~, 50 Hz, 450 W, Hmax 7.5 m Hmin 0.19 m IPX4

Model SF60220RC-1

220-240 V~, 50 Hz, 550 W, Hmax 7.5 m Hmin 0.19 m IPX4

MAX. WATER TEMPERATURE 35°C



For illustrative purposes only.

Don't forget to try these other fine Intex products: pools, pool accessories, inflatable pools and in-home toys, airbeds and boats available at fine retailers or visit our website.

Due to a policy of continuous product improvement, Intex reserves the right to change specifications and appearance, which may result in updates to the instruction manual without notice.

INTEX® ©2017 Intex Marketing Ltd. - Intex Development Co. Ltd. - Intex Trading Ltd. - Intex Recreation Corp.
All rights reserved/Tous droits réservés/Todos los derechos reservados/Alle Rechte vorbehalten. Printed in China/Imprimé en Chine/Impreso en China/Gedruckt in China.

®™ Trademarks used in some countries of the world under license from®™ Marques utilisées dans certains pays sous licence de/Marcas registradas utilizadas en algunos países del mundo bajo licencia de/Warenzeichen verwendet in einigen Ländern der Welt in Lizenz von/Intex Marketing Ltd. to/à/a/an Intex Trading Ltd., Intex Development Co. Ltd., G.P.O. Box 28829, Hong Kong & Intex Recreation Corp., P.O. Box 1440, Long Beach, CA 90801 • Distributed in the European Union by/Distribué dans l'Union Européenne par/Distribuido en la unión Europea por/Vertrieb in der Europäischen Union durch/Intex Trading B.V., Venneveld 9, 4705 RR Roosendaal – The Netherlands
www.intexcorp.com

TABLE OF CONTENTS

| | |
|--|--------------|
| Warnings..... | 3 |
| Parts References..... | 4-5 |
| Setup Instructions | 6-13 |
| Product Specifications..... | 8 |
| Operating Instructions | 14-16 |
| Intex Pools Operating Time Table..... | 17 |
| Non-Intex Pools Operating Time Table..... | 18 |
| Maintenance..... | 19 |
| Long Term Storage..... | 20 |
| Troubleshooting Guide..... | 21 |
| Common Pool Problems..... | 22 |
| General Aquatic Safety..... | 22 |
| Limited Warranty..... | 23 |

IMPORTANT SAFETY RULES

Read, Understand and Follow All Instructions Carefully Before Installing and Using this Product.

READ AND FOLLOW ALL INSTRUCTIONS

WARNING

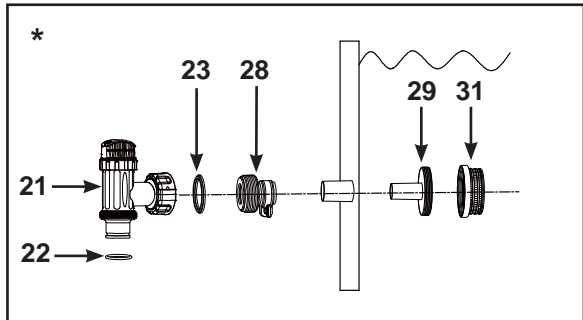
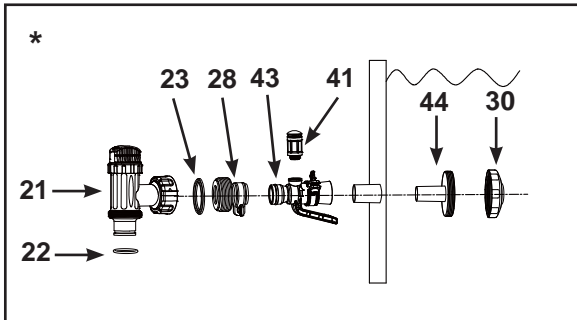
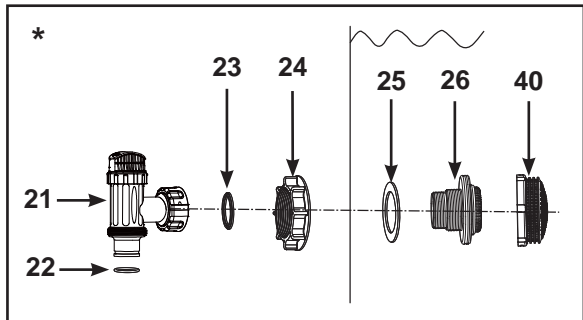
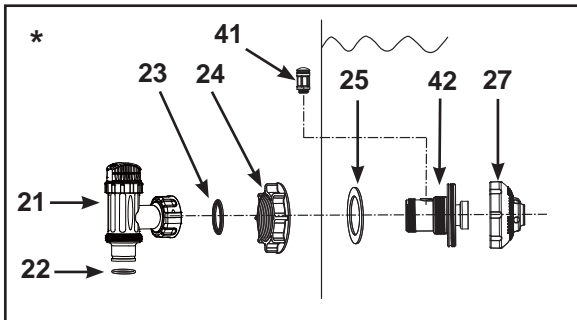
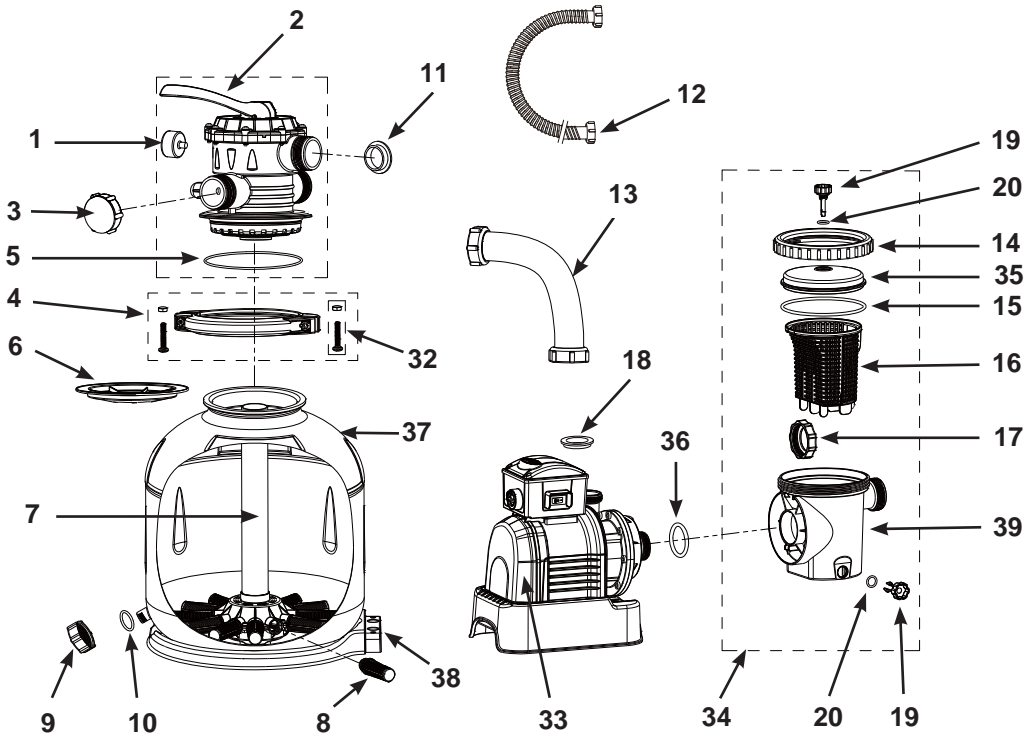
- Always supervise children and those with disabilities.
- Children must stay away from this product and electrical cord(s).
- Children shall not play with the appliance. Cleaning and user maintenance shall not be made by children without supervision.
- This appliance can be used by children aged from 8 years and above and persons with reduced physical, sensory or mental capabilities or lack of experience and knowledge if they have been given supervision or instruction concerning use of the appliance in a safe way and understand the hazards involved.
- Assembly and disassembly by adults only. Cleaning and user maintenance must be performed by an adult above 18 years old who is familiar with the risk of electric shock.
- Risk of electric shock. Connect this product only to a grounding type receptacle protected by a ground-fault circuit interrupter (GFCI) or residual current device (RCD). Contact a qualified electrician if you cannot verify that the receptacle is protected by a GFCI/RCD. Use a qualified electrician to install the GFCI/RCD, which has a maximum rate of 30mA.
- Always unplug this product from the electrical outlet before removing, cleaning, servicing or making any adjustment to the product.
- Always unplug the appliance on raining days or if leave it for long time (such as going out for holidays).
- The plug must be accessible after product is installed.
- Do not bury the electrical cord. Locate the cord where it will not be damaged by lawn mowers, hedge trimmers and other equipment.
- If the supply cord is damaged, it must be replaced by the manufacturer, its service agent or similarly qualified persons in order to avoid a hazard.
- To reduce the risk of electric shock, do not use extension cords, timers, plug adaptors or converter plugs to connect unit to electric supply; provide a properly located outlet.
- Do not attempt to plug in or unplug this product while standing in water or when your hands are wet.
- Keep this product more than 3.5m away from the pool.
- Keep the plug of this product more than 4m away from the pool and at a height of 1.2m at least.
- Position this product away from the pool, so as to prevent children from climbing on it and accessing the pool.
- Do not operate this product when pool is occupied.
- This product is for use with storable pools only. Do not use with permanently installed pools. A storable pool is constructed so that it may be readily disassembled for storage and reassembled to its original configuration.
- To reduce the risk of entrapment hazard, never enter the pool if suction strainer component is loose, broken, cracked, damaged or missing. Replace loose, broken, damaged, cracked or missing suction strainer components immediately.
- Never play or swim near suction fittings. Your body or hair may be trapped causing permanent injury or drowning.
- To prevent equipment damage and risk of injury, always turn pump off before changing the filter control valve position.
- Never operate this product above the maximum working pressure stated on the filter tank.
- Hazardous Pressure. Improper tank valve cover assembly could cause the valve cover to blow off and cause serious injury, property damage or death.
- This product is intended to be used only for the purposes described in the manual!

FAILURE TO FOLLOW THESE WARNINGS MAY RESULT IN PROPERTY DAMAGE, ELECTRIC SHOCK, ENTANGLEMENT OR OTHER SERIOUS INJURY OR DEATH.

These product warnings, instructions and safety rules provided with the product represent some common risks of water recreation devices and do not cover all instances of risk and danger. Please use common sense and good judgement when enjoying any water activity.

PARTS REFERENCE

Before assembling your product, please take a few minutes to check the contents and become familiar with all the parts.



" * ": Optional.

NOTE: Drawings for illustration purpose only. Actual product may vary. Not to scale.

SAVE THESE INSTRUCTIONS

| REF. NO. | DESCRIPTION | QTY. | SPARE PART NO. | | |
|----------|--|------|----------------|-------------|-------------|
| | | | SF80220RC-1 | SF70220RC-1 | SF60220RC-1 |
| 1 | PRESSURE GAUGE | 1 | 11411 | 11224 | 11224 |
| 2 | 6-WAY VALVE | 1 | 11378 | 11496 | 11496 |
| 3 | DRAIN OUTLET COVER | 1 | 11131 | 11131 | 11131 |
| 4 | CLAMP | 1 | 11380 | 11380 | 11380 |
| 5 | TANK O-RING | 1 | 11379 | 11379 | 11379 |
| 6 | SAND SHIELD | 1 | 11382 | 11382 | 11382 |
| 7 | CENTER PIPE HUB | 1 | 11815 | 11813 | 11814 |
| 8 | LATERAL | 10 | 11484 | - | - |
| | | 12 | - | 11384 | 11384 |
| 9 | DRAIN VALVE CAP | 1 | 11456 | 11456 | 11456 |
| 10 | DRAIN VALVE O-RING | 1 | 11385 | 11385 | 11385 |
| 11 | L-SHAPE O-RING | 4 | 11228 | 11228 | 11228 |
| 12 | HOSE WITH NUTS | 2 | 11769 | 11769 | 11769 |
| 13 | SAND FILTER INTERCONNECTING HOSE | 1 | 11820 | 11388 | 11535 |
| 14 | LEAF TRAP NUT | 1 | 11822 | 11479 | 11479 |
| 15 | LEAF TRAP O-RING | 1 | 11824 | 11232 | 11232 |
| 16 | BASKET | 1 | 11821 | 11260 | 11260 |
| 17 | FILTER HOUSING NUT | 1 | 11261 | 11261 | 11261 |
| 18 | L-SHAPE O-RING | 1 | 11412 | 11412 | 11412 |
| 19 | AIR RELEASE VALVE/SEDIMENT RELEASE VALVE | 2 | 10460 | 10460 | 10460 |
| 20 | VALVE O-RING | 2 | 10264 | 10264 | 10264 |
| 21* | PLUNGER VALVE (HOSE O-RING & STEP WASHER INCLUDED) | 2 | 10747 | 10747 | 10747 |
| 22* | HOSE O-RING | 2 | 10262 | 10262 | 10262 |
| 23* | STEP WASHER | 2 | 10745 | 10745 | 10745 |
| 24* | STRAINER NUT | 2 | 10256 | 10256 | 10256 |
| 25* | FLAT STRAINER RUBBER WASHER | 2 | 10255 | 10255 | 10255 |
| 26* | THREADED STRAINER CONNECTOR | 1 | 11235 | 11235 | 11235 |
| 27 | ADJUSTABLE POOL INLET JET NOZZLE | 1 | 12369 | 12369 | 12369 |
| 28* | ADAPTOR B | 2 | 10722 | 10722 | 10722 |
| 29* | STRAINER CONNECTOR | 1 | 11070 | 11070 | 11070 |
| 30* | POOL INLET JET NOZZLE | 1 | 12364 | 12364 | 12364 |
| 31* | STRAINER GRID | 1 | 12197 | 12197 | 12197 |
| 32 | SCREW | 2 | 11381 | 11381 | 11381 |
| 33 | PUMP MOTOR & CONTROL | 1 | 12492GS | 12488GS | 12490GS |
| 34 | PRE-FILTER ASSEMBLY | 1 | 11826 | 11371 | 11371 |
| 35 | LEAF TRAP COVER | 1 | 11823 | 11480 | 11480 |
| 36 | SAND FILTER PUMP MOTOR INLET O-RING | 2 | 11457 | 11457 | 11457 |
| 37 | SAND FILTER PUMP TANK | 1 | 11804 | 11802 | 11803 |
| 38 | SAND FILTER PUMP TANK BASE | 1 | 11816 | 11800 | 11801 |
| 39 | PRE-FILTER HOUSING | 1 | 12100 | 12099 | 12099 |
| 40* | STRAINER GRID | 1 | 12198 | 12198 | 12198 |
| 41* | AIR JET VALVE | 1 | 12363 | 12363 | 12363 |
| 42* | INLET THREADED AIR CONNECTOR | 1 | 12371 | 12372 | 12372 |
| 43* | POOL INLET AIR ADAPTOR | 1 | 12368 | 12368 | 12368 |
| 44* | INLET STRAINER CONNECTOR | 1 | 12365 | 12365 | 12365 |
| 45* | AIR JET VALVE CAP (NOT SHOWN) | 1 | 12373 | 12373 | 12373 |

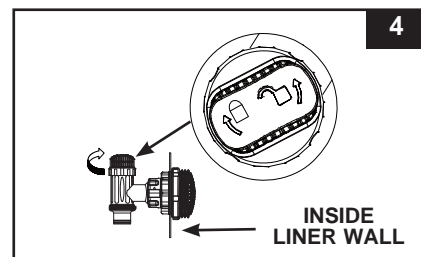
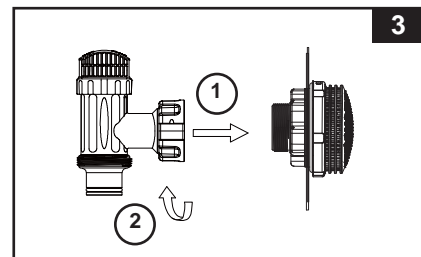
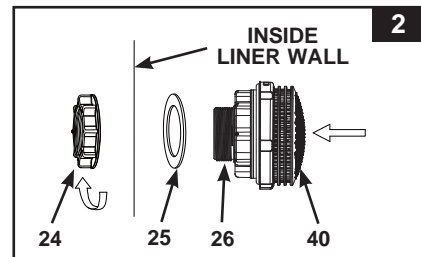
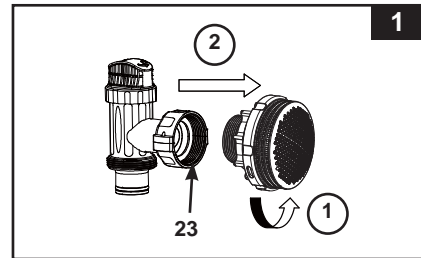
" * ": Optional.

When ordering parts, be sure to quote the model number and part numbers.

POOL OUTLET - STRAINER & PLUNGER VALVE SETUP (optional)

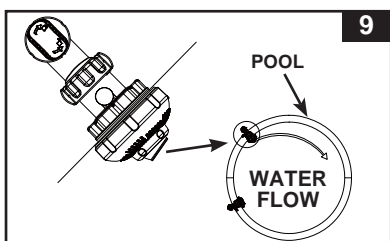
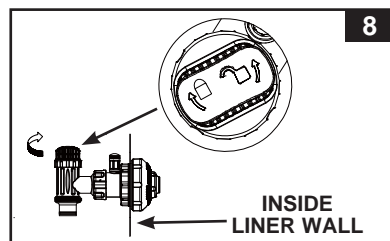
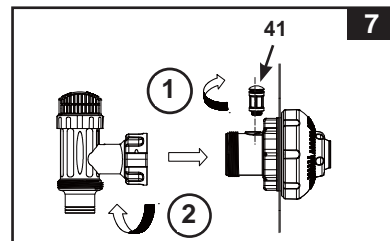
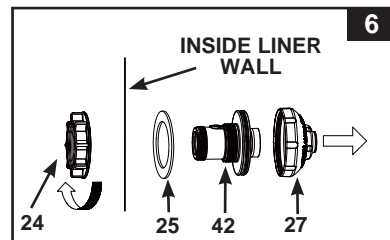
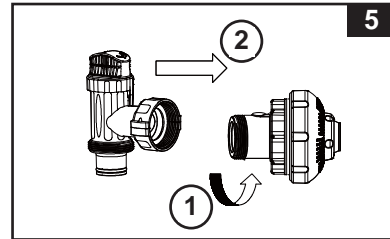
The strainer grid prevents large objects from jamming and/or damaging the filter pump. If your pool has an inflatable top ring, install the strainer, nozzle and plunger valve before inflating the pool liner top ring. The part numbers here onward refer to the parts depicted in the Parts List section of this manual. To install, do the following:

1. In a counter-clockwise motion unscrew plunger valve union from the threaded strainer connector (26) (see drawing 1). Be careful not to lose the step rubber washer (23). Place the plunger valve on the ground in a safe place.
2. In a counter-clockwise motion unscrew the strainer nut (24) from the threaded connector (26). Leave the flat washer (25) on the connector (26).
3. Install the strainer and plunger valve at the lower position of pool outlet (marked "+"). From the inside of the pool liner insert the connector (26) into one of the pre-cut holes with the washer remaining on the connector to be placed against the inside of the liner wall.
4. Before assembly, lubricate the threads with a petroleum jelly. With the flat side of the strainer nut (24) facing the outside wall of the liner in a clockwise motion screw the strainer nut (24) back onto the threaded connector (26) (see drawing 2).
5. Finger tighten the strainer nut (24) onto the threaded connector (26).
6. Grasp the plunger valve assembly. Make sure the step washer (23) is in place.
7. In a clockwise motion screw the plunger valve union back onto the threaded connector (26) (see drawing 3).
8. In a clockwise motion turn the plunger valve handle to close position. Ensure the plunger valve is securely closed. This will prevent water from flowing out during filling of the pool (see drawing 4).



POOL INLET - NOZZLE & PLUNGER VALVE SETUP (optional)

1. In a counter-clockwise motion unscrew plunger valve union from the inlet threaded air connector (42) (see drawing 5). Be careful not to lose the step rubber washer (23). Place the plunger valve on the ground in a safe place.
2. In a counter-clockwise motion unscrew the strainer nut (24) from the inlet threaded air connector (42). Leave the flat washer (25) on the connector (42).
3. Install the nozzle and plunger valve at the upper position of pool inlet. From the inside of the pool liner insert the nozzle union (27 & 42) into one of the pre-cut holes with the washer remaining on the connector to be placed against the inside of the liner wall.
4. Before assembly, lubricate the threads with a petroleum jelly. Then, with the flat side of the strainer nut (24) facing the outside wall of the liner in a clockwise motion screw the strainer nut (24) back onto the inlet threaded air connector (42) (see drawing 6).
5. Finger tighten the adjustable pool inlet jet nozzle (27) and the strainer nut (24) onto the inlet threaded air connector (42).
6. Grasp the plunger valve assembly. Make sure the step washer (23) is in place.
7. Screw the air jet valve (41) over the inlet threaded air connector (42). **NOTE:** Make sure the air jet valve is securely tighten and facing up. In a clockwise motion screw the plunger valve union back onto the inlet threaded air connector (42) (see drawing 7).
8. In a clockwise motion turn the plunger valve handle to close position. Ensure the plunger valve is securely closed. This will prevent water from flowing out during filling of the pool (see drawing 8).
9. Adjust the direction of nozzle head pointing away from the pool outlet for a better circulation result (see drawing 9).
10. The pool liner is now ready to fill with water. Consult the above-ground-pool owner's manual for filling instructions.



PRODUCT SPECIFICATIONS

The sand filter removes suspended particles but does not sanitize your pool. Pool chemistry is a specialized area and you should consult your local pool service specialist for details.

| | | | |
|---|---|--|---|
| Model: | SF80220RC-1 | SF70220RC-1 | SF60220RC-1 |
| Power: | 220-240 Volt AC | 220-240 Volt AC | 220-240 Volt AC |
| Wattage: | 250 W | 450 W | 550 W |
| Maximum working pressure: | 2 bar (30 psi) | 2 bar (30 psi) | 2 bar (30 psi) |
| Effective filtering area: | 0.07 m ² (0.79 ft ²) | 0.1 m ² (1.07 ft ²) | 0.13 m ² (1.44 ft ²) |
| Pump flow rate (at pump outlet): | 7.9 m ³ /h (2100 GPH) | 10.5 m ³ /h (2800 GPH) | 12 m ³ /h (3200 GPH) |
| Recommended filtering media quantity: | No. 20 silica sand 23 Kg (50 Lbs) or glass sand 16 Kg (35 Lbs). | No. 20 silica sand 35 Kg (77 Lbs) or glass sand 25 Kg (55 Lbs). | No. 20 silica sand 55 Kg (120 Lbs) or glass sand 38 Kg (85 Lbs). |
| Recommended filtering media (Not included): | No. 20 silica sand or glass sand. Particle size range 0.45 to 0.85 mm (0.018 to 0.033 inches). Uniformity Coefficient less than 1.75. | | |
| Limited Warranty: | see "Limited Warranty" | | |

NOTE: NOT SUITABLE FOR USE WITH KCP-LOW -SALT AUTOMATIC SALTWATER SYSTEM (MODEL 6110/6220).

SETUP INSTRUCTIONS

TOOLS REQUIRED: One (1) Phillips screwdriver

Pump location and mounting:

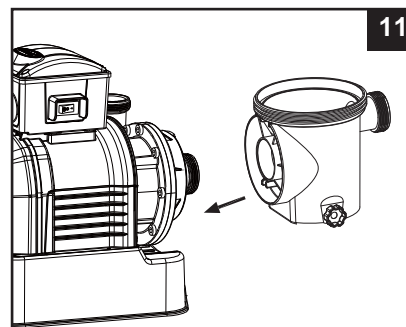
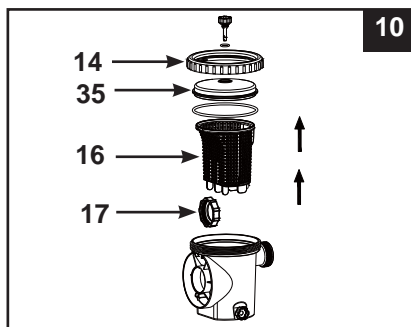
- The system must be installed on a solid level and vibration-free base.
- Provide a location protected from the weather, moisture, flooding and freezing temperature.
- Provide adequate access, space and lighting for routine maintenance.
- Pump motor requires free circulation of air for cooling. Do not install the pump in a damp or non-ventilated location.

A team of 2 or more people is recommended for setting up this product.

The appliance is intended only for household use.

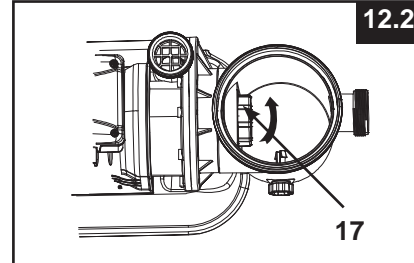
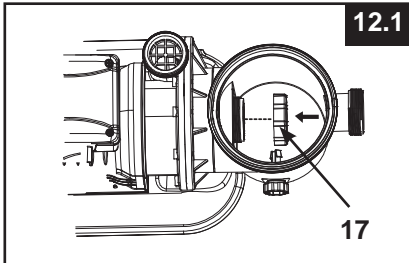
Motor pre-filtering assembly setup:

1. Remove the sand filter and its accessories from the packaging carefully and inspect for any visible damage.
2. In a counter-clockwise motion unscrew the leaf trap cover (14) from the pre-filter housing. Take out the basket (16) and filter housing nut (17) (see drawing 10).
3. Connect the pre-filter housing to the motor water inlet. Note: Align the connector in the pre-filter housing with the water inlet on the motor (see drawing 11).

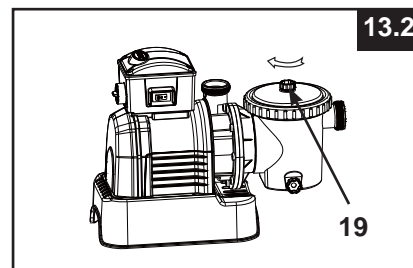
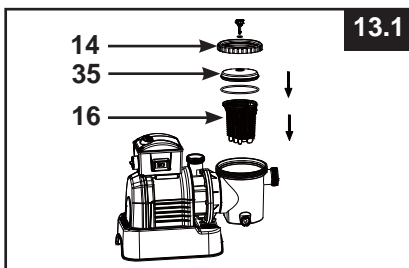


SETUP INSTRUCTIONS (continued)

4. In a clockwise motion screw filter housing nut (17) onto the motor water inlet (see drawings 12.1 & 12.2).



5. Replace the basket (16) and leaf trap cover (14) back to the pre-filter housing (see drawings 13.1 & 13.2).



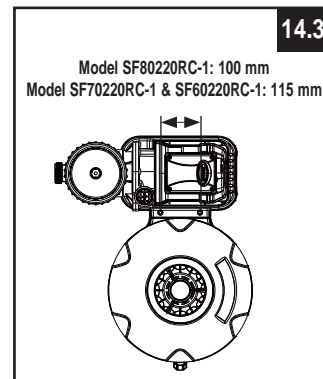
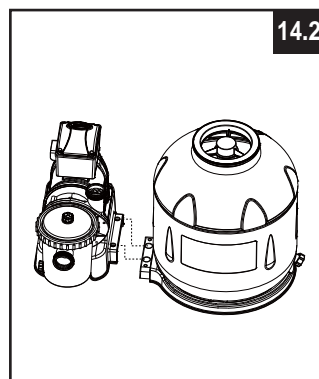
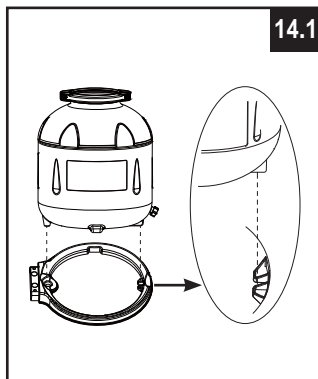
Sand tank installation:

1. Place the tank support base at the selected location.
 2. Place the tank on the tank support base (see drawing 14.1).
 3. Connect the motor pre-filtering assembly unit to the tank support base (see drawing 14.2).
- NOTE: Ensure the pre-filter housing water inlet hose connection is facing towards the pool.
IMPORTANT: Some countries, especially in the European community, require the product to be secured to the ground or to a base in a permanent upright position. Check your local authorities to determine if there is a regulation in your area regarding above-the-ground swimming pool filter-pumps. If yes, then the product can be mounted to a platform using the two holes located in the base.

See drawing 14.3.

The product can be mounted on a cement base or onto a wooden plat form to prevent accidental falling over.

- The mounting holes are 6.4 mm in diameter and spaced 100 mm for model SF80220RC-1 (spaced 115 mm for model SF70220RC-1 & SF60220RC-1) apart.
- Use two bolts and lock nuts with a maximum of 6.4 mm in diameter.



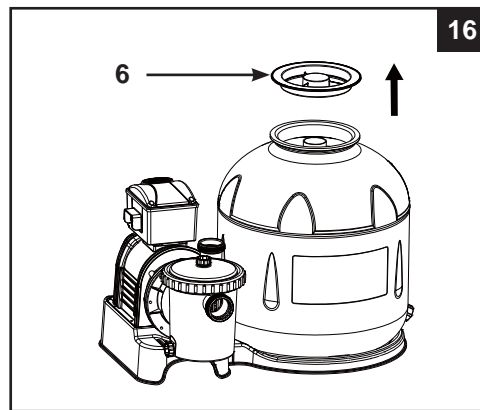
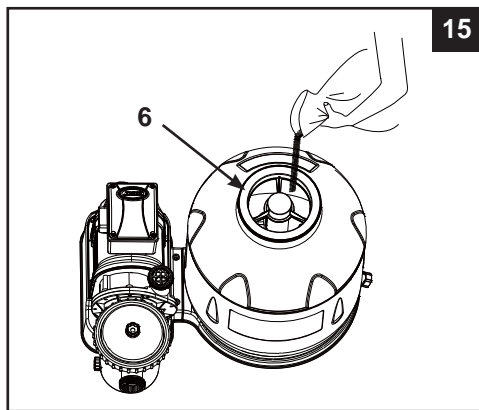
SETUP INSTRUCTIONS (continued)

Sand loading:

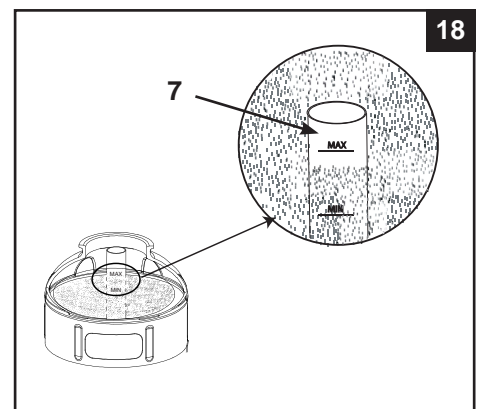
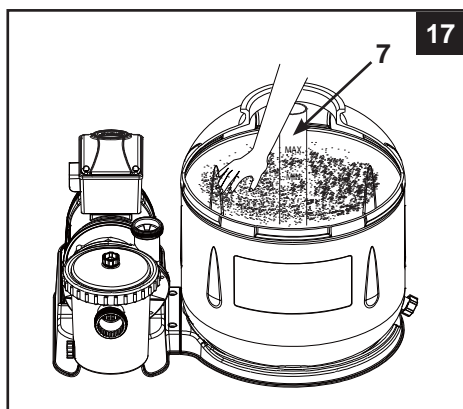
IMPORTANT: Use No. 20 silica sand or glass sand with particle size range 0.45 to 0.85 mm (0.018 to 0.033 inches) and a Uniformity Coefficient less than 1.75. Only use the filter media specified by the manufacturer.

NOTE: Before loading the tank with sand, ensure the center pipe hub assembly is securely in place at the bottom of the tank, and vertically centered inside the tank.

1. Place the sand shield (6) over the top of the center pipe. Pour the sand into the tank at a slow rate (see drawing 15).
2. Fill the tank approximately half way, remove the sand shield (6) from the top (see drawing 16).



3. Evenly distribute the sand inside the tank, then fill the tank with some water to provide a cushioning effect when the remaining sand is poured in. This prevents the center pipe hub (7) from excessive shock (see drawing 17). Place the sand shield (6) back and continue to pour the sand into the tank.
4. Sand shall be filled between the "MAX" and "MIN" marked gauge on the center pipe. Evenly spread and level out the sand by hand (see drawings 17 & 18).



5. Remove the sand shield (6).
6. Wash away all sand around the top edge of the tank.

SETUP INSTRUCTIONS (continued)

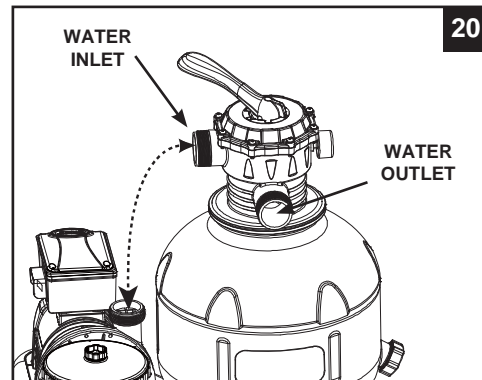
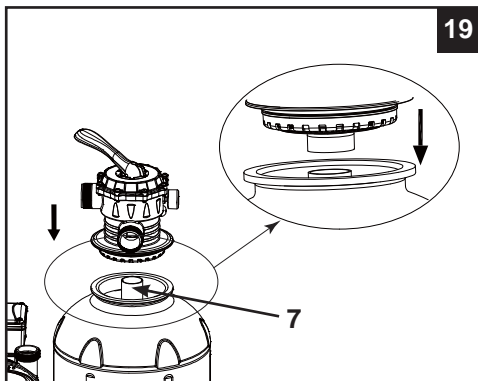
⚠ WARNING

Improper tank valve and clamp assembly could cause the valve and clamp to blow off and cause serious injury, property damage or death.

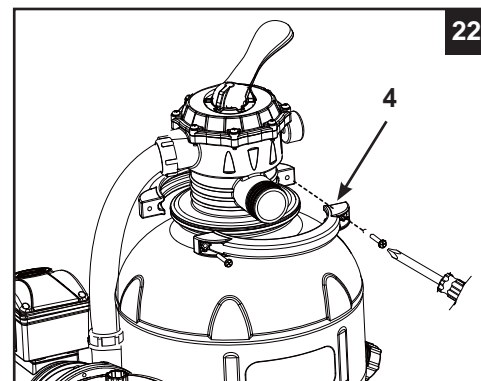
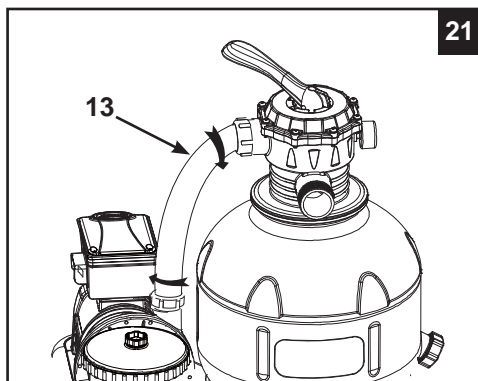
6-way valve installation:

1. Lower the 6-way valve over the tank slowly, and ensure the bypass pipe protruding underneath the 6-way valve fits securely into the center pipe hub (7) top opening (see drawing 19).

IMPORTANT: There are three hose connection ports on the 6-way valve, ensure the outlet connection (from filter to the pool) on the valve is facing towards the pool, and the inlet connection (from motor to valve) is aligned with the motor outlet (see drawing 20).



2. Place an L-shape o-ring (11) on the 6-way valve inlet connection and on the pump motor outlet. In a clockwise motion connect the sand filter interconnecting hose (13) between the pump motor outlet and the 6-way valve inlet connection (see drawing 21).
3. Remove the clamp bolt, and install the clamp around the tank and 6-way valve flanges, then replace the clamp bolt and use a phillips screwdriver (not included) to tighten it (see drawing 22).



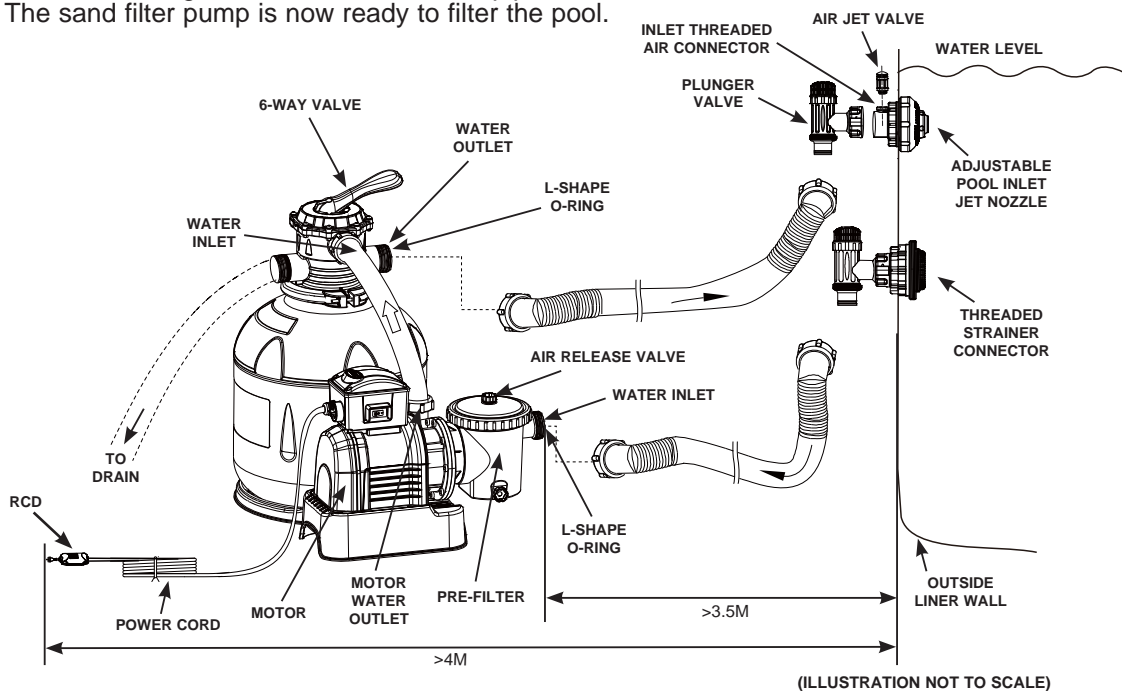
SAND FILTER PUMP HOSE CONNECTION SETUP

⚠ WARNING

- Keep this product more than 3.5m away from the pool.
- Keep the plug of this product more than 4m away from the pool and at a height of 1.2m at least.
- Position this product away from the pool, so as to prevent children from climbing on it and accessing the pool.

The 6-way valve has three hose connection ports.

1. Connect one hose (12) end to the pre-filter inlet and the other end of the hose to the lower plunger valve with the strainer. Ensure the hose nuts are securely tightened.
2. Connect the second hose (12) between the 6-way valve water outlet and the upper plunger valve with the inlet-nozzle. Ensure the hose nuts are securely tighten.
3. The third hose connection port (drain/waste outlet) on the 6-way valve shall be directed to a proper draining receptacle using a hose or pipe (not provided). Remove the drain cap before attaching the drain/waste hose or pipe.
4. The sand filter pump is now ready to filter the pool.



According to the International Standard, IEC 60364-7-702, on electrical installation of swimming pools and other basins equipment, the following installation distances must be respected:

- The filter pump must be positioned more than 3.5m away from the pool walls.
- The power cord plug to the 220-240 volt electrical power source of the filter pump must be positioned more than 4m away from the pool walls.

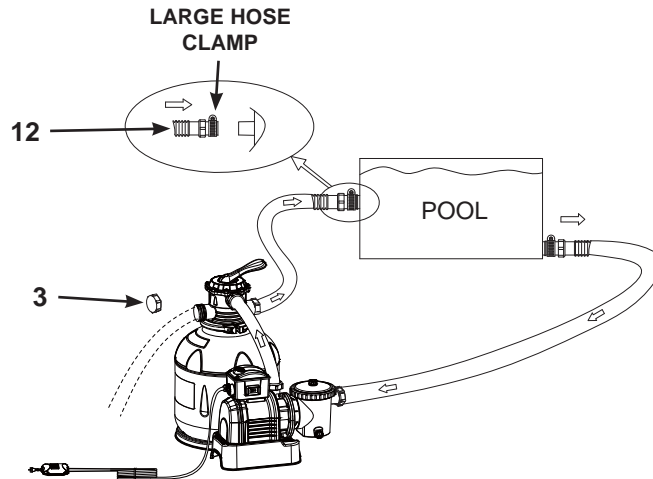
Check your local authorities to determine the appropriate standard and requirements for "electrical installation of swimming pools and basins equipment". The following table is for reference only:

| Country/Region | Standard Number |
|-----------------|-------------------|
| International | IEC 60364-7-702 |
| France | NF C 15-100-7-702 |
| Germany | DIN VDE 0100-702 |
| The Netherlands | NEN 1010-702 |

SAND FILTER PUMP HOSE CONNECTION SETUP (continued)

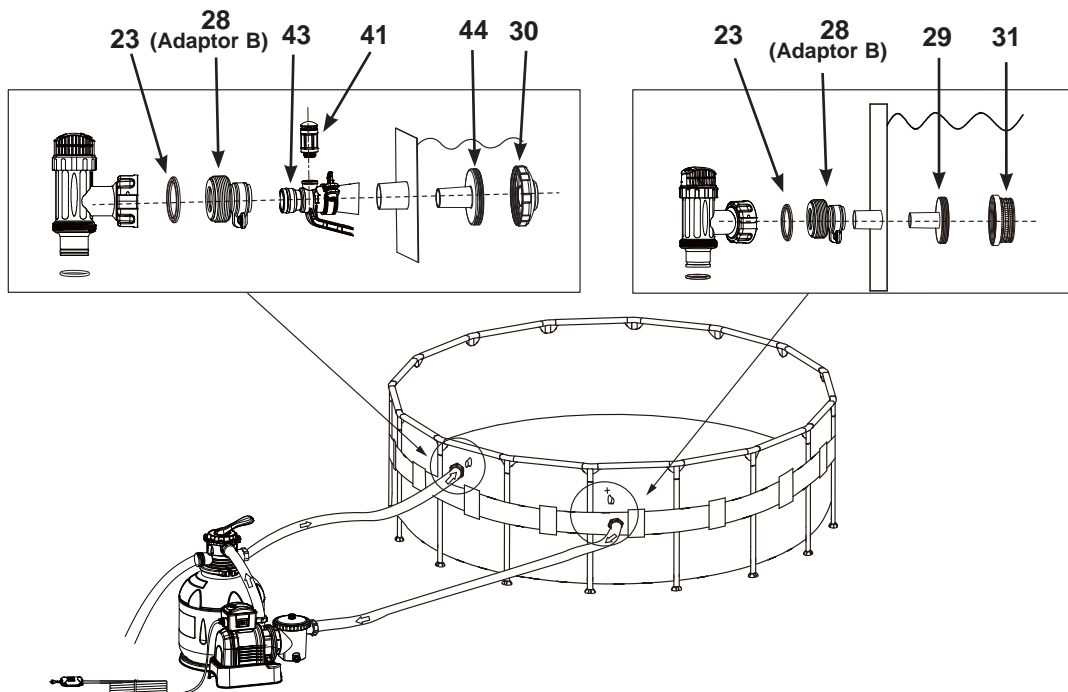
For NON-INTEX pool:

Connect the hose (12) to the pool inlet/outlet connection with a large hose clamp. Tighten securely.



For INTEX pool with 1-1/4" (32mm) connections/hoses:

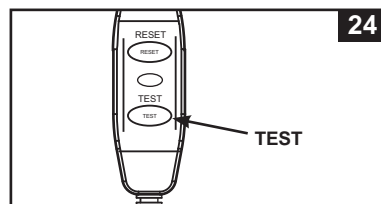
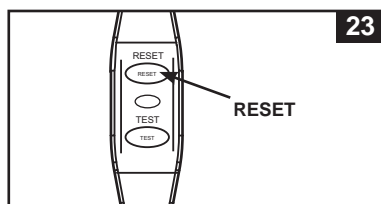
Make sure the air jet valve (41) is securely tighten onto the pool inlet air adaptor (43) and facing up.



OPERATING INSTRUCTIONS

RCD OPERATING INSTRUCTIONS

- Plug RCD into power outlet. Press RESET button on the RCD plug. Indicator should be "ON". See FIG. 23.
- Press TEST button on the RCD plug. Indicator should be "OFF". See FIG. 24.
- Press RESET button for use. Do not use if test fails. Contact a qualified electrician to determine cause of failure.



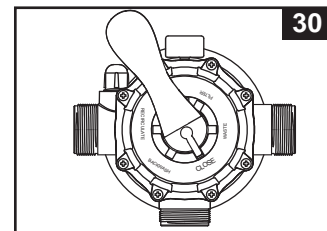
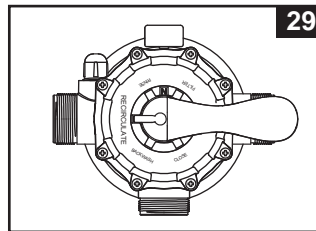
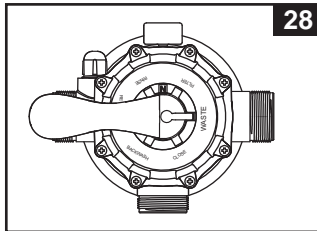
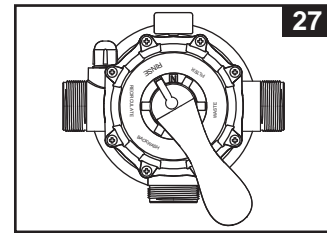
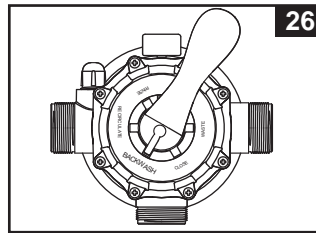
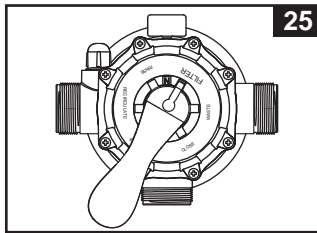
⚠ WARNING

- Risk of electric shock. Connect this product only to a grounding type receptacle protected by a ground-fault circuit interrupter (GFCI) or residual current device (RCD). Contact a qualified electrician if you cannot verify that the receptacle is protected by a GFCI/RCD. Use a qualified electrician to install the GFCI/RCD, which has a maximum rate of 30mA. Do not use a portable residual current device (PRCD).
- To reduce the risk of electric shock, do not use extension cords, timers, plug adaptors or converter plugs to connect unit to electric supply; provide a properly located outlet.
- Do not attempt to plug in or unplug this product while standing in water or when your hands are wet.
- Never operate this product above the maximum working pressure stated on the filter tank.
- Always switch off pump before changing the 6-way valve position.
- Operating this product without water flowing through the system can cause a build up of hazardous pressure which can result in an explosive situation, serious injury, property damage or death.
- Never test this pump with compressed air. Never operate the system with water temperature above 35°C (95°F).

6-way valve positions and function:

| Valve Position | Function | Water Flow Direction |
|--|---|--|
| FILTER (see drawing 25) | Normal filtration and regular vacuuming of pool | From pump through filter media to pool |
| BACKWASH (see drawing 26) | Reverses water flow to clean filter media | From pump through filter media to valve waste/drain outlet |
| RINSE (see drawing 27) | For initial startup cleaning of the sand, and leveling the sand bed after backwashing | From pump through filter media to valve waste/drain outlet |
| WASTE (see drawing 28) | For vacuuming directly to waste, lowering pool level or to drain the pool | From pump to valve waste/drain outlet bypassing the filter media |
| RECIRCULATE (see drawing 29) | For circulating water back to pool without going through the filter media | From pump through valve to pool bypassing the filter media |
| CLOSED (see drawing 30) | Shuts off all flow to filter and pool "Do not use this setting with pump running" | |

OPERATING INSTRUCTIONS (continued)



Initial startup and operation:

Before operating, be sure that:

- All the hoses have been connected and tightened securely, and correct amount of filter sand have been loaded.
- The entire system is connected to a grounding type receptacle protected by a ground-fault circuit interrupter (GFCI) or residual current device (RCD).

⚠ CAUTION

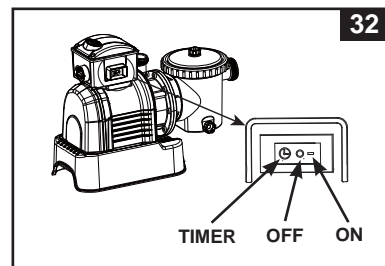
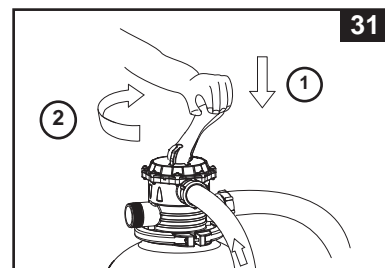
The filter control valve has a closed position. The pump should never be on when the valve is in the closed position. If the pump is operated with the valve closed, explosive situation could exist.

1. Turn both plunger valve handles fully counter-clockwise until they stop. This opens the valves to allow water to flow into the sand filter pump. With water flowing into sand filter pump, the water pressure will allow the air trapped inside to escape from the air release valves (19). When all the air has escaped water will flow out of the valves (19). When this occurs gently finger tighten the valves (19) in a clockwise direction.

IMPORTANT: To prevent air lock, open the lower plunger valve (connected inlet hose) first and then the upper plunger valve (connected outlet hose). Open the air release valves, wait until water starts to flow out of the air release valves, close air release valves.

2. Ensure the drain/waste outlet on the 6-way valve is not covered and directed to a proper draining receptacle.
3. **BACKWASH** - Ensure the pump is off, depress the 6-way valve and turn it to the "BACKWASH" position (see drawings 26 & 31).
IMPORTANT: To prevent damage to the 6-way valve, always depress the valve handle before turning. Always switch off pump before changing the 6-way valve position.
4. Switch on the pump (see drawing 32). Water is circulating backward through the sand media and to waste/drain outlet. Backwash until a clear flow of water is observed in the waste/drain outlet or through the drain sediment window.

NOTE: The initial backwash of the filter is recommended to remove any impurities or fine sand particles in the sand media.



OPERATING INSTRUCTIONS (continued)

5. Switch off the pump, change the 6-way valve to "RINSE" position (**see drawing 27**).
6. Switch on the pump and run the pump for about one minute to level out the sand bed after backwashing the sand media.
7. Switch off the pump, change the 6-way valve to "FILTER" position (**see drawing 25**).
8. Switch on the pump. The system is now operating in the normal filtering mode. Run the pump until the desired pool water clearance is obtained and no more than 12 hours per day.
9. Record the initial pressure gauge reading when the filter media is clean.
NOTE: During initial setup of the system, it may be necessary to backwash frequently due to unusual heavy dirt present in the water and sand. After that, as the filter removes dirt and impurities from the pool water, the accumulated dirt in the sand media will cause the pressure to rise and the flow to diminish. If there is no vacuuming device attached to the system and the pressure gauge reading is in the yellow zone it is time to backwash the sand media, see "BACKWASH" under "initial startup and operation" section.
 Vacuuming device (i.e. Intex auto pool cleaner) attached to the system may also cause the flow to diminish and the pressure to rise. Remove any vacuuming device from the system and check if the pressure gauge reading has dropped from the yellow zone to the green zone.
10. Monitor the pressure gauge reading, and check that the inlet and outlet openings are not obstructed on a weekly basis. If the pressure gauge indicates yellow it is time to backwash the filter media.

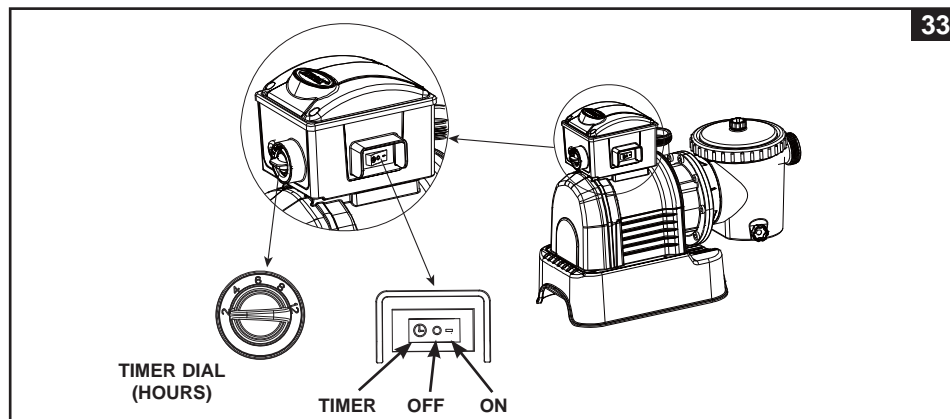
Operating the system under "TIMER" mode or manually:

To operate the sand filter pump in "FILTER" mode under "TIMER" control:

- A. Set the timer dial to the desired operating hours. See operation time table (**see drawing 33**).
- B. Turn on the pump by pressing the switch to "⊕" position, the sand filter pump is now filtering the water and will stop after the operating hours are completed. The built-in timer will now operate for the number of hours selected at the same time each day.
- C. Operating hours can be re-adjusted if necessary. Follow step A – B.

To operate the sand filter pump manually (without the "TIMER" mode):

- A. Turn on the pump by pressing the switch to "-" position, the sand filter pump is now filtering the water.
- B. To turn off the pump, press the switch to "O" position.



IMPORTANT

If you continue to experience difficulty, please contact our Consumer Service Department for assistance. See separate "Authorized Service Centers" sheet.

INTEX POOLS OPERATING TIME TABLE (WITHOUT INTEX SALTWATER SYSTEM)

This table shows the required operating time for average use of the sand filter pump with above ground pools.

If the system is attached to an "Intex Saltwater System" unit, the filter pump running time should be longer than the required operating time of the Intex Saltwater System unit.

| Pool Size | Water Capacity (Calculated at 90% for Frame Pool and 80% for Easy Set & Oval Pool) | | Sand filter pump operating time (For one cycle) / (Hours) | | | |
|---|--|----------|---|-------------|-------------|---|
| | (Gals) | (Liters) | SF80220RC-1 | SF70220RC-1 | SF60220RC-1 | |
| INTEX ABOVE GROUND POOLS (AGP's) | | | | | | |
| EASY SET® POOL | 457cmx84cm(15'x33") | 2587 | 9792 | 2 | | |
| | 457cmx91cm(15'x36") | 2822 | 10681 | 2 | | |
| | 457cmx107cm(15'x42") | 3284 | 12430 | 2 | | |
| | 457cmx122cm(15'x48") | 3736 | 14141 | 4 | | |
| | 488cmx107cm(16'x42") | 3754 | 14209 | 4 | | |
| | 488cmx122cm(16'x48") | 4273 | 16173 | 4 | | |
| | 488cmx132cm(16'x52") | 4614 | 17464 | 4 | | |
| | 549cmx107cm(18'x42") | 4786 | 18115 | 4 | 2 | 2 |
| 549cmx122cm(18'x48") | 5455 | 20647 | 4 | 2 | 2 | |
| ROUND METAL FRAME POOL | 457cmx91cm(15'x36") | 3282 | 12422 | 2 | | |
| | 457cmx107cm(15'x42") | 3861 | 14614 | 4 | | |
| | 457cmx122cm(15'x48") | 4440 | 16805 | 4 | | |
| | 488cmx122cm(16'x48") | 5061 | 19156 | 4 | | |
| | 549cmx122cm(18'x48") | 6423 | 24311 | 6 | 4 | 4 |
| | 640cmx132cm(21'x52") | 9533 | 36082 | 6 | 4 | 4 |
| ULTRA FRAME POOL | 732cmx132cm(24'x52") | 12481 | 47241 | 8 | 6 | 6 |
| | 488cmx122cm(16'x48") | 5061 | 19156 | 4 | | |
| | 549cmx122cm(18'x48") | 6423 | 24311 | 4 | 4 | 4 |
| | 549cmx132cm(18'x52") | 6981 | 26423 | 6 | 4 | 4 |
| | 610cmx122cm(20'x48") | 7947 | 30079 | 6 | 4 | 4 |
| | 671cmx132cm(22'x52") | 10472 | 39637 | 8 | 4 | 4 |
| GRAPHITE GRAY PANEL POOL SET™ | 732cmx132cm(24'x52") | 12481 | 47241 | 8 | 6 | 6 |
| | 792cmx132cm(26'x52") | 14667 | 55515 | 12 | 8 | 8 |
| | 478cmx124cm(15'8"x49") | 4440 | 16805 | 4 | | |
| OVAL FRAME POOL | 508cmx124cm(16'8"x49") | 5061 | 19156 | 4 | 4 | 2 |
| | 569cmx135cm(18'8"x53") | 6981 | 26423 | 6 | 4 | 4 |
| RECT. ULTRA FRAME POOL | 305cmx549cmx107cm(10'x18'x42") | 2885 | 10920 | 2 | | |
| | 366cmx610cmx122cm(12'x20'x48") | 4393 | 16628 | 4 | 2 | 2 |
| RECT. ULTRA FRAME POOL | 274cmx457cmx122cm(9'x15'x48") | 3484 | 13187 | 4 | 2 | 2 |
| | 274cmx549cmx132cm(9'x18'x52") | 4545 | 17203 | 4 | 2 | 2 |
| | 305cmx610cmx132cm(10'x20'x52") | 5835 | 22085 | 4 | 4 | 2 |
| | 366cmx732cmx132cm(12'x24'x52") | 8403 | 31805 | 6 | 4 | 4 |
| | 488cmx975cmx132cm(16'x32'x52") | 14364 | 54368 | 12 | 8 | 6 |

NOTE: The "12" hours timer setting position has an additional 20 minutes over the actual setting.

NON-INTEX POOLS OPERATING TIME TABLE

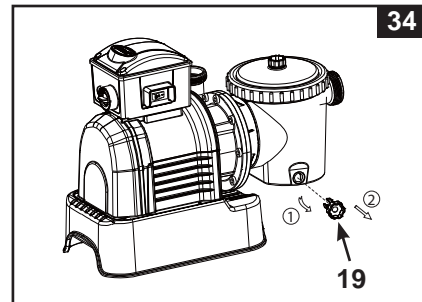
This table shows the required operating time for average use of the sand filter pump with above ground pools.

| Water Capacity | | Sand filter pump operating time (For one cycle) / (Hours) | | |
|----------------|----------|---|-------------|-------------|
| (Gals) | (Liters) | SF80220RC-1 | SF70220RC-1 | SF60220RC-1 |
| 3000 | 11355 | 2 | | |
| 4000 | 15140 | 4 | 2 | 2 |
| 4440 | 16805 | 4 | 2 | 2 |
| 5000 | 18925 | 4 | 2 | 2 |
| 6000 | 22710 | 4 | 4 | 2 |
| 7000 | 26495 | 6 | 4 | 4 |
| 8000 | 30280 | 6 | 4 | 4 |
| 9000 | 34065 | 6 | 4 | 4 |
| 10000 | 37850 | 8 | 6 | 4 |
| 11000 | 41635 | 8 | 6 | 4 |
| 12000 | 45420 | 8 | 6 | 6 |
| 13000 | 49205 | 12 | 6 | 6 |
| 14000 | 52990 | 12 | 8 | 6 |
| 15000 | 56775 | 12 | 8 | 6 |
| 16000 | 60560 | 12 | 8 | 8 |
| 17000 | 64345 | 12 | 8 | 8 |
| 18000 | 68130 | 12 | 12 | 8 |
| 19000 | 71915 | 12 | 12 | 8 |
| 20000 | 75700 | | 12 | 8 |
| 21000 | 79485 | | 12 | 12 |
| 22000 | 83270 | | 12 | 12 |
| 23000 | 87055 | | 12 | 12 |
| 24000 | 90840 | | 12 | 12 |
| 25000 | 94625 | | 12 | 12 |
| 26000 | 98410 | | 12 | 12 |

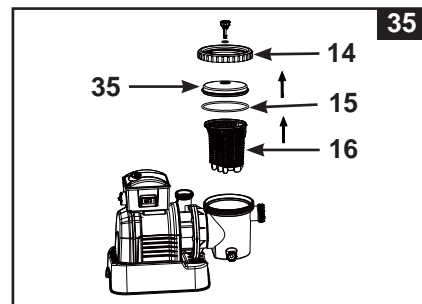
MOTOR PRE-FILTER CLEANING AND MAINTENANCE

It is essential to change any damaged element or set of elements as soon as possible. Use only parts approved by the manufacturer.

1. Make sure the filter pump is switched off, then disconnect the power cord from the electrical outlet.
2. Turn both plunger valve handles fully clockwise until they stop. This closes the valve, prevents the water from flowing out of the pool.
3. Release the pressure first by opening the sediment release valve (19) located on the lower side of the pre-filter housing (see drawing 34).



4. In a counter-clockwise motion unscrew the leaf trap cover (14), then remove the basket (16) and leaf trap o-ring (15) from the pre-filter housing (see drawing 35).



5. Empty and flush the basket using a garden hose, may use a plastic brush to remove deposits from the basket. Do not use metal brush.
6. Clean and rinse the inside of the pre-filter housing and the leaf trap O-ring with a garden hose.
7. Reinstall the leaf trap O-ring, basket and leaf trap cover to the pre-filter housing.
8. Close the sediment release valve (19).

All filter and filter media shall be inspected regularly to ensure that there is no build-up of debris thus preventing a good filtration. Disposal of any used filter media should be in accordance with applicable local regulation and legislation.

POOL CARE & CHEMICALS

- All pools require care to keep the water clear and hygienically clean. With proper chemical control, your filter will help attain this objective. Consult your pool supply dealer for instructions regarding the proper use of chlorine, algaecide and other chemical agents required for sparkling clear water.
- Keep pool chemicals away from children.
- Do not replenish chemicals in pool while pool is occupied. Skin or eye irritations could occur.
- Daily pH checking and chemical treatment of the water is very important and cannot be overemphasized. Chlorine, algaecide and maintenance of proper pH levels are required when filling the pool as well as during the season. Consult your local swimming pool supply store for instructions.
- The season's first filling of the pool may have brackish water requiring extra water additives and extra filtering time. Do not allow swimming in pool until the pH level is balanced. Consult your local swimming pool supply store for instructions.
- Chlorinated water may damage lawns, gardens or shrubbery as children play in the pool and splash water outside the pool. Lawn areas underneath the pool liner will be destroyed. Note that some types of grass may grow through the liner.
- Filter run time depends on pool size, weather and usage level. Experiment with various run times so as to produce clean clear water.
- European standard EN16713-3 lists some additional pool water quality and water treatment information that can be found at www.intexcorp.com/support.

CAUTION

Concentrated chlorine solutions may damage the pool liner. Always follow the chemical manufacturer's directions, and the health and hazard warnings.

LONG TERM STORAGE & WINTERIZATION

CAUTION

Allowing the water to freeze will damage the sand filter and void the warranty. If anti-freeze solution is needed, use only propylene glycol. Propylene glycol is non-toxic and will not damage plastic system components; other anti-freezes are highly toxic and may damage plastic components in the system.

1. Before emptying your pool for long term storage, or relocation, be sure the water is directed towards an acceptable drain water receptacle away from the house. Check local regulations for specific directions regarding disposal of swimming pool water.
2. Switch off the unit, and disconnect power cord from electrical outlet.
3. When the pool is empty, disconnect all hoses from pump and plunger valves and remove the strainers/plunger valves from the pool wall.
4. In a counter clockwise motion unscrew the drain valve cap **(9)** from the drain valve to thoroughly drain the tank. The drain valve is located at the bottom of the filter tank.
5. Disassemble the pump motor from the tank base.
6. Leave sand filter pump pieces and hoses outside to thoroughly air dry.
7. Coat the following o-rings and washers with petroleum jelly for long term storage:
 - L-shape o-ring **(11 & 18)**.
 - Pump hose O-rings **(22)**.
 - Strainer valve assembly step washers **(23)**.
 - Flat strainer rubber washers **(25)**.
8. Depress the 6-way valve handle and rotate so as to set the pointer on the valve top "N" position. This allows the water to drain from the valve. Leave the 6-way valve in this inactive position.
9. It is best to place all dry pieces and pump motor in the original packaging for storage. To avoid condensation or corrosion problem, do not cover or wrap pump motor with plastic bags.
10. Store the pump motor and accessories in a dry place. The storage's temperature should be controlled, between 0 degrees Celsius (32 degrees Fahrenheit) and 40 degrees Celsius (104 degrees Fahrenheit).
11. Cover the tank with a tarpaulin or plastic sheet to protect it from the weather.

TROUBLESHOOTING GUIDE

| TROUBLE | CAUSE | SOLUTION |
|--|---|--|
| FILTER MOTOR FAILS TO START | <ul style="list-style-type: none"> The motor is not plugged in. The GFCI/RCD circuit breaker is tripped. Motor too hot and overload protection is shut off. | <ul style="list-style-type: none"> Line cord must be plugged into a 3 wire outlet that is protected by a Class A Ground Fault Circuit Interrupter, or RCD. Reset circuit breaker. If circuit breaker trips repeatedly, your electrical system may have a defect. Turn off circuit breaker and call an electrician to correct the problem. Let the motor cool down and restart again. |
| FILTER DOESN'T CLEAN POOL | <ul style="list-style-type: none"> Improper chlorine or pH levels. No filtering media in tank. Wrong 6-way valve setting position. Excessively dirty pool. The strainer screen is restricting the water flow. | <ul style="list-style-type: none"> Adjust the chlorine and pH level. Consult your local swimming pool supply stores. Load with filter sand, see "sand loading instructions". Set valve to "FILTER" position. Operate the filter for longer periods. Clean the strainer screen at the inlet. |
| FILTER DOESN'T PUMP WATER OR FLOW IS VERY SLOW | <ul style="list-style-type: none"> Clogged inlet or discharge. An air leak on the intake line. Excessively dirty pool. Sand media clogged with dirt. Nozzle and strainer connections are reversed. Crusting or caking on the filtering sand surface. Pool vacuuming device attached to the system. Inlet threaded air connector connected to the wrong hole on the liner. | <ul style="list-style-type: none"> Clear any obstructions in the intake hose by discharging it inside pool wall. Tighten hose nuts, check hoses for damage, check pool water level. Clean the pre-filtering basket more often. Backwash filter. Install the nozzle at the upper position of the pool inlet, and the strainer at the lower position of the pool outlet. Remove about 1" of sand if necessary. Remove any pool vacuuming device attached to the system line. Make sure the inlet threaded air connector is connected to the pool inlet upper hole. |
| PUMP DOESN'T WORK | <ul style="list-style-type: none"> Low water level. Strainer screen clogged up. An air leak on the intake hose. Faulty motor or the impeller is jammed. | <ul style="list-style-type: none"> Fill pool to correct water level. Clean strainer screens at pool inlet. Tighten hose nuts, check hose for damage. Contact Intex service center. |
| 6-WAY VALVE/COVER LEAKING | <ul style="list-style-type: none"> Sand tank o-ring missing. Sand tank o-ring dirty. Flange clamp not tight. 6-way valve damage. | <ul style="list-style-type: none"> Remove 6-way valve cover and ensure the o-ring is in place. Clean sand tank o-ring with garden hose water. Tighten the clamp with wrench supplied. Contact Intex service center. |
| HOSE LEAKING | <ul style="list-style-type: none"> Hose nut not securely tight. Hose connection fitting o-ring/L-shape o-ring missing. | <ul style="list-style-type: none"> Tighten/reinstall hose nut. Ensure o-ring/L-shape o-ring is in place and not damaged. |
| TIMER IS INACCURATE OR TIMER CAN'T BE SET | <ul style="list-style-type: none"> Possible inner timer defective. | <ul style="list-style-type: none"> Turn off the pump and restart 5 minutes later. Re-set the timer. Contact Intex service center. |
| PRESSURE GAUGE DOESN'T WORK | <ul style="list-style-type: none"> Clogged inlet of the pressure gauge. Pressure gauge damage. | <ul style="list-style-type: none"> Clear any obstructions in the intake by unscrewing it from the 6-way valve. Contact Intex service center. |
| SAND IS FLOWING BACK INTO THE POOL | <ul style="list-style-type: none"> Sand is too small. Sand bed is calcified. | <ul style="list-style-type: none"> Use only No. 20 silica sand with particle size range 0.45 to 0.85 mm (0.018 to 0.033 inches) and a Uniformity Coefficient less than 1.75. Change sand. |
| INLET THREADED AIR CONNECTOR/AIR JET VALVE LEAKING | <ul style="list-style-type: none"> Plunger valve not well-fitted. Air jet valve is not tight and facing up. Air jet valve internal seal blocked. Air jet valve internal seal dirty. Air jet valve broken. | <ul style="list-style-type: none"> Tighten or reinstall plunger valve. Tighten air jet valve and make sure it's facing up. Turn pump ON and run for few seconds, then turn OFF, repeat 3 times. Remove air jet valve, flush dirt out with water and replace valve back. Replace a new air jet valve. |

COMMON POOL PROBLEMS

| PROBLEM | DESCRIPTION | CAUSE | SOLUTION |
|--------------------------|---|---|---|
| ALGAE | <ul style="list-style-type: none"> • Greenish water. • Green or black spots on pool liner. • Pool liner is slippery and/or has a bad odor. | <ul style="list-style-type: none"> • Chlorine and pH levels need adjustment. | <ul style="list-style-type: none"> • Super chlorinate with shock treatment. Correct pH to your pool store's recommended level. • Vacuum pool bottom. • Maintain proper chlorine level. |
| COLORED WATER | <ul style="list-style-type: none"> • Water turns blue, brown, or black when first treated with chlorine. | <ul style="list-style-type: none"> • Copper, iron or manganese in water being oxidized by the added chlorine. This is Common. | <ul style="list-style-type: none"> • Adjust pH level to the recommended level. • Run filter until water is clear. |
| FLOATING MATTER IN WATER | <ul style="list-style-type: none"> • Water is cloudy or milky. | <ul style="list-style-type: none"> • "Hard water" caused by a too high pH level. • Chlorine content is low. • Foreign matter in water. | <ul style="list-style-type: none"> • Correct the pH level. Check with your pool dealer for advice. • Adjust the chlorine level. |
| CHRONIC LOW WATER LEVEL | <ul style="list-style-type: none"> • Level is lower than on previous day. | <ul style="list-style-type: none"> • Rip or hole in pool liner or hoses. • The drain valves are loose. | <ul style="list-style-type: none"> • Repair with a patch kit. • Finger tighten all caps. |
| SEDIMENT ON POOL BOTTOM | <ul style="list-style-type: none"> • Dirt or sand on pool floor. | <ul style="list-style-type: none"> • Heavy use, getting in and out of pool. | <ul style="list-style-type: none"> • Use Intex pool vacuum to clean bottom of pool. |
| SURFACE DEBRIS | <ul style="list-style-type: none"> • Leaves, insects etc. | <ul style="list-style-type: none"> • Pool too close to trees. | <ul style="list-style-type: none"> • Use Intex pool skimmer. |

GENERAL AQUATIC SAFETY

Water recreation is both fun and therapeutic. However, it involves inherent risks of injury and death. To reduce your risk of injury, read and follow all product, package and package insert warnings and instructions. Remember, however, that product warnings, instructions and safety guidelines cover some common risks of water recreation, but do not cover all risks and dangers.

For additional safeguards, also familiarize yourself with the following general guidelines as well as guidelines provided by nationally recognized Safety Organizations:

- Demand constant supervision. A competent adult should be appointed as a "lifeguard" or water watcher, especially when children are in and around the pool.
- Learn to swim.
- Take the time to learn CPR and first aid.
- Instruct anyone who is supervising pool users about potential pool hazards and about the use of protective devices such as locked doors, barriers, etc.
- Instruct all pool users, including children what to do in case of an emergency.
- Always use common sense and good judgement when enjoying any water activity.
- Supervise, supervise, supervise.

LIMITED WARRANTY

Your Sand Filter Pump has been manufactured using the highest quality materials and workmanship. All Intex products have been inspected and found free of defects prior to leaving the factory. This limited warranty applies only to the Sand Filter Pump and accessories listed below.

This limited warranty is in addition to, and not a substitute for, your legal rights and remedies. To the extent that this warranty is inconsistent with any of your legal rights, they take priority. For example, consumer laws across the European Union provide statutory warranty rights in addition to the coverage you receive from this limited warranty: for information on EU-wide consumer laws, please visit the European Consumer Center website at http://ec.europa.eu/consumers/ecc/contact_en/htm.

The provisions of this limited warranty apply only to the original purchaser and are not transferable. This limited warranty is valid for the period noted below from the date of the initial retail purchase. Keep your original sales receipt with this document, as proof of purchase will be required and must accompany warranty claims or the limited warranty will be invalid.

Sand Filter Pump Warranty – 2 Years

Hoses, Plunger Valves & Fittings Warranty – 180 days

If you find a manufacturing defect in the Sand Filter Pump during the warranty periods noted above, please contact the appropriate Intex Service Center listed in the separate "Authorized Service Centers" sheet. If the item is returned as directed by the Intex Service Center, the Service Center will inspect the item and determine the validity of the claim. If the item is covered by the provisions of the warranty, the item will be repaired or replaced, with the same or comparable item (at Intex's choice) at no charge to you.

Other than this warranty, and other legal rights in your country, no further warranties are implied. To the extent possibly in your country, in no event shall Intex be liable to you or any third party for direct or consequential damages arising out of the use of your Sand Filter Pump, or Intex or its agents' and employees' actions (including the manufacture of the product). If your country does not allow the exclusion or limitation of incidental or consequential damages, this limitation or exclusion does not apply to you.

You should note that this limited warranty does not apply in the following circumstances:

- If the Sand Filter Pump is subject to negligence, abnormal use or application, accident, improper operation, improper voltage or current contrary to operating instructions, improper maintenance or storage;
- If the Sand Filter Pump is subject to damage by circumstances beyond Intex's control, including but not limited to, ordinary wear and tear and damage caused by exposure to fire, flood, freezing, rain, or other external environmental forces;
- To parts and components not sold by Intex; and/or
- To unauthorized alterations, repairs or disassembly to the Sand Filter Pump by anyone other than Intex Service Center personnel.

The costs associated with the loss of pool water, chemicals or water damage are not covered by this warranty. Injury or damage to any property or person is not covered by this warranty.

Read the owner's manual carefully and follow all instructions regarding proper operation and maintenance of your Sand Filter Pump. Always inspect your product prior to use. This limited warranty will be void if use instructions are not followed.